



Chipsmall Limited consists of a professional team with an average of over 10 year of expertise in the distribution of electronic components. Based in Hongkong, we have already established firm and mutual-benefit business relationships with customers from,Europe,America and south Asia,supplying obsolete and hard-to-find components to meet their specific needs.

With the principle of “Quality Parts,Customers Priority,Honest Operation,and Considerate Service”,our business mainly focus on the distribution of electronic components. Line cards we deal with include Microchip,ALPS,ROHM,Xilinx,Pulse,ON,Everlight and Freescale. Main products comprise IC,Modules,Potentiometer,IC Socket,Relay,Connector.Our parts cover such applications as commercial,industrial, and automotives areas.

We are looking forward to setting up business relationship with you and hope to provide you with the best service and solution. Let us make a better world for our industry!



## Contact us

Tel: +86-755-8981 8866 Fax: +86-755-8427 6832

Email & Skype: info@chipsmall.com Web: www.chipsmall.com

Address: A1208, Overseas Decoration Building, #122 Zhenhua RD., Futian, Shenzhen, China



# SOLENOID PRODUCT SPECIFICATION

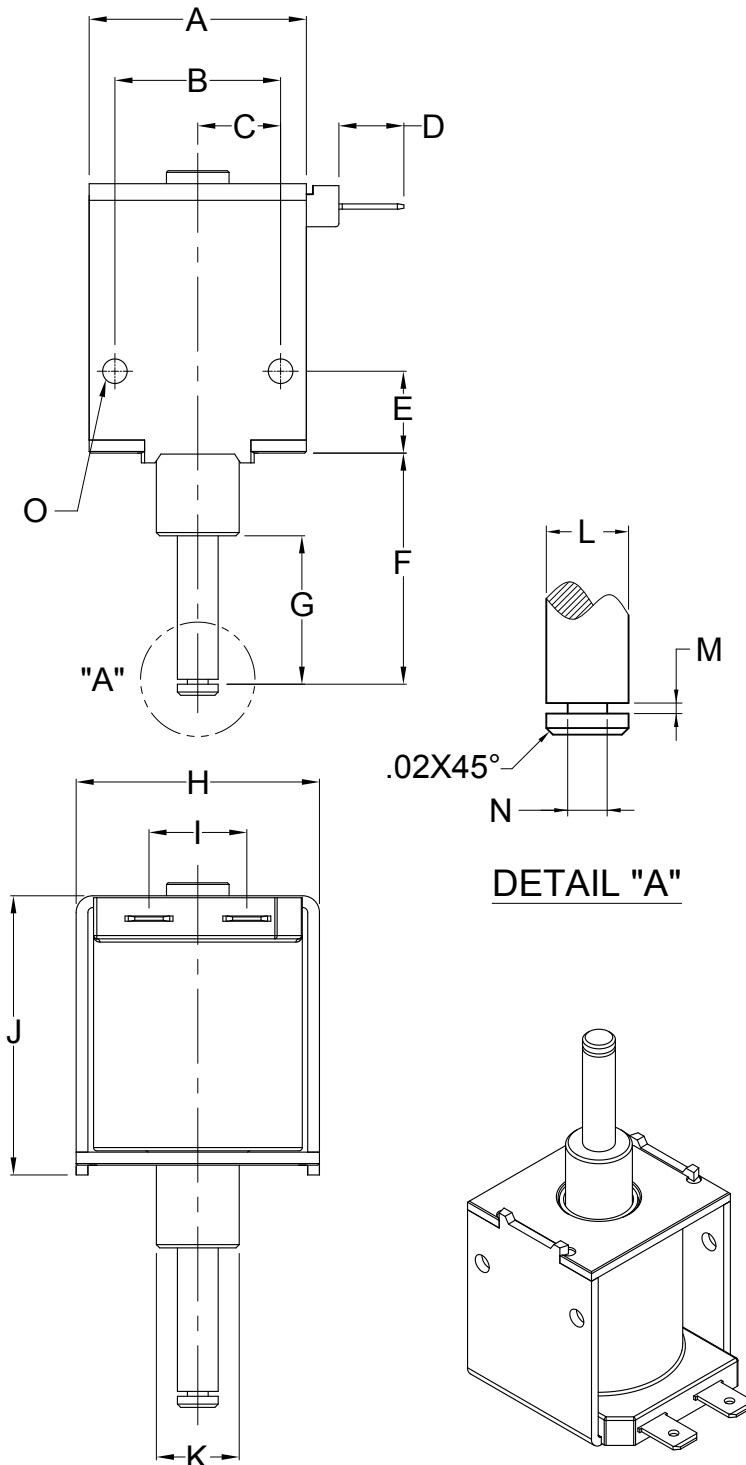
PART No.	VOLTAGE	DUTY CYCLE	POWER (W)	CURRENT (A)	DCR (Ω) *
DSOL-1341-240	240 VAC	17%, 4 Min. On Max.	235	0.98	246
DSOL-1341-120	120 VAC	17%, 4 Min. On Max.	220	1.85	65
DSOL-1341-24	24 VAC	17%, 4 Min. On Max.	220	9.2	2.6
DSOL-1341-12	12 VAC	17%, 4 Min. On Max.	250	21	0.57

\* OPERATION: POWER TO PULL.

\* DCR VALUES ARE ±10% AT 25°C

\* WEIGHT ARE 230 GRAMS ±10%

## 1. MECHANICAL DIMENSIONS :



UNIT: Inch

A = 1.312 ± .015

B = 1.000 ± .015

C = .500 REF.

D = .390 ± .015

E = .500 ± .015

F = 1.407 ± .015

G = .900 ± .015

H = 1.468 ± .015

I = .590 REF.

J = 1.609 ± .015

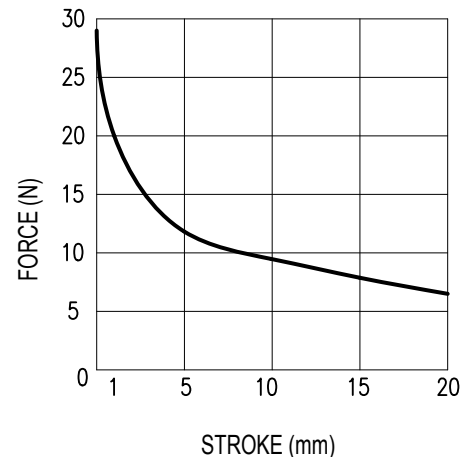
K = .500 ± .005

L = .247 + .003<sup>^</sup> - .005

M = .029 + .003<sup>^</sup> - .000

N = .125 + .003<sup>^</sup> - .000

O = 4XR.074±.002



INSULATION MATERIALS: UL CONSTRUCTION, CLASS B 130°C  
 LIFE EXPECTANCY: 100K CYCLES OPERATIONS  
 COULD OPERATED BY VDC, BUT PERFORMANCE WILL BE DIFFERENT.

LAYER TEST	IR. @500 Vdc.	HI-POT
(S-F) 2.8KVp. MIN.	COIL TO FRAME	@50/60Hz.,.2mA
TEST ONLY COIL	100 MOHM MIN.	COIL TO FRAME
		1500Vac.,60s