



Chipsmall Limited consists of a professional team with an average of over 10 year of expertise in the distribution of electronic components. Based in Hongkong, we have already established firm and mutual-benefit business relationships with customers from,Europe,America and south Asia,supplying obsolete and hard-to-find components to meet their specific needs.

With the principle of "Quality Parts,Customers Priority,Honest Operation,and Considerate Service",our business mainly focus on the distribution of electronic components. Line cards we deal with include Microchip,ALPS,ROHM,Xilinx,Pulse,ON,Everlight and Freescale. Main products comprise IC,Modules,Potentiometer,IC Socket,Relay,Connector.Our parts cover such applications as commercial,industrial, and automotives areas.

We are looking forward to setting up business relationship with you and hope to provide you with the best service and solution. Let us make a better world for our industry!



Contact us

Tel: +86-755-8981 8866 Fax: +86-755-8427 6832

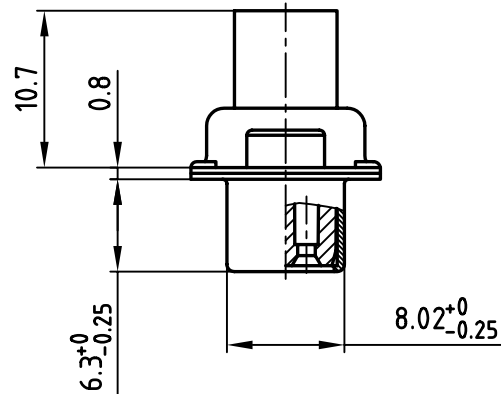
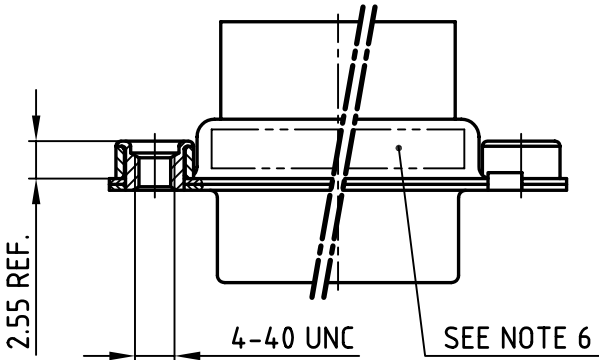
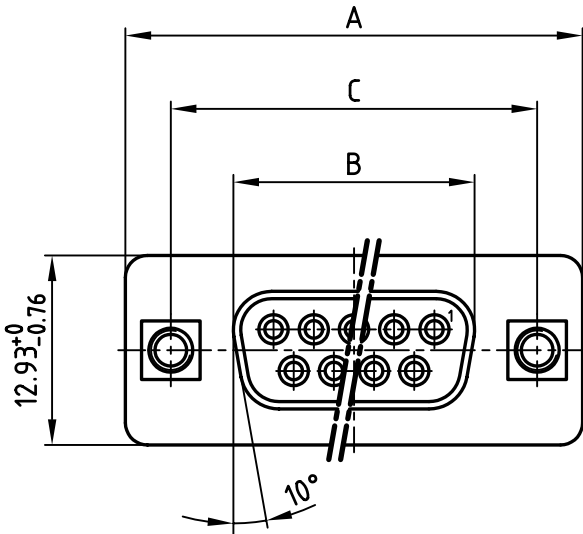
Email & Skype: info@chipsmall.com Web: www.chipsmall.com

Address: A1208, Overseas Decoration Building, #122 Zhenhua RD., Futian, Shenzhen, China



used for: D-SUB

POS.	A ^{-0.76}	B ^{-0.25}	C	Part-NO.
9	31.19	16.46	25.00 ^{+0.12} / _{-0.13}	DSS1XSXXG04X
15	39.52	24.79	33.30 ^{+0.15} / _{-0.1}	DSS2XSXXG04X
25	53.42	38.50	47.04 ±0.13	DSS3XSXXG04X
37	69.70	54.96	63.50 ±0.13	DSS4XSXXG04X



Directive 2002/95/EC
"RoHS"
Compliant

NOTES:

1. METAL SHELLS: STEEL; min. 315µm TIN over 40-80µm NICKEL
2. INSULATORS: PBT GF UL 94 V-0, BLACK
3. THREADED INSERT: COPPER ALLOY; min. 200µm TIN over 80µm NICKEL
4. COLLAR: COPPER ALLOY; min. 200µm TIN over 80µm NICKEL
5. MAXIMUM TORQUE VALUE FOR THREAD: 6 in.LB
6. CONNECTOR IS PART MARKED: PART-NO. CONEC ABC

APPROVAL # FREIGABE # DEBLOCAGE # AUTORIZACION # APPROVAL	
CUSTOMER APPROVAL DATE:	
NAME:	TITLE:
COMPANY NAME:	
APPROVAL # FREIGABE # DEBLOCAGE # AUTORIZACION # APPROVAL	

THIS DRAWING MAY NOT BE COPIED OR REPRODUCED IN ANY WAY, AND MAY NOT BE PASSED ON TO A THIRD PARTY WITHOUT WRITTEN PERMISSION.
 OWNERSHIP AND COPYRIGHT OF CONEC GmbH
 DO NOT ALTER CAD DRAWING BY HAND

tolerance		dim. in mm	
2005	date	name	
drawn	03.05	Schmidt	
appd.	03.05.	Kühle	
norm	DIN 41652		
d-old			
1 x b	Ä 2542	02.08.2006	Lehmen
a	Origin		
rev.	description	date	name



scale:	2:1	
material:	SEE NOTES	
title:	D-SUB FEMALE 9-37pos. CRIMP STYLE with threaded insert	
dwg no:	AutoCAD 2004	DIN-A
	16K1A1392	4
part no:	SEE TABLE	
		sh: 1/1