



Chipsmall Limited consists of a professional team with an average of over 10 year of expertise in the distribution of electronic components. Based in Hongkong, we have already established firm and mutual-benefit business relationships with customers from,Europe,America and south Asia,supplying obsolete and hard-to-find components to meet their specific needs.

With the principle of “Quality Parts,Customers Priority,Honest Operation,and Considerate Service”,our business mainly focus on the distribution of electronic components. Line cards we deal with include Microchip,ALPS,ROHM,Xilinx,Pulse,ON,Everlight and Freescale. Main products comprise IC,Modules,Potentiometer,IC Socket,Relay,Connector.Our parts cover such applications as commercial,industrial, and automotives areas.

We are looking forward to setting up business relationship with you and hope to provide you with the best service and solution. Let us make a better world for our industry!



Contact us

Tel: +86-755-8981 8866 Fax: +86-755-8427 6832

Email & Skype: info@chipsmall.com Web: www.chipsmall.com

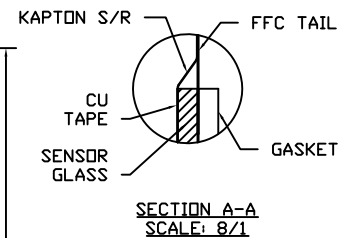
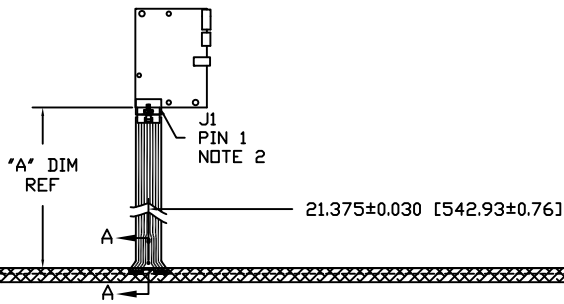
Address: A1208, Overseas Decoration Building, #122 Zhenhua RD., Futian, Shenzhen, China



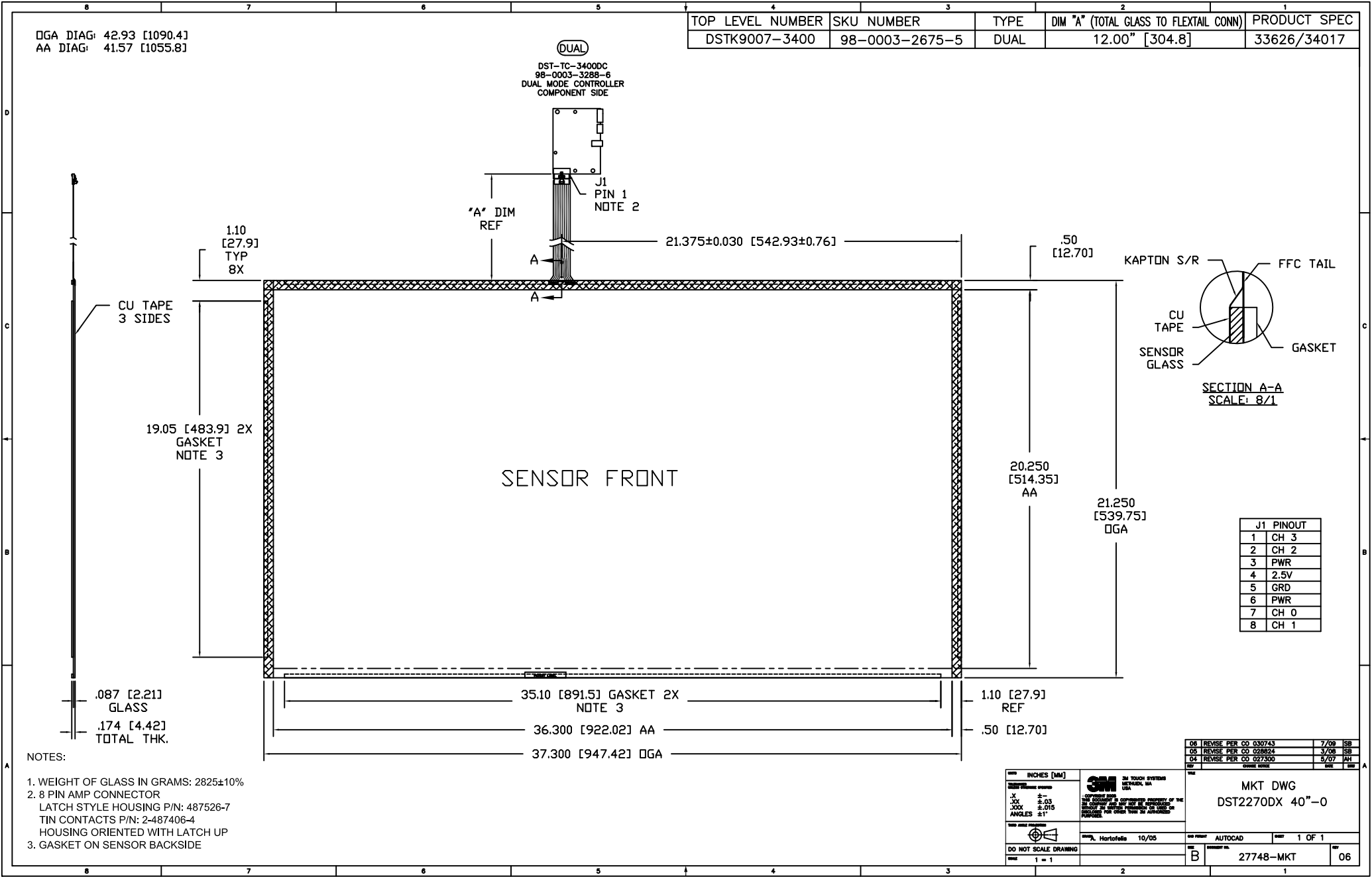
DGA DIAG: 42.93 [1090.4]
 AA DIAG: 41.57 [1055.8]

TOP LEVEL NUMBER	SKU NUMBER	TYPE	DIM "A" (TOTAL GLASS TO FLEXTAIL CONN)	PRODUCT SPEC
DSTK9007-3400	98-0003-2675-5	DUAL	12.00" [304.8]	33626/34017

DUAL
 DST-TC-3400DC
 98-0003-3288-6
 DUAL MODE CONTROLLER
 COMPONENT SIDE



J1 PINOUT	
1	CH 3
2	CH 2
3	PWR
4	2.5V
5	GRD
6	PWR
7	CH 0
8	CH 1



- NOTES:
- WEIGHT OF GLASS IN GRAMS: 2825±10%
 - 8 PIN AMP CONNECTOR
 LATCH STYLE HOUSING P/N: 487526-7
 TIN CONTACTS P/N: 2-487406-4
 HOUSING ORIENTED WITH LATCH UP
 - GASKET ON SENSOR BACKSIDE

INCHES [MM] .X ±.03 .XX ±.05 .XXX ±.015 ANGLES ±1°		06 REVISE PER CD 030743 7/00 ISB 05 REVISE PER CD 028824 3/08 ISB 04 REVISE PER CD 027300 5/07 JAH
DO NOT SCALE DRAWING 1 = 1	M. Hortofello 10/05	MKT DWG DST2270DX 40"-0 AUTOCAD 1 OF 1 27748-MKT 06