



Chipsmall Limited consists of a professional team with an average of over 10 year of expertise in the distribution of electronic components. Based in Hongkong, we have already established firm and mutual-benefit business relationships with customers from,Europe,America and south Asia,supplying obsolete and hard-to-find components to meet their specific needs.

With the principle of "Quality Parts,Customers Priority,Honest Operation,and Considerate Service",our business mainly focus on the distribution of electronic components. Line cards we deal with include Microchip,ALPS,ROHM,Xilinx,Pulse,ON,Everlight and Freescale. Main products comprise IC,Modules,Potentiometer,IC Socket,Relay,Connector.Our parts cover such applications as commercial,industrial, and automotives areas.

We are looking forward to setting up business relationship with you and hope to provide you with the best service and solution. Let us make a better world for our industry!



## Contact us

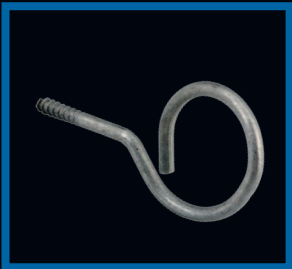
Tel: +86-755-8981 8866 Fax: +86-755-8427 6832

Email & Skype: info@chipsmall.com Web: www.chipsmall.com

Address: A1208, Overseas Decoration Building, #122 Zhenhua RD., Futian, Shenzhen, China



## Diamond<sup>®</sup> Hardware Products



Drop Hardware

Construction Hardware

Bonding & Grounding Hardware

Fastening Hardware

Installation Supplies

## Diamond® Hardware Products

### Table of Contents

#### Diamond Hardware Overview Pages 2-5

The Diamond® Difference™	2-3
Broadband Drop System	4
CATV Bonding and Grounding Methods	5

#### Drop Hardware Pages 6-21

Drop Wire Clamps	6-7
Span Clamps	8-9
Clamps - Conduit and Pipe	10-11
Brackets	12
Hooks	13
Rings, Screw Fixtures	14
Cable Clips	15-17
Cable Clamps	18
Cable Ties and Bushings	19
Drive Rings, Wire Loops	20
Drive Pins, Drive Tools	21

#### Construction Hardware Pages 22-28

Lashed Cable Supports	22-23
Clamps	24
Hangers, Brackets, Hooks	25
Tap Brackets	26-27
Aerial Cable Damper	28

#### Bonding & Grounding Hardware Pages 29-37

Bonding Clamps	29-30
Ground Blocks	31
Grounding Clamps	32
Grounding Straps	33
Mechanical - Split Bolt Connectors	34
Mechanical - Jumper Clamps	34
Mechanical - Ground Rod Clamps	35
Mechanical-Grounding Conns&Clamps	36

#### Fastening Hardware Pages 38-57

Cable Support System	38-40
Standard Cable Ties	41-43
Specialty Cable Ties	44-45
Stainless Steel Cable Ties	46-48
Identification Cable Ties	48
Beaded Cable Ties, Push Mount Cable Ties	49
Air Handling Cable Ties	50
Cold Weather Cable Ties	51
Cable Tie Mounting Pads	51-52
Cable Tie Screw Mounts	53
Cable Tie Mounts	54-55
Cable Ties Identification Plates	55
Cable Tie Specialty Packs	56-57

#### Installation Supplies Pages 58-59

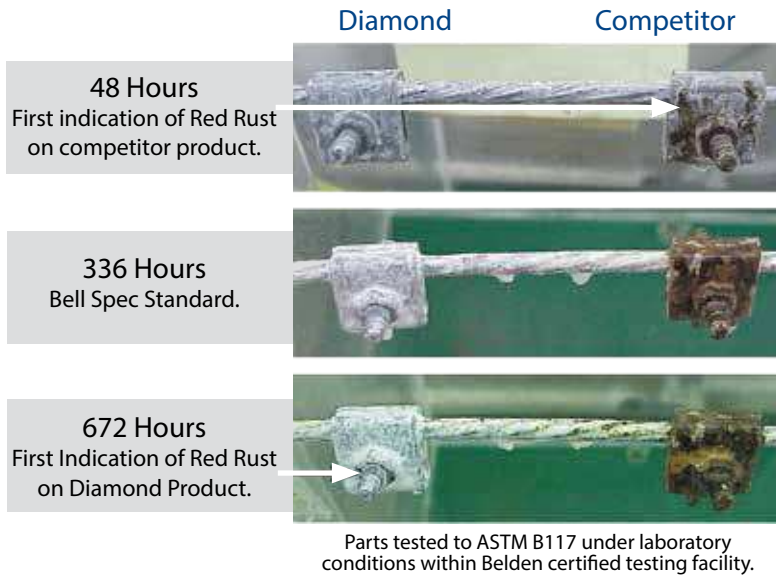
Wall Plates	58
Hardware and Rough-In Products	59

#### Index Pages 60-62



## Salt Spray Test Results

5% salt solution (as used in ASTM B117) is sprayed upon parts in a closed chamber until the first indication of red rust appears.

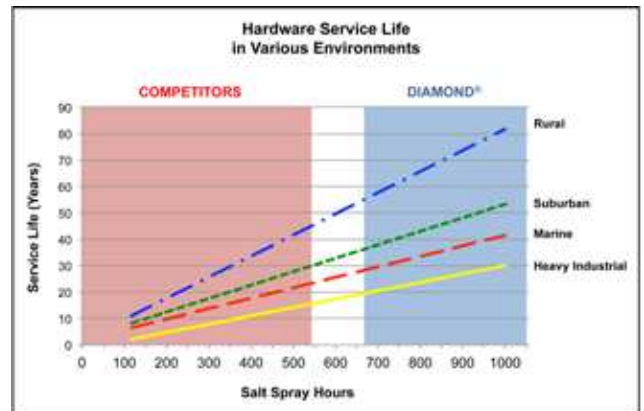


How Service Life in Hours\* Equates to Service Life in Years in Different Environments

Environment	48 Hours	336 Hours	672 Hours	850 Hours
Rural	4.2 Years	30 Years	60 Years	75 Years
Suburban	2.2 Years	16 Years	32 Years	40 Years
Moderate Industrial	1.5 Years	11 Years	22 Years	28 Years
Heavy Industrial	11 Months	6.5 Years	13 Years	17 Years

\*Under Test Conditions

Information Source: Iron Age Magazine (Zinc Institute) Oct. 1980 Issue.



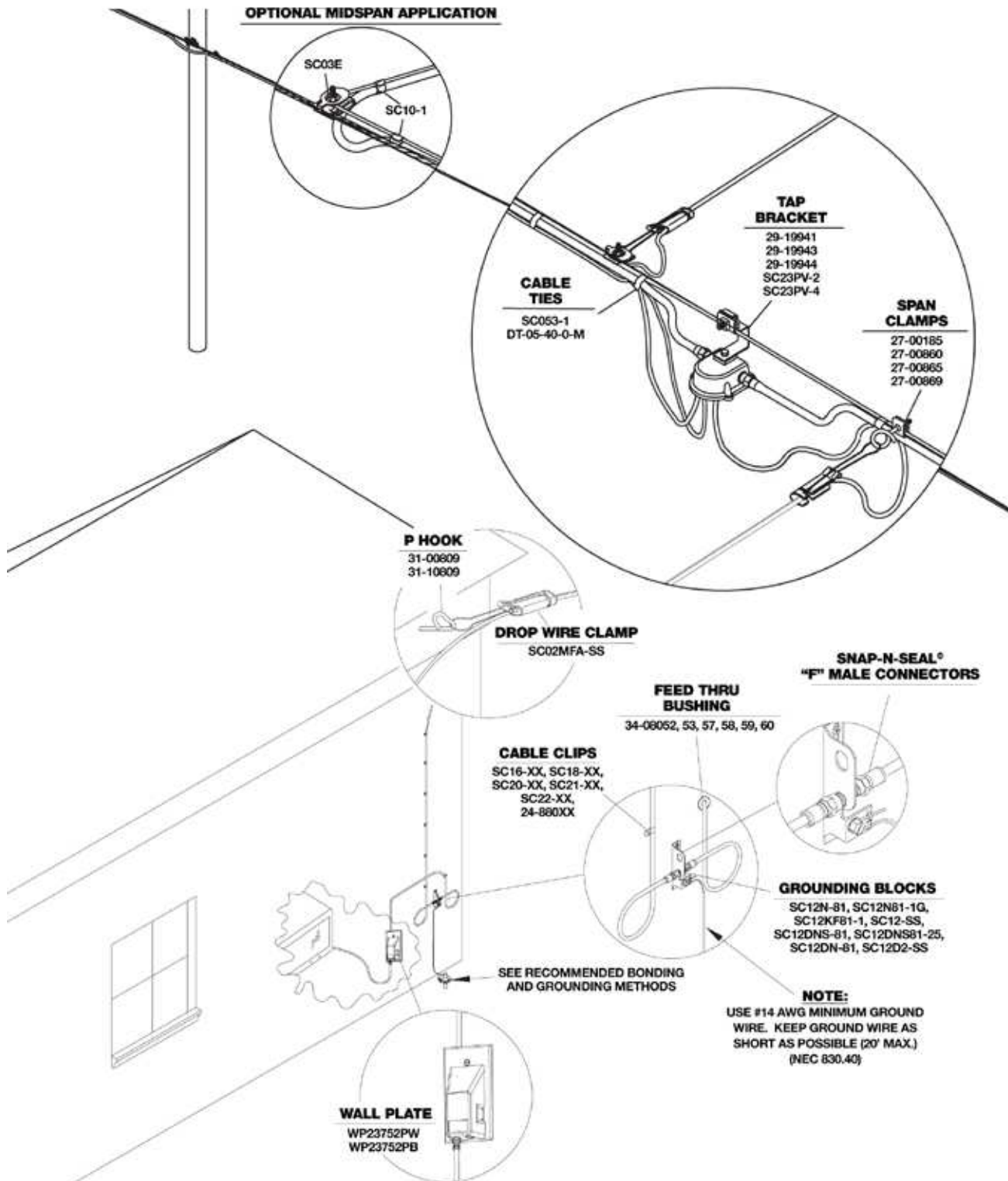
## Meeting Your Specifications

We ensure consistent performance and quality by adhering to the following industry standards and specifications used within the Telecommunications Industry.

- Bell Core** The Bell Operating Companies (RBOC's) borne of the AT&T divestiture were the first organizations to recognize the need for and to establish quality standards and specifications for pole line hardware in the USA. Bell Communications Research Inc. or 'Bellcore' specifications are acknowledged standards for pole line, drop and bonding/grounding hardware.
- SCTE** Society of Cable Telecommunications Engineers (SCTE) is the professional association for the Cable Television industry. SCTE provides training, certification and standards to the industry and is accredited by ANSI as the industry's body of record.
- ANSI** American National Standards Institute (ANSI) administers and coordinates U.S. standardization efforts through facilitation of consensus standards and conforming assessment systems. ANSI is the official United States representative to ISO and other international accreditation and standardization bodies.
- ISO** The International Organization for Standardization (ISO) reviews, inspects and approves manufacturer facilities and methods then awards quality certification. Facilities must continue to meet the certification requirements to maintain their ISO quality status. Belden's plants are registered to ISO 9001-2000.
- ASTM** The American Standards for Testing and Materials (ASTM) organization in conjunction with manufacturers and industry associations has established internationally recognized quality standards. The organization specifies materials, procedures and methods to assure conformance to its standards.
- UL** Underwriter's Laboratories is an international safety standards organization, which has established testing criteria for electrical products to assure their safety for the end user.
- CSA** The Canadian Standards Association (CSA) has established standards and test criteria to assure satisfactory performance and function of products destined for use in Canada.

## Diamond® Hardware

### Broadband Drop System Overview



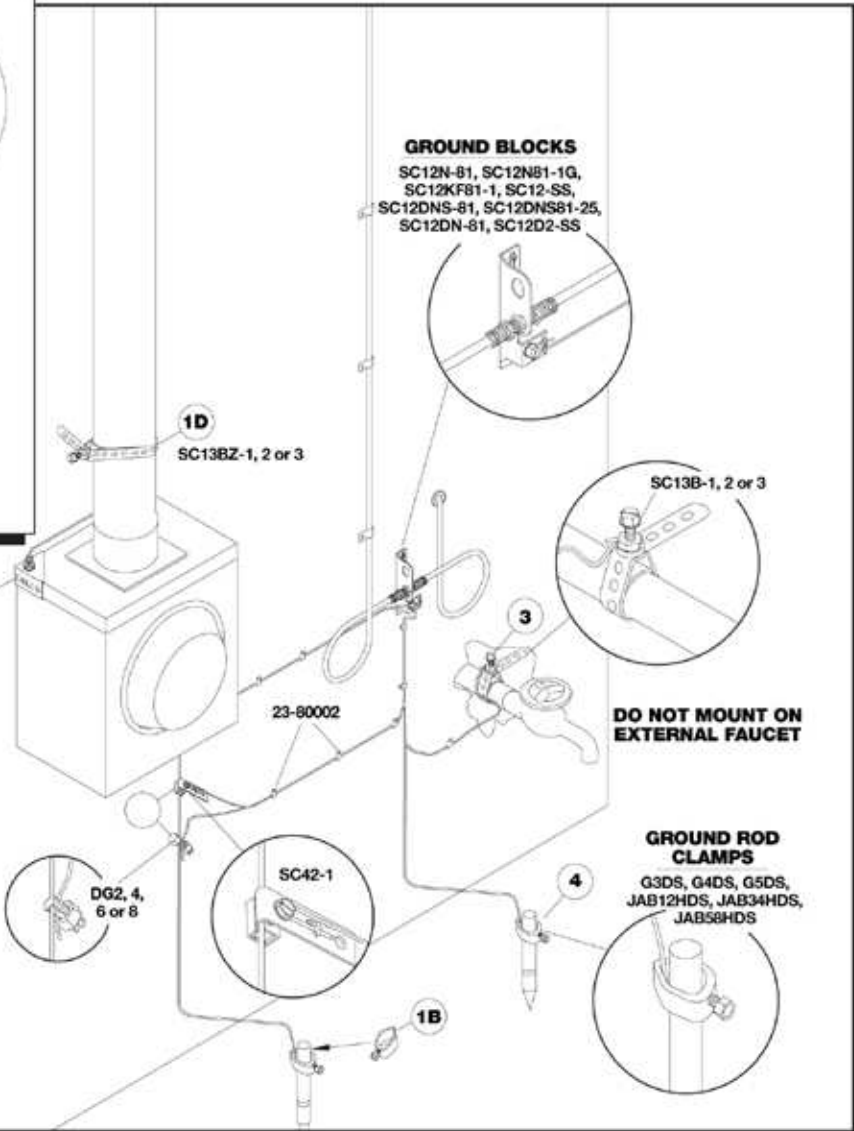
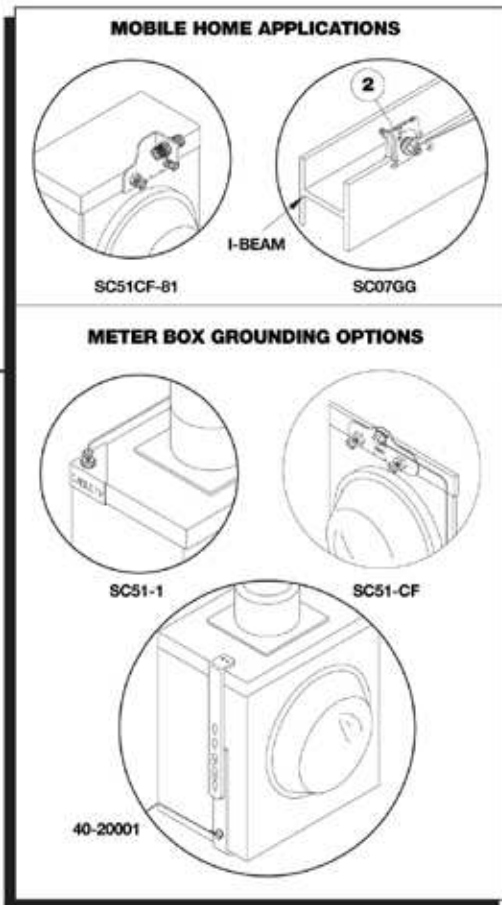
Please NOTE: These pictures depict a typical representation of only Belden products that may be used for bonding/grounding, as well as drop installation.

# Diamond® Hardware

## Recommended CATV Bonding and Grounding Methods

Bonding and Grounding Methods in Order as Recommended by NEC and SCTE:

1. Power ground system:
  - a. Power ground service wire
  - b. Power service ground rod
  - c. External connector on power service meter box
  - d. Power service entrance conduit (not conduit outlets)
2. Building steel that is bonded to power ground.
3. Metallic water pipe that is bonded to power ground. (water pipes are to be avoided due to the increase in plastic pipes)
4. Additional ground rod (see notes).



**Notes:**

- All Belden grounding devices shown are U.L. listed.
- Always abide by local grounding codes and follow company sanctioned grounding procedures and priorities.
- Cold water pipe ground is not recommended unless continuity can be guaranteed. Also, must be within 5 ft. of where water enters the home.
- If ground wire is 20 ft. or more from the power ground, an additional ground rod must be installed and connected to the power ground by a #6 ground wire. (Option 4)
- Minimum of #14 AWG solid copper wire required for bonding CATV systems. [NEC 820.40]

## Diamond® Drop Hardware

### Drop Wire Clamps for CATV and Telephone Cable



#### Universal Messenger Cable Drop Wire Clamp



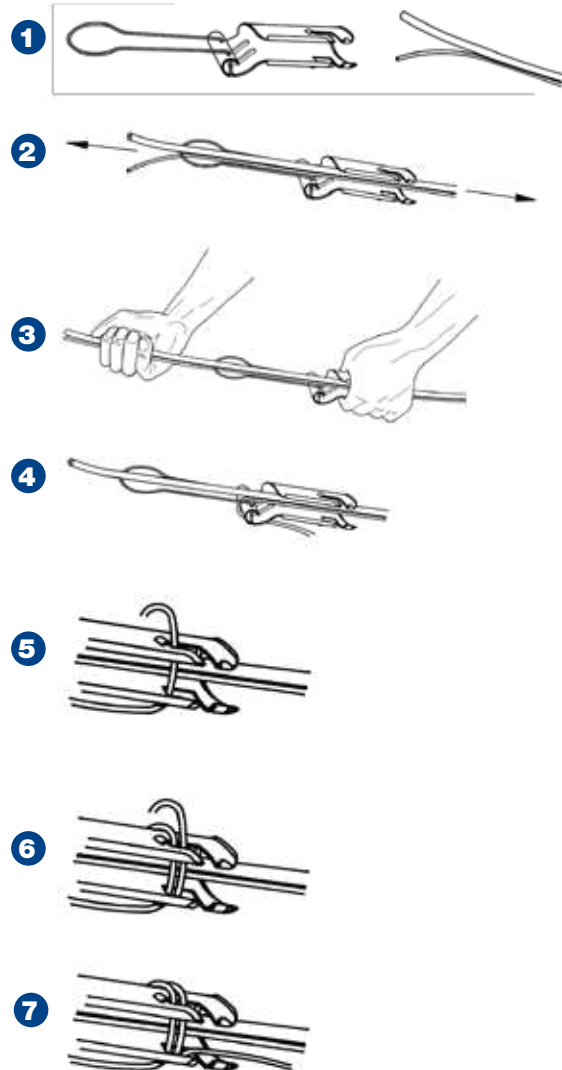
- Permits cable to “float” free, fully protected from strain and chafing.
- Drop clamp for the suspension of a messengered drop cable between the pole, midspan and house.
- For use with RG59, RG6 and other cables
- Stainless steel bail wire and aluminum body.

Part Number	Description	Inner Pack	Outer Pack
SC02MFA-SS	Universal Messenger Drop Wire Clamp	--	125

#### Installation:

1. Begin separation of the messenger wire from the cable using the end-edge of the SC02MFA-SS Drop Clamp.  
Note: Never use a knife or other sharp tool to separate messenger and cable.
2. Fit the cable and messenger wire into the SC02MFA-SS Drop Clamp as shown, so that the Clamp Bail is between the two.
3. Grasp the separated end of the messenger and cable with one hand and grip the Clamp Body, as shown, with your other hand. Then, pull the SC02MFA-SS back, in a straight line, separating the length of messenger wire needed to make the wrap; about 15 to 18-inches.
4. Pull the messenger wire around the center of the bearing surface as shown, toward the rear or drop-side of the Clamp.  
Note: If at the house end of the drop, this will be done while tensioning or “sagging” the drop.
5. Pass the messenger wire through the “L” Slots and begin the wrap about the SC02MFA-SS body, as shown.
6. Continue the messenger wire wrap for two full turns.
7. Pass the messenger wire through the “L” Slot, as shown, to the drop-side of the SC02MFA-SS and cut the excess wire away, or ground it to the strand.

Note: For drop cable with larger messenger wire, one wrap is sufficient. Wrap the end of the wire around the end of the SC02MFA-SS and bring it back up the “L” Slots, then cut away the excess, or ground it to the strand.







## Diamond® Drop Hardware

### Drop Wire Clamps for CATV and Telephone Cable



#### "B" Drop Wire Clamp

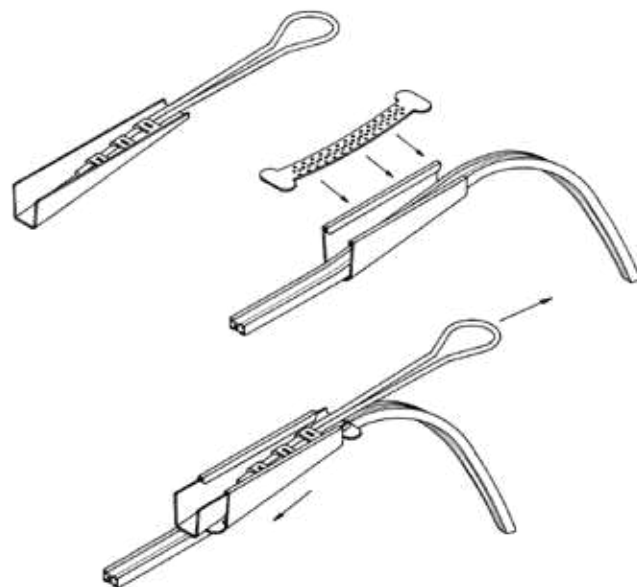


- Used to support both ends of telephone drop, at strand and building.
- Suitable for 1-2 pair .200" max. height and .410' max. width.
- 6 pair version: .300" max. height and .500" max. width.
- Stainless steel bailwire on all versions.
- Special Packages available. Please check with your PPC/Belden Representative.

PartNumber	Description	Material	Pair	Shim Type	Inner Pack	Outer Pack
23-44441	"B" Drop Wire Clamp	Aluminum	1-2	Serrated	--	500
23-44444	"B" Drop Wire Clamp (Bell Packaging)	Aluminum	1-2	Serrated	25	500
23-44445	"B" Drop Wire Clamp	Aluminum	1-2	Serrated	2	250
23-82350	"B" Drop Wire Clamp	Aluminum	6	Dimpled	1	75
23-82351	"B" Drop Wire Clamp	Aluminum	6	Dimpled	25	150
23-88881	"B" Drop Wire Clamp (Bulk Packaging)	Stainless Steel	1-2	Serrated	25	500
23-88885	"B" Drop Wire Clamp	Stainless Steel	1-2	Serrated	2	250

#### Installation:

1. Lay cable in shell.
2. Place shim on top of cable with raised embossings against cable.
3. Insert wedge in shell (on top of shim) and pull to engage. (Small end of wedge should be initially engaged in track of large end of shell).
4. Place bailwire on "B" drop wire hook (ram's horn) with wedge loose. Pull drop wire through clamp until proper sidewalk/alley clearance is achieved.
5. Grasp clamp (bailwire still on ram's horn) and pull tightly to secure.



## Diamond® Drop Hardware Span Clamps



### "Q" Span Clamp



- Provides drop wire take offs at mid-span.
- Steel components mechanically galvanized ASTM B695.

Part Number	Description	Material	Clamp Range	PigTail Diameter	Inner Pack	Outer Pack
27-00185	"Q" Span Clamp	Steel	1/4"-7/16"	1/4"	--	100
2700185-LA	"Q" Span Clamp for P3 Cable w/Messenger	Plates-Aluminum Pigtail - Steel	<1/4"	1/4"	--	100

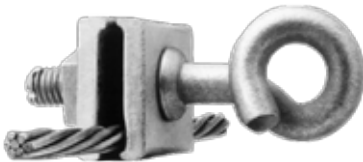
### "O" Span Clamp



- Provides drop wire take offs at mid-span.
- Steel components mechanically galvanized ASTM B695.

PartNumber	Description	Material	Clamp Range	PigTail Diameter	Inner Pack	Outer Pack
27-00860	"O" Span Clamp	Plates-Aluminum Pigtail - Steel	1/4"-3/8"	3/8"	--	50

### "E" Span Clamp



- Provides drop wire take offs at mid-span.
- Steel components mechanically galvanized ASTM B695.

PartNumber	Description	Material	Clamp Range	PigTail Diameter	Inner Pack	Outer Pack
27-00865	"E" Span Clamp	Steel	1/4"-7/16"	3/8"	5	100

### "C" Span Clamp



- Provides drop wire take offs at mid-span.
- Steel components mechanically galvanized ASTM B695.

PartNumber	Description	Material	Clamp Range	PigTail Diameter	Inner Pack	Outer Pack
27-00869	"C" Span Clamp	Plates-Aluminum Hook - Steel	1/4"-3/8"	3/8"	--	50



## Diamond® Drop Hardware Span Clamps



### Figure 8 Span Clamp



- Provides drop wire take offs at mid-span.
- Steel components mechanically galvanized ASTM B695.

Part Number	Description	Material	Clamp Range	PigTail Diameter	Inner Pack	Outer Pack
28-09800	Fig 8 (.109-.134")	Plates-Aluminum Hook - Steel	1/4"-7/16"	3/8"	--	50
28-09850	Fig 8 (.148-.250")	Plates-Aluminum Hook - Steel	1/4"-7/16"	3/8"	--	25

### Econospan Span Clamp



- Multi directional clamp for messengered and non-messengered drop cable used for dead-end or mid-span application.
- Mechanically galvanized ASTM B695.

PartNumber	Description	Inner Pack	Outer Pack
SC03E	Clamp will Accept 1/4" (6.6MM) Steel Strand	--	100

### Multi-Directional Span Clamp



- Multi-directional span clamp used for drop cables at mid-span location.
- Unique claw design locks in between steel strand lays to prevent rotation.
- Mechanically galvanized ASTM B695.

PartNumber	Description	Hook Load Capacity	Inner Pack	Outer Pack
SC03-1	Single Pigtail Hook for 1/4" Steel Strand	400 lbs.	--	100
SC03-2	Double Pigtail Hook for 1/4" Steel Strand	400 lbs.	--	75

## Diamond® Drop Hardware Clamps



### One Hole Clamps



- Used to support cable, conduit or pipe.
- Mechanically galvanized steel ASTM B695.

PartNumber	Description	Size	Pipe or Cable Size	Stock Size	Hole Diameter	Inner Pack	Outer Pack
24-80003	One Hole Clamp	L3	3/16"	.035" x 1/2"	7/32"	500	7,500
24-80004	One Hole Clamp	L4	1/4"	.035" x 1/2"	7/32"	500	5,000
24-80005	One Hole Clamp	L5	5/16"	.035" x 1/2"	7/32"	500	5,000
24-80006	One Hole Clamp	L6	3/8"	.048" x 1/2"	7/32"	500	5,000
24-80007	One Hole Clamp	L7	7/16"	.048" x 1/2"	7/32"	300	2,400
24-80008	One Hole Clamp	L8	1/2"	.048" x 1/2"	7/32"	--	500
24-80009	One Hole Clamp	L9	9/16"	.048" x 1/2"	7/32"	--	500
24-80010	One Hole Clamp	L10	5/8"	.048" x 1/2"	7/32"	--	500
24-80011	One Hole Clamp	L11	11/16"	.062" x 5/8"	9/32"	--	500
24-80012	One Hole Clamp	L12	3/4"	.062" x 11/16"	9/32"	--	500
24-80014	One Hole Clamp	L14	7/8"	.062" x 11/16"	9/32"	--	500
24-80016	One Hole Clamp	L16	1"	.080" x 3/4"	9/32"	--	250
24-80018	One Hole Clamp	L18	1-1/8"	.080" x 3/4"	9/32"	--	250
24-80020	One Hole Clamp	L20	1-1/4"	.115" x 7/8"	9/32"	--	100

### One Hole Offset Clamps



- Used to secure telephone cable runs.
- Offset provides a grip on multi-size cable.
- Mechanically galvanized steel ASTM B695.

PartNumber	Description	Cable Size	Stock Size	Hole Diameter	Inner Pack	Outer Pack
23-80403	One Hole Offset Clamp	5/32" - 7/32"	.048" x 5/16"	9/64"	500	5,000
23-80405	One Hole Offset Clamp	1/4" - 5/16"	.048" x 5/16"	9/64"	500	7,500
23-80406	One Hole Offset Clamp	5/16" - 3/8"	.048" x 1/2"	7/32"	500	5,000
23-80407	One Hole Offset Clamp	3/8" - 1/2"	.048" x 1/2"	7/32"	500	5,000



# Diamond® Drop Hardware

## Clamps



### Two Hole Clamps

- Used to support cable, conduit or pipe.
- Offset provides a grip on multi-size cable.
- Mechanically galvanized steel ASTM B695.



PartNumber	Description	Size	Pipe or Cable Size	Stock Size	Hole Diameter	Inner Pack	Outer Pack
25-80070	Two Hole Clamp	#7	7/16"	.048" x 1/2"	13/64"	--	600
25-80100	Two Hole Clamp	#10	5/8"	.048" x 1/2"	7/32"	--	500
25-80110	Two Hole Clamp	#11	11/16"	.062" x 5/8"	9/32"	--	250
25-80120	Two Hole Clamp	#12	3/4"	.062" x 11/16"	9/32"	--	250
25-80140	Two Hole Clamp	#14	7/8"	.062" x 11/16"	9/32"	--	250
25-80160	Two Hole Clamp	#16	1"	.080" x 3/4"	9/32"	--	300
25-80180	Two Hole Clamp	#18	1-1/8"	.080" x 3/4"	9/32"	--	300
25-80200	Two Hole Clamp	#20	1-1/4"	1/8" x 7/8"	9/32"	--	100
25-80240	Two Hole Clamp	#24	1-1/2"	1/8" x 7/8"	9/32"	--	50
25-80260	Two Hole Clamp	#26	1-5/8"	1/8" x 7/8"	9/32"	--	50
25-80300	Two Hole Clamp	#30	1-7/8"	1/8" x 7/8"	9/32"	--	50
25-80360	Two Hole Clamp	#36	2-1/4"	1/8" x 1"	11/32"	--	75
25-80400	Two Hole Clamp	#40	2-1/2"	1/8" x 1"	11/32"	--	50
25-80420	Two Hole Clamp	#42	2-5/8"	1/8" x 1"	11/32"	--	50
25-80560	Two Hole Clamp	#56	3-1/2"	1/8" x 1"	11/32"	--	50



## Diamond® Drop Hardware Brackets

### Drop Wire Mast Bracket



- Mechanically galvanized steel ASTM B695.
- Mast capacity 2-1/2" to 3" diameter.

Part Number	Description	Inner Pack	Outer Pack
40-00540	Drop Wire Mast Bracket	--	50

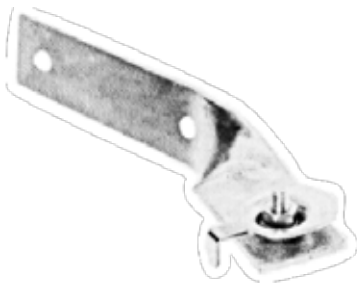
### House Bracket



- Multi-dwelling drop cable bracket.
- Attach to building with drive screws or wood screws (1/4" dia.).
- Attach insulator in 7/16" dia. mounting hole.
- Mechanically galvanized steel ASTM B695.

Part Number	Description	Inner Pack	Outer Pack
40-00200	House Bracket 1-3/4" Wide x 3-1/2" High x 3" Horizontal Leg	--	50

### Corner Wall Bracket



- Corner wall bracket used to dead-end a messenger drop cable or a steel strand at the building.
- Mechanically galvanized ASTM B695.

Part Number	Description	Inner Pack	Outer Pack
SC53-2	For Messengered Drop Cable with .051" to .072" Steel Messenger Wire	--	50



## Diamond® Drop Hardware Hooks



### Drop Wire Hook (Ram's Horn)



- Used to attach bail wire type drop wire clamp to building.
- Mechanically galvanized ASTM B695.

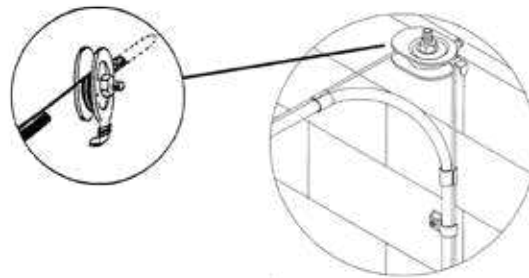
Part Number	Description	Inner Pack	Outer Pack
30-01732	Ram's Horn Type Drop Wire Hook	50	600

### "Omni" House Hook



- Omni house hook used to dead-end a messengered drop cable at the house.
- Retainer provides a 1" diameter wrap to messenger steel wire keeping the messenger intact for bonding at the ground block.
- Mechanically galvanized ASTM B695.

Part Number	Description	Inner Pack	Outer Pack
SC26-1	Omni Directional Signal Retainer	--	100
SC26-1L	Omni Directional Signal Retainer - Extra Long	--	100



### "P" House Hook



- Used to secure coaxial cable drop installations at the building.
- Accepts bailwire dropwire clamps, wire grips or messenger wraps.
- Mechanically galvanized steel ASTM B695.

Part Number	Description	Overall Length (inches)	Screw Diameter (inches)	Inner Pack	Outer Pack
31-00809	Regular House Hook	3-3/4	1/4	--	200
31-10809	Long House Hook	4-1/2	1/4	--	200
31-00800	Wrench P House Hook	3-3/4	1/4	*	*
31-00801	Wrench P House Hook	4-1/2	1/4	*	*

\* ( Ask PPC/Belden Representative ).

## Diamond® Drop Hardware

Hooks, Rings, Screw Fixtures



### Dead End Strap



- Dead-end strap made of high quality G90 pre-galvanized steel used to dead-end a drop cable at the house service mast.

Part Number	Description	Inner Pack	Outer Pack
SC11-1	From 1" to 4" Diameter Mast	--	100

### Bridle Rings



- Used to support cable runs and electrical wiring.
- Mechanically galvanized ASTMB695.

Part Number	Description	Style	Eye Dia.	Thread Size	Max. Load	Inner Pack	Outer Pack
31-00810	Wood Screw Bridle Ring	A	1-5/8"	#14	75 lbs.	--	100
31-00812	Wood Screw Bridle Ring	C	1-1/4"	#14	75 lbs.	--	100
31-00819	Wood Screw Bridle Ring	G	7/8"	#10	50 lbs.	25	100
31-00821	MachineScrewBridleRing	K	3/4"	#10-24	50 lbs.	100	1,000
31-00823	MachineScrewBridleRing	M	1-1/4"	#10-24	50 lbs.	--	100
31-00824	MachineScrewBridleRing	P	1-3/4"	#10-24	50 lbs.	--	100
31-00825	MachineScrewBridleRing	Q	1-1/4"	1/4"-20	50 lbs.	--	100
31-00827	MachineScrewBridleRing	R	1-5/8"	#10-24	50 lbs.	--	100

### Angle Screw Fixture



- Used to attach bail wire type drop wire clamp to building.
- Mechanically galvanized ASTMB695.

Part Number	Description	Wood Screw Diameter	Shank Diameter Length	Machine Thread Length	Insulator Shank Length	Inner Pack	Outer Pack
33-00840	Angle Screw Fixture	5/16" (18)	9/32" x 2-1/4"	1"	1-1/2"	--	150
33-00841	Angle Screw Fixture	3/8"	3/8" x 2"	1-1/8"	2-1/2"	--	100





## Diamond® Drop Hardware Cable Clips



### "S" Cable Clip - Telephone



- Used to secure telephone drip loop to "B" drop wire hook (Ram's horn).
- Ribs provide positive grip on drop wire.
- Aluminum "S" clip to be secured with lineman's pliers.

Part Number	Description	Maximum Cable Size	Inner Pack	Outer Pack
23-80261	2-3 Pair "S" Clip	.225" x .375"	25	500
23-80262	6 Pair "S" Clip	.300" x .500"	--	500
23-80366	1-2 Pair "S" Clip	.160" x .300"	25	500

### "S" Cable Clip - Coaxial



- Used to prevent separation of two cables or a messenger steel wire from a drop cable.

Part Number	Description	Inner Pack	Outer Pack
SC10-1	Made of Soft Aluminum for Easy Finger Forming Accepts Up to Series 7 Cable	--	500

### Dual Cable Clip



- Secures dual coaxial cable and telephone six pair cable runs.
- Mechanically galvanized steel ASTM B695.

Part Number	Description	Inner Pack	Outer Pack
22-12121	Dual Cable Clip - Series 6	500	5,000

## Diamond® Drop Hardware Cable Clips



### "U" Cable Clip



- Pre-formed aluminum cable clip used to secure drop cables and ground wires to either wood or masonry surfaces using self-tapping screws.

Part Number	Description	Inner Pack	Outer Pack
SC19-1	"U" Cable Clip RG59- 6MM	500	10,000
SC20-1	"U" Cable Clip for Series 6 Cable -7MM	500	10,000
SC20-D6	"U" Cable Clip for Dual RG-6 Cable	400	8,000
SC21-1	"U" Cable Clip for #12AWG to #14AWG Ground Wire.	500	10,000
SC21-2	U" Cable Clip for #6AWG to #10AWG Ground Wire.	500	10,000
SC22-1	"U" Cable Clip RG11 - 10MM	400	8,000

### Screw and Snap® Clips (Patented)



- Used to secure coaxial cable and ground wire runs to wood, masonry, stucco, brick or concrete.
- For concrete or brick drill .138" pilot hole. Screw will cut threads in hole.
- Convenient strips of ten clips snap off after installation.
- Cable size stamped on clips (aluminum).
- Screw hardened and treated for 500 hour salt spray resistance. ASTM B117.
- Plastic plugs secure screws to strip and prevent torquing.
- Handy holder included in every 30 strip carton.

Part Number	Description	Screw Size	Cable Size	Inner Pack	Outer Pack
24-88013	Screw & Snap Clips	#8 x 3/4"	Series 6	30	300
24-88014	Screw & Snap Clips	#8 x 3/4"	Series 59	30	300
24-88016	Screw & Snap Clips	#8 x 3/4"	10-14 AWG	30	300
24-88017	Screw & Snap Clips	#8 x 3/4"	Series 6Q	30	300
24-88027	Screw & Snap Clips	#8 x 3/4"	Series 11	30	300

\*Screw N Snap can be used to attach cable to wood, masonry and concrete when a .138" pilot hole is drilled and fitted with a Diamond Plastic Screw Anchor, Diamond part number, 12-08210.



## Diamond® Drop Hardware

### Cable Clips



#### SAXXIT® Cable Clips (Patented)



- “Galvalume” steel cable clip used on concrete, mortar, stucco or wood with a pre-inserted, self-tapping screw or a drive pin.

Part Number	Description	Inner Pack	Outer Pack
SC16-19	SAXXIT Cable Clip for 6mm Cable with No. 8 x 1" Screw 1/4" Hex Head Indented "Phillips"	250	5,000
SC16-26	SAXXIT Cable Clip for 7mm Cable with No. 8 x 1" Screw 1/4" Hex Head Indented "Phillips"	250	5,000
SC16-3Q	SAXXIT Cable Clip for 8mm Cable with No. 8 x 1" Screw 1/4" Hex Head Indented "Phillips"	250	5,000
SC16-411	SAXXIT Cable Clip for 10mm Cable with No. 8 x 1" Screw 1/4" Hex Head Indented "Phillips"	250	5,000
SC16DP-19	SAXXIT Cable Clip for 6mm Cable with 1" Drive Pin	250	5,000
SC16DP-26	SAXXIT Cable Clip for 7mm Cable with 1" Drive Pin	250	5,000
SC16DP-3Q	SAXXIT Cable Clip for 8mm Cable with 1" Drive Pin	250	5,000

#### SAXXON® Cable Clips



- “Galvalume” steel cable clip used on wood, stucco or mortar with a 1” hardened pre-inserted nail.

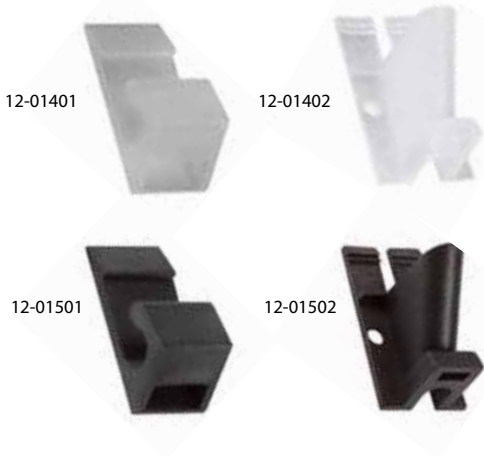
Part Number	Description	Inner Pack	Outer Pack
SC18-19	SAXXON Cable Clip for 6mm Cable	500	10,000
SC18-26	SAXXON Cable Clip for 7mm Cable	500	10,000
SC18-3Q	SAXXON Cable Clip for 8mm Cable	500	10,000
SC18L-26	SAXXON Cable Clip for 7mm Cable with 1.625" Hardened Nail	300	3,600
SC18P-26BLACK	SAXXON Cable Clip for 7mm Cable, Painted Black	500	10,000
SC18P-26WHITE	SAXXON Cable Clip for 7mm Cable, Painted White	500	10,000

## Diamond® Drop Hardware

### Cable Clips, Cable Clamps,



#### Siding Clips



- Secures coaxial cable runs to aluminum, vinyl or steel siding.
- High density UV stabilized outdoor polypropylene.
- Available in natural (clear) or black.

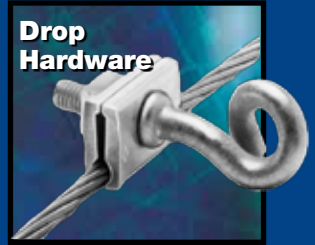
Part Number	Description	Inner Pack	Outer Pack
12-01401	Horizontal Siding Clip - Natural	100	1,000
12-01402	Vertical Siding Clip - Natural	100	1,000
12-01501	Horizontal Siding Clip - Black	100	1,000
12-01502	Vertical Siding Clip - Black	100	1,000

#### "E" Drop Wire Clamp



- Used to secure telephone drop wire cable runs.
- Mechanically galvanized ASTM B695.
- Transverse ribs grip cable to prevent abrasion.

Part Number	Description	Inner Pack	Outer Pack
23-80361	"E" Drop Wire Clamp, One Pair, Steel	50	2,000
23-80363	"E" Drop Wire Clamp, One Pair, Steel, Box of 50	1	40
23-80370	"E" Drop Wire Clamp, Two Pair, Steel	50	2,000
23-83361	"E" Drop Wire Clamp, Six Pair, Steel	50	2,000
40-80365	"E" Drop Wire Clamp, Coax, Aluminum	--	500

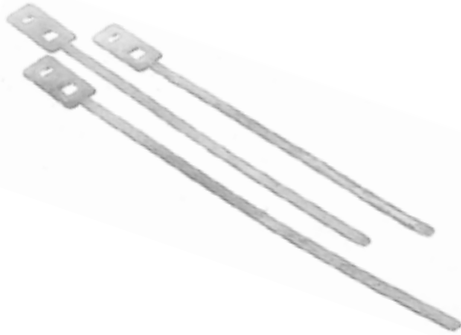


## Diamond® Drop Hardware

Cable Ties, Cable Bushings



### Cable Ties - Aluminum



- Reusable strap with integral buckle made of malleable aluminum, corrosion resistant, used to support drop cables on the strand, pedestal, lock box and along the wall.
- No sharp edges to cut hands or damage cable.

Part Number	Description	Inner Pack	Outer Pack
SC053-1	7" Long, 1/4" Band - Reusable Aluminum Tie	400	8,000
SC053-2	10" Long, 1/4" Band - Reusable Aluminum Tie	100	1,500
SC28-1*	ID Tag, 3-1/4" long, plain for scribe on	400	8,000
SC28-2	ID Tag, 3-1/4" long with random 6 digit number	400	8,000
SC28-3	ID Tag, 3-1/4" long, with pre-stamped 4 letters and 2 banks of numbers from 0-9	400	8,000
SC28-4	ID Tag, 7" long, plain to scribe on	--	200
SC28-4SCATV	ID Tag, 7" long, pre-stamped CATV	--	200
SC28-5	ID Tag, 10" long, plain for scribe on	--	500
SC28-6	ID Tag, 16" long, plain for scribe on	--	500
SC28-8	Id Tag, 3-1/4" long with single large digit number or letter	400	800
SC28-GT	Id Tag, 2-1/2" X 1-1/4" grounding tag with warning message. Optional cable system name and tele- phone number	400	800

\* Different colors available: Green, Red, Yellow

### Feed Thru Bushing



34-08052



34-08053



34-08057



34-08058



34-08059



34-08060

- Protects coaxial cable entry into subscriber's building.
- Available in black or natural (clear).
- High density UV stabilized outdoor polypropylene.

Part Number	Description	Color	Cable Size	Inner Pack	Outer Pack
34-08052	Feed Thru Bushing	Black	Series 6, 6Q	100	1,000
34-08053	Feed Thru Bushing	Natural	Series 6, 6Q	100	1,000
34-08057	Feed Thru Bushing - Dual RG6	Black	Series 6, 6Q	100	1,000
34-08058	Feed Thru Bushing - Dual RG6	Natural	Series 6, 6Q	100	1,000
34-08059	Feed Thru Bushing - 15° Angle	Black	Series 6, 6Q	100	1,000
34-08060	Feed Thru Bushing - 15° Angle	Natural	Series 6, 6Q	100	1,000

## Diamond® Drop Hardware

### Drive Rings, Wire Loops



#### Drive Rings



- Used to support cable runs and electrical wiring.
- Mechanically galvanized steel ASTM B695.

Part Number	Description	Eye Size	Nail Length (in)	Maximum Load (lbs)	Inner Pack	Outer Pack
30-00801	Drive Ring	1/2"	2.062	50	50	2,500
30-00804	Drive Ring	5/8"	2.250	75	25	1,000
30-00805	Drive Ring	7/8"	2.563	100	25	500
30-00807	Drive Ring	1-1/4"	2.938	125	20	120
30-01801*	Drive Ring - Long	1/2"	2.438	50	50	2,500
30-01804*	Drive Ring - Long	5/8"	2.750	75	25	1,000
30-01805*	Drive Ring - Long	7/8"	3.062	100	25	500
30-01807*	Drive Ring - Long	1-1/4"	3.438	125	25	250

\*These sizes have longer nails for greater carrying capacity

#### Drive Rings



- Drive ring used for guiding cables.
- May be used at the pole or at the house.
- Double crimped loop on concrete nail facilitates installation.
- Mechanically galvanized ASTM B695.

Part Number	Description	Inner Pack	Outer Pack
SC17-1	5/8" Ring with 2-1/4" Concrete Nail	--	250
SC17-2	1-1/4" Ring with 2-1/2" Concrete Nail	--	200

#### Wire Loops and Wire Loop Drive Pins



- Used to attach drop wire runs to masonry with wire loop drive pins.
- Wire loops mechanically galvanized steel ASTM B695.
- Wire loop drive pins zinc plated steel ASTM B633.

Part Number	Description	Inner Pack	Outer Pack
15-00120	Wire Loop 1/2"	100	1,000
15-00121	Wire Loop 5/8"	100	1,500
15-00122	Wire Loop 7/8"	70	560
15-00123	Wire Loop 1-1/4"	100	1,000
15-10101	Wire Loop Drive Pin, 1-1/2" Long	100	1,500
15-10102	Wire Loop Drive Pin, 1-3/4" Long	100	1,500



## Diamond® Drop Hardware

### Drive Pins, Drive Tools



#### Drive Pins



- Used to secure clamps to masonry surface.
- Zinc plated steel ASTM B633.

Part Number	Description	Inner Pack	Outer Pack
15-10041	Drive Pin - 1/4" Head x 3/4" Long, Metal Washer	100	1,500
15-10042	Drive Pin - 1/4" Head x 1" Long, Metal Washer	100	1,500
15-10043	Drive Pin - 1/4" Head x 1-1/4" Long, Metal Washer	100	1,500
15-10044	Drive Pin - 1/4" Head x 1-1/2" Long, Metal Washer	100	1,500

WARNING: Do not use powder actuated tools

#### Hammer Drive Tool



- Used to install drive pins in masonry.
- Tapered barrel retains drive pin washer prior to installation.
- Vinyl guard protects installer's hand.
- Black oxide finish on heat treated steel barrel.

Part Number	Description	Inner Pack	Outer Pack
15-11111	Hammer Drive Tool	1	25

## Diamond® Construction Hardware

### Lashed Cable Supports



#### Lashed Cable Supports



- Used to strap coaxial and telephone cable to strand.
- Available in 430 stainless steel or special zinc alloy in 3/4" width.
- Edges are processed to remove raised and projecting metal. Edges are smooth and free from burrs.

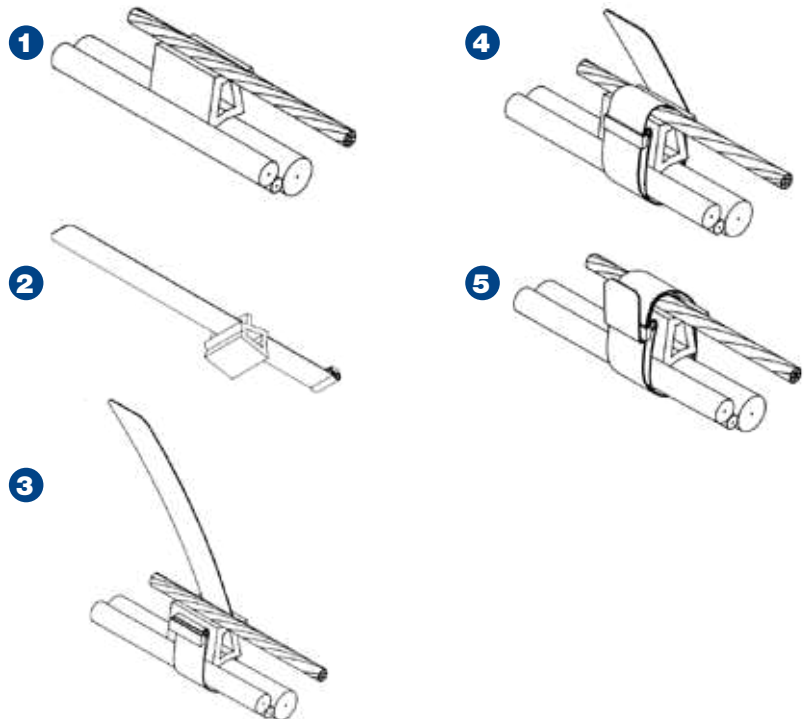
Part Number		Length	Diameter	Bundle Circumference	Inner Pack	Outer Pack
Zinc	Stainless Steel					
34-08911	34-08912	10"	1.2"	3.8"	--	500
34-08921	34-08922	16"	2"	6.3"	--	500
34-08931	34-08932	22"	3"	9.4"	--	300
34-08941	34-08942	28"	4"	12.6"	--	300
34-08951	34-08952	34"	5"	15.7"	--	300
*	34-08956	45"	6.5"	20.4"	--	200
34-08961	*	50"	7.5"	23.6"	--	200
*	34-08972	66"	10.0"	31.4"	--	200
*	3408972-SP	66"	10.0"	31.4"	--	200

#### Installation:

1. Measure diameter or circumference of bundle. Use table to determine strap length.
2. Thread strap through spacer slot.
3. Wrap strap around bundle (strand, spacer, cables) then through buckle twice, pulling each wrap tight.
4. Strap end should be doubled under itself (about 1.5") before making final pass through buckle. Trim off excess.
5. Bend doubled thickness over top of buckle to prevent unravelling.

#### Note:

In cable TV installation, straps should not be too tight as they may restrict cable movement during contraction and expansion and possibly damage cable.



\* Ask PPC/Belden Representative.





## Diamond® Construction Hardware

### Lashed Cable Supports



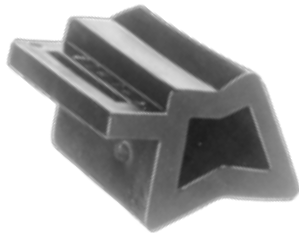
#### Lashed Cable Support Kit



- Used to strap coaxial or telephone cable to strand.
- Kit contains 100 ft. 430 stainless steel strapping and 75 steel buckles.
- Kit makes 75 straps 16" average length.
- Cut to desired length and secure to buckle.

Part Number	Description	Inner Pack	Outer Pack
34-00890	3/4" Wide Stainless Steel Strap with 75 Buckles	1	10

#### Plastic Cable Spacer



- High density outdoor polyethylene with U.V. inhibitors.
- Bell type.
- Provides separation between aerial cable and messenger.

Part Number	Description	Inner Pack	Outer Pack
34-08850	1/2" Plastic Spacer	100	1,000
34-08875	3/4" Plastic Spacer	100	1,000

#### Support Strap



- Reusable support strap with integral buckle made of malleable aluminum fire retardant. Used to bundle telephone, coaxial and fiber cable at the steel strand.
- Safe to use, no sharp edges to cut hands or cables.

Part Number	Description	Inner Pack	Outer Pack
SC05-1	10" Long, 3/4" Band	--	500
SC06-1	16" Long, 3/4" Band	--	500



## Diamond® Construction Hardware

### Clamps



#### Lashing Clamps



- Used to secure lashing wire terminations.
- Mechanically galvanized ASTM B695.
- 1/4" - 7/16" clamp range.

Part Number	Description	Inner Pack	Outer Pack
SC07-1	Lashing Clamp	--	100
26-09010	"D" Lashing Clamp	--	100
26-09010NS	"D" Lashing Clamp no stakes	--	100
26-09020	"E" Lashing Clamp	--	100
26-09022	"E" Lashing Clamp with 2 Washers, 2 Nuts	--	100

#### Figure 8 Three Bolt Suspension Clamps



- Used to secure Figure 8 cable to pole.
- Center hole accommodates 1/2" or 5/8" diameter machine bolt.
- Clamp plates aluminum alloy.
- Steel bolts mechanically galvanized ASTM B695.
- Eliminates need to strip messenger.

Part Number	Description	Messenger Size Range	Inner Pack	Outer Pack
28-09610	Figure 8 Three Bolt Suspension Clamp	.109" - .134"	--	25
28-09615	Figure 8 Three Bolt Suspension Clamp	.148" - .250"	--	20

#### Figure 8 Tangent Support Clamps



- Used to secure Figure 8 cable to pole.
- Clamp plates and J Hook aluminum alloy.
- Eliminates need to strip messenger.

Part Number	Description	Thru Bolt Hole Size	Messenger Size Range	Inner Pack	Outer Pack
28-09500	Tangent Support Clamp	5/8"	.148"-.250"	--	25
28-09600	Tangent Support Clamp	1/2"	.109"-.134"	--	25
28-19651	Tangent Support Clamp	5/8"	.109"-.134"	--	25