



Chipsmall Limited consists of a professional team with an average of over 10 year of expertise in the distribution of electronic components. Based in Hongkong, we have already established firm and mutual-benefit business relationships with customers from,Europe,America and south Asia,supplying obsolete and hard-to-find components to meet their specific needs.

With the principle of “Quality Parts,Customers Priority,Honest Operation,and Considerate Service”,our business mainly focus on the distribution of electronic components. Line cards we deal with include Microchip,ALPS,ROHM,Xilinx,Pulse,ON,Everlight and Freescale. Main products comprise IC,Modules,Potentiometer,IC Socket,Relay,Connector.Our parts cover such applications as commercial,industrial, and automotives areas.

We are looking forward to setting up business relationship with you and hope to provide you with the best service and solution. Let us make a better world for our industry!



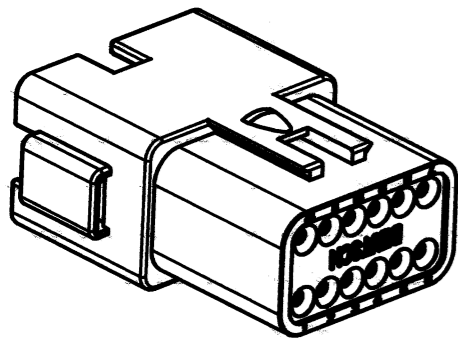
## Contact us

Tel: +86-755-8981 8866 Fax: +86-755-8427 6832

Email & Skype: info@chipsmall.com Web: www.chipsmall.com

Address: A1208, Overseas Decoration Building, #122 Zhenhua RD., Futian, Shenzhen, China

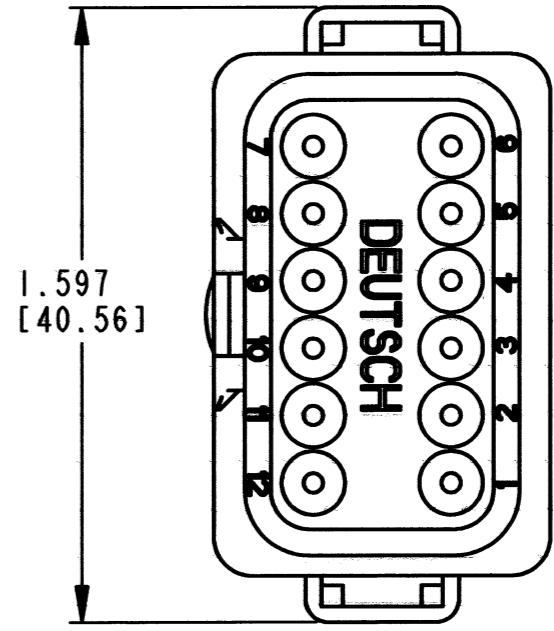
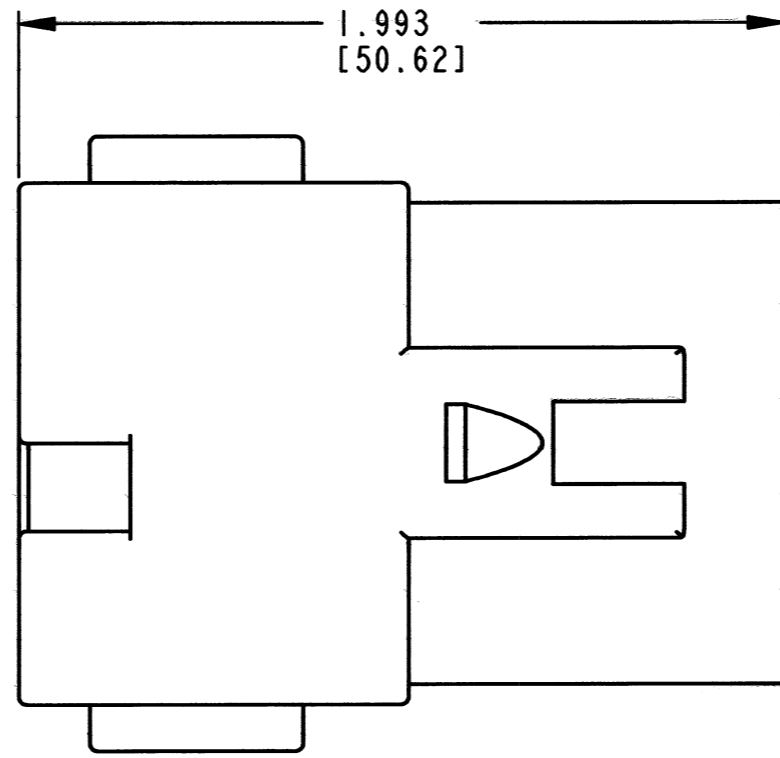
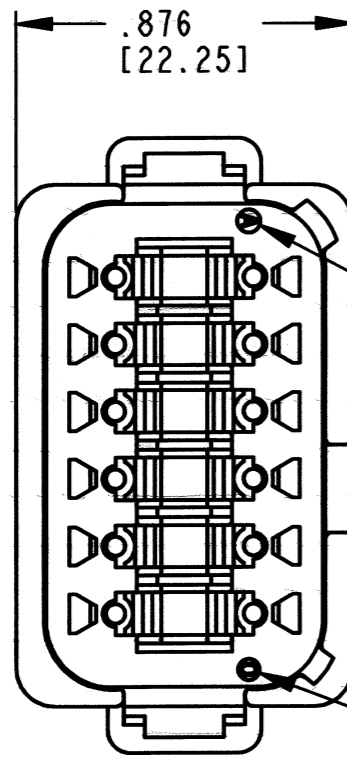




REV  
NC DT04-12P\* -B016

REVISIONS			
SYM	DESCRIPTION	DATE	APPROVED
NC	NEW RELEASE/REPLACES PREVIOUS		
	RELEASE PER E.O. P20828	3-11-11	ROR

**3D VIEW**



DATE CODE  
MONTH IS REPRESENTED BY SEQUENTIAL ALPHA  
CHARACTERS. EX: A=JANUARY  
YEAR IS REPRESENTED BY LAST DIGIT. EX. 0=2010.

5. MATERIAL - SHELL: PLASTIC; SEAL: RUBBER

4. THIS RECEPTACLE MATES WITH DT06-12S\* -\*\*\*\* PLUG.  
(\* = A,B,C,D KEY ARRANGEMENTS; \*\*\*\* = ALL MODIFICATIONS).  
CONSULT FACTORY FOR MODIFICATIONS.

3. FOR CONTACTS AND WIRE PERFORMANCE AND APPLICATION CHARACTERISTICS  
SEE ENVELOPE DRAWING 0425-015-0000 AND 0425-017-0000.

2. DIMENSIONS ARE ±.025[0.64] UNLESS OTHERWISE SPECIFIED.

NOTES: 1. DIMENSIONS ARE IN INCHES [MILLIMETERS].

CONTACT SIZE	MIN. INSUL. O.D.	MAX. INSUL. O.D.	WIRE RANGE [mm <sup>2</sup> ]
16	.088 [2.24]	.145 [3.68]	14-20 AWG [2.0-0.5]

SIGNATURE & DATE	
DR	A. MALAGON 04MAR11
CHK	D. Byford 3/11/11
PE	R. Meryn 3/4/11
APPD	S. Baum 3/10/11
SCALE	NONE
WT	

12 WAY RECEPTACLE  
ENHANCED KEY  
DT SERIES

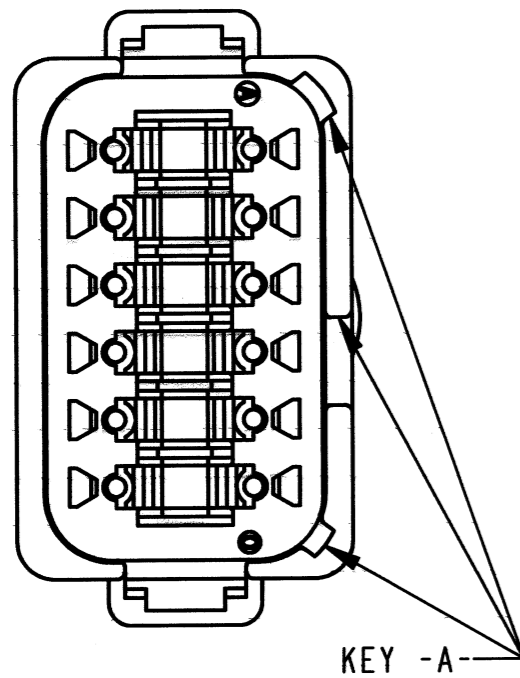
ENVELOPE

EP	MATL. CODE
3850 INDUSTRIAL AVE. HEMET, CA 92545	
<b>B</b>	<b>DT04-12P* -B016</b>
DWG SIZE	CODE 11139 SHEET 1 OF 2

REV		REVISIONS			
NC	DT04-12P*-B016	SYM	DESCRIPTION	DATE	APPROVED
		NC	SEE SHEET 1	3-11-11	RDR

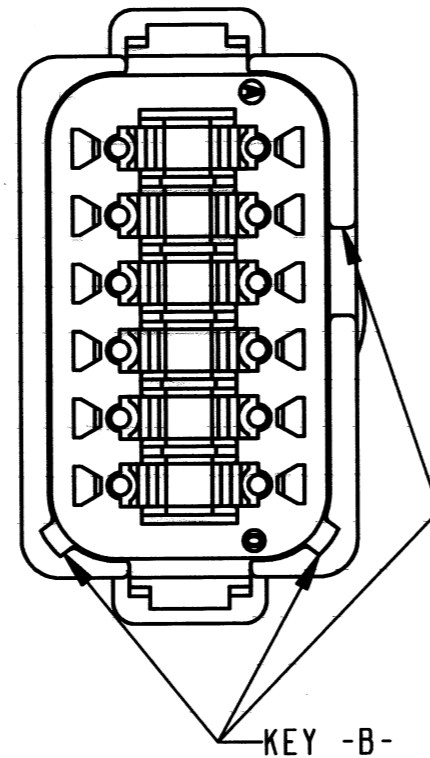
**DT04-12PA-B016**

KEY -A-  
COLOR: GREY



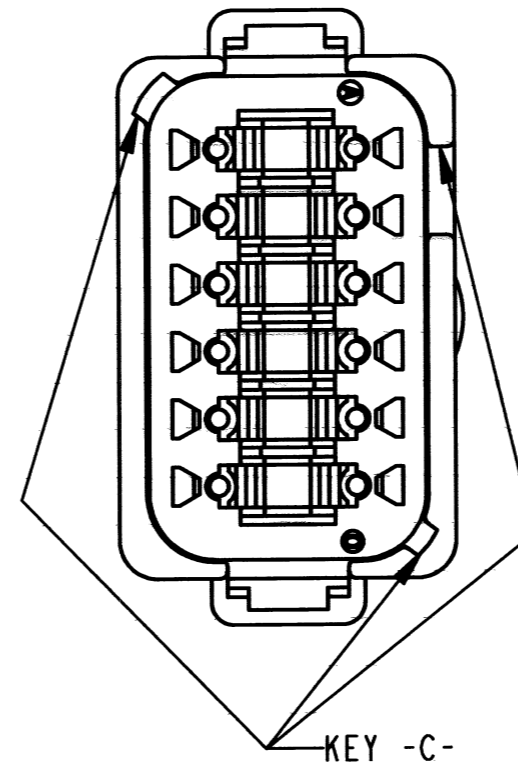
**DT04-12PB-B016**

KEY -B-  
COLOR: BLACK



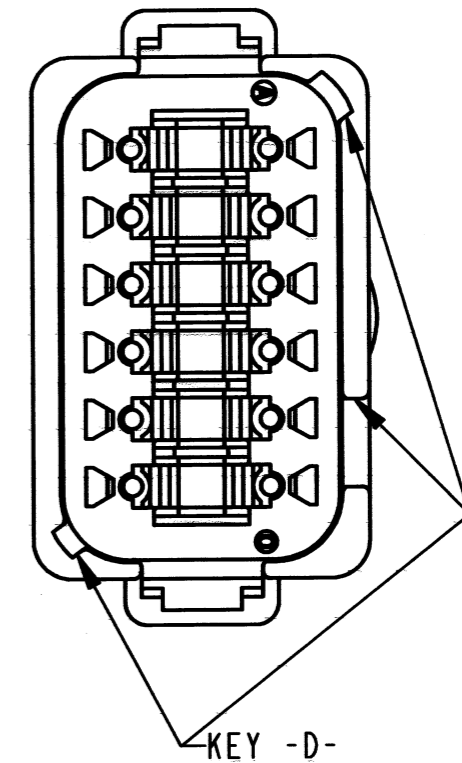
**DT04-12PC-B016**

KEY -C-  
COLOR: GREEN



**DT04-12PD-B016**

KEY -D-  
COLOR: BROWN



NOTES: SEE SHEET 1

SIGNATURE & DATE		12 WAY RECEPTACLE ENHANCED KEY DT SERIES	EP	MATL. CODE
DR	A. MALAGON 04MAR11		 3850 INDUSTRIAL AVE. HEMET, CA 92545	
CHK	B. B. 3/11/11		<b>DEUSCH</b> INDUSTRIAL	
PE	R. W. 3/4/11		<b>B</b> DT04-12P*-B016	
APPD	S. B. 3/10/11		DWG SIZE	CODE 11139
SCALE	NONE	WT	ENVELOPE	