

Chipsmall Limited consists of a professional team with an average of over 10 year of expertise in the distribution of electronic components. Based in Hongkong, we have already established firm and mutual-benefit business relationships with customers from,Europe,America and south Asia,supplying obsolete and hard-to-find components to meet their specific needs.

With the principle of “Quality Parts,Customers Priority,Honest Operation,and Considerate Service”,our business mainly focus on the distribution of electronic components. Line cards we deal with include Microchip,ALPS,ROHM,Xilinx,Pulse,ON,Everlight and Freescale. Main products comprise IC,Modules,Potentiometer,IC Socket,Relay,Connector.Our parts cover such applications as commercial,industrial, and automotives areas.

We are looking forward to setting up business relationship with you and hope to provide you with the best service and solution. Let us make a better world for our industry!



Contact us

Tel: +86-755-8981 8866 Fax: +86-755-8427 6832

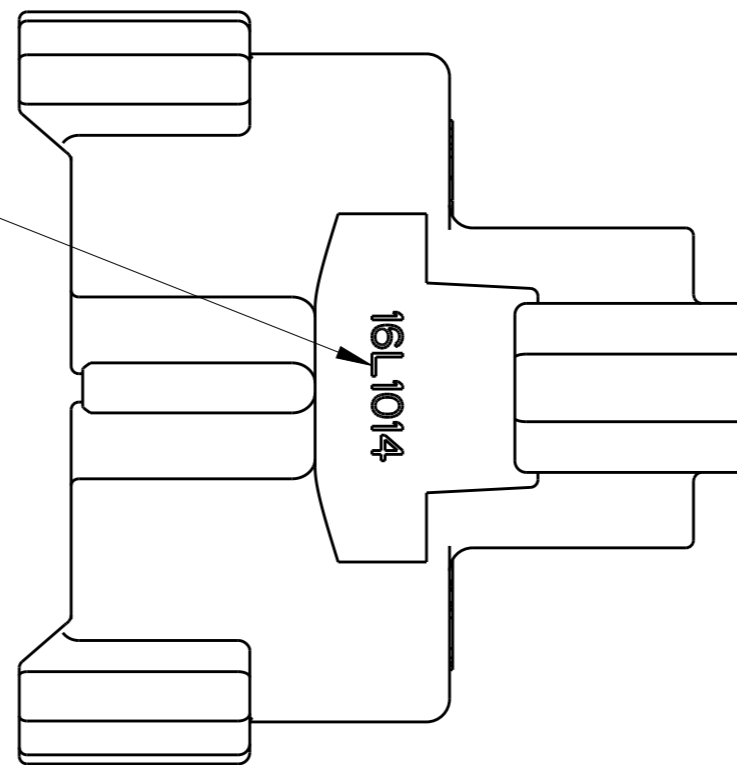
Email & Skype: info@chipsmall.com Web: www.chipsmall.com

Address: A1208, Overseas Decoration Building, #122 Zhenhua RD., Futian, Shenzhen, China

THIS DRAWING IS UNPUBLISHED
 (C) COPYRIGHT 1995 BY TE CONNECTIVITY ALL RIGHTS RESERVED.

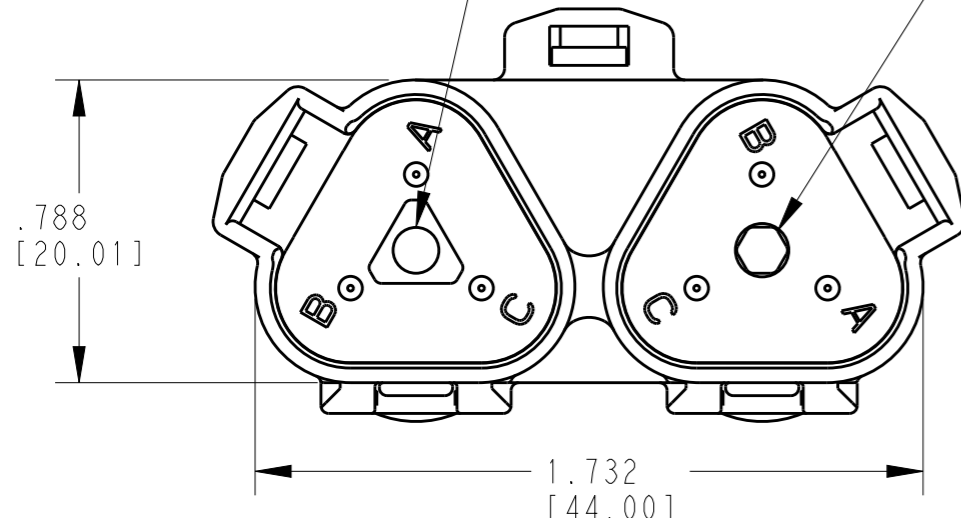
LOC		DIST		REVISIONS		
P	LTR	DESCRIPTION	DATE	DWN	APVD	
	A	MODIFIED PER E.O. P14945	28DEC1995	CW	RDR	
	B	REVISED PER E.O. P17144	27FEB2001	TY	RDR	
	B1	REVISED PER EC0-15-001241	26JAN2015	JA	DM	
	B2	REVISED PER PCN-E-16-015867	09NOV2016	KM	DM	

7 DIGIT DATECODE
 YEAR: FIRST AND SECOND DIGITS. (16 = 2016)
 MONTH: THRID DIGIT, EXCLUDING I. A = JAN.,
 B = FEB., C = MARCH.... (L = NOVEMBER)
 DAY: FOURTH AND FIFTH DIGITS (10 = 10th DAY)
 HOUR: SIXTH AND SEVENTH DIGITS (14 = 2-3PM)

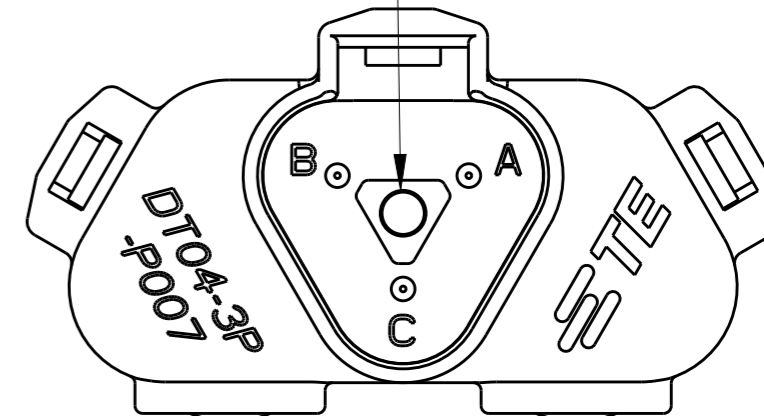


DT 3PIN INTERFACE FOR J1939
 USE W3S-J1939 OR W3S-J1939-P012 WEDGE LOCK

DT 3PIN INTERFACE FOR J1939
 USE W3S OR W3S-P012 WEDGE LOCK



DT 3PIN INTERFACE FOR J1939
 USE W3S-J1939 OR W3S-J1939-P012 WEDGE LOCK




TE INTERNAL PN	DEUTSCH PN
DT04-3P-P007	DT04-3P-P007

3 MATERIAL: RECEPTACLE HOUSING: NYLON 6/6 15% GF, COLOR: GREY; CONTACTS: COPPER ALLOY, GOLD PLATED.

2. THIS RECEPTACLE MATES WITH THE DT06-3S-XXXX PLUG. (XXXX = ALL MODIFICATIONS) SEE NOTES FOR APPROPRIATE WEDGE LOCK.

1. CONSULT FACTORY FOR SPECIFICATIONS.

NOTES:

THIS DRAWING IS A CONTROLLED DOCUMENT.		DWN 17AUG1995 CLARK WOODRUFF	 TE Connectivity			
DIMENSIONS: INCHES [mm]		CHK 27FEB2001 ALEX ROLINSKI			NAME 3 WAY T-RECEPTACLE -P007 MOD DT SERIES	
TOLERANCES UNLESS OTHERWISE SPECIFIED:		APVD 26FEB2001 STEVE BEARD	SIZE A3	CAGE CODE 4AFU8	DRAWING NO DT04-3P-P007	RESTRICTED TO GEN
0 PLC ± 1 PLC ± 2 PLC ± 3 PLC ±.025 [0.64] 4 PLC ± ANGLES ±0°30'0"		PRODUCT SPEC N/A	SCALE 1:1		SHEET 1 OF 1	REV B2
MATERIAL 3		FINISH N/A	WEIGHT 23.70g		Customer Drawing	