



Chipsmall Limited consists of a professional team with an average of over 10 year of expertise in the distribution of electronic components. Based in Hongkong, we have already established firm and mutual-benefit business relationships with customers from,Europe,America and south Asia,supplying obsolete and hard-to-find components to meet their specific needs.

With the principle of “Quality Parts,Customers Priority,Honest Operation,and Considerate Service”,our business mainly focus on the distribution of electronic components. Line cards we deal with include Microchip,ALPS,ROHM,Xilinx,Pulse,ON,Everlight and Freescale. Main products comprise IC,Modules,Potentiometer,IC Socket,Relay,Connector.Our parts cover such applications as commercial,industrial, and automotives areas.

We are looking forward to setting up business relationship with you and hope to provide you with the best service and solution. Let us make a better world for our industry!



## Contact us

Tel: +86-755-8981 8866 Fax: +86-755-8427 6832

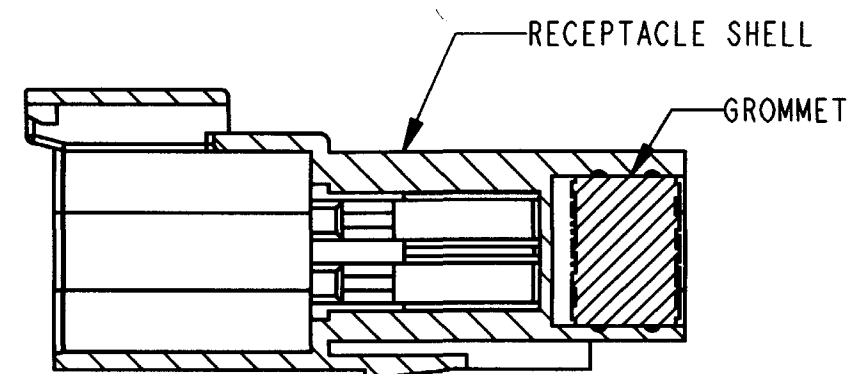
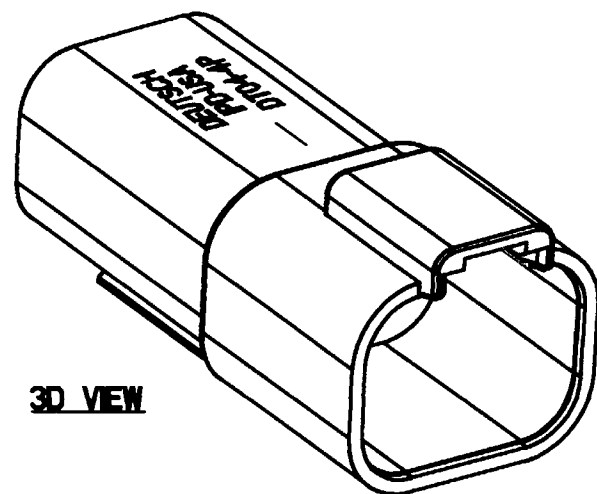
Email & Skype: info@chipsmall.com Web: www.chipsmall.com

Address: A1208, Overseas Decoration Building, #122 Zhenhua RD., Futian, Shenzhen, China



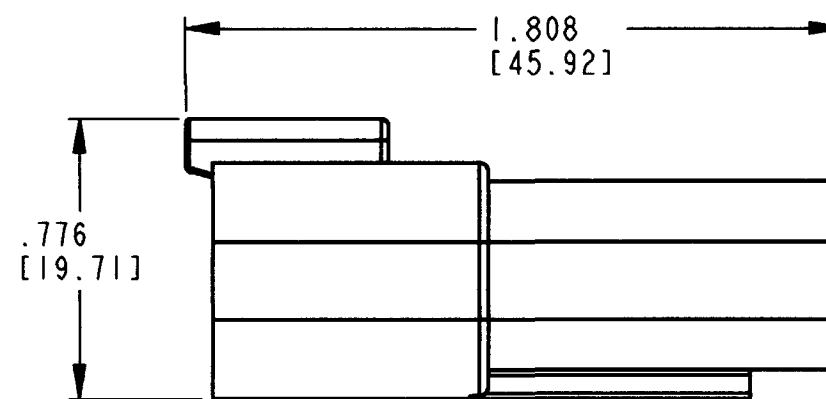
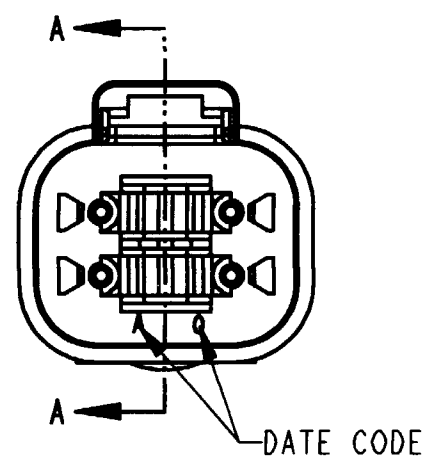
REV  
NC DT04-4P-C015

REVISIONS			
SYM	DESCRIPTION	DATE	APPROVED
NC	NEW RELEASE PER E.O. A16795	8-17-00	RDR

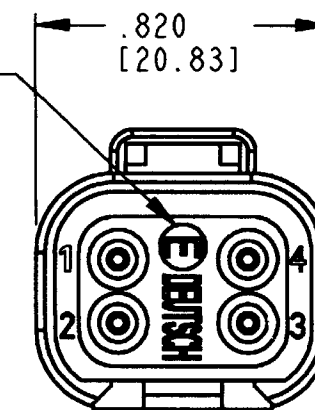


SECTION A-A

CONTACT SIZE	MIN. INSUL O.D.	MAX. INSUL O.D.	WIRE RANGE [mm <sup>2</sup> ]
16	.053 [1.35]	.120 [3.05]	14-20 AWG [2.0-0.5]



-E- DESIGNATES GROMMET WITH REDUCED WIRE SEAL



-DATE CODE-  
MONTH IS REPRESENTED BY SEQUENTIAL ALPHA CHARACTERS.  
EX. A = JANUARY  
YEAR IS REPRESENTED BY LAST DIGIT.  
EX. 0 = 2000

- NOTES:
1. DIMENSIONS ARE IN INCHES [MILLIMETERS].
  2. DIMENSIONS ARE ± .025[0.63] UNLESS OTHERWISE SPECIFIED.
  3. FOR CONTACTS AND WIRE PERFORMANCES AND APPLICATION CHARACTERISTICS, SEE ENVELOPE DRAWING 0425-015-0000 AND 0425-017-0000.
  4. THIS RECEPTACLE MATES WITH THE DT06-4S-\*\*\*\* PLUG (\*\*\*\* = ALL MODIFICATIONS). CONSULT FACTORY FOR MODIFICATIONS.

SIGNATURE & DATE	
DR	T. YOHANNES 8/9/00
CHK	<i>[Signature]</i> 8/17/00
PE	<i>[Signature]</i>
APPD	<i>[Signature]</i> 8-17-00
SCALE	NONE WT

4 WAY RECEPTACLE  
REDUCED WIRE SEALS  
-C015 MOD.  
DT SERIES

ENVELOPE

CP	MATL. CODE
<b>The Deutch Company</b> DEUTSCH I.P.D. 3850 INDUSTRIAL AVE. HEMET, CALIF. 92545	
<b>B DT04-4P-C015</b>	
DWG SIZE	CODE 11139 SHEET   OF