



Chipsmall Limited consists of a professional team with an average of over 10 year of expertise in the distribution of electronic components. Based in Hongkong, we have already established firm and mutual-benefit business relationships with customers from,Europe,America and south Asia,supplying obsolete and hard-to-find components to meet their specific needs.

With the principle of “Quality Parts,Customers Priority,Honest Operation,and Considerate Service”,our business mainly focus on the distribution of electronic components. Line cards we deal with include Microchip,ALPS,ROHM,Xilinx,Pulse,ON,Everlight and Freescale. Main products comprise IC,Modules,Potentiometer,IC Socket,Relay,Connector.Our parts cover such applications as commercial,industrial, and automotives areas.

We are looking forward to setting up business relationship with you and hope to provide you with the best service and solution. Let us make a better world for our industry!



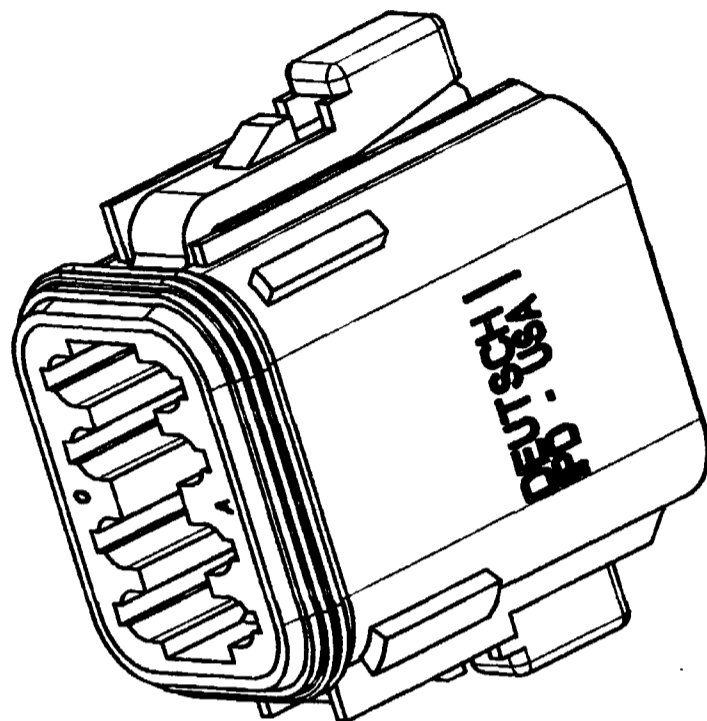
Contact us

Tel: +86-755-8981 8866 Fax: +86-755-8427 6832

Email & Skype: info@chipsmall.com Web: www.chipsmall.com

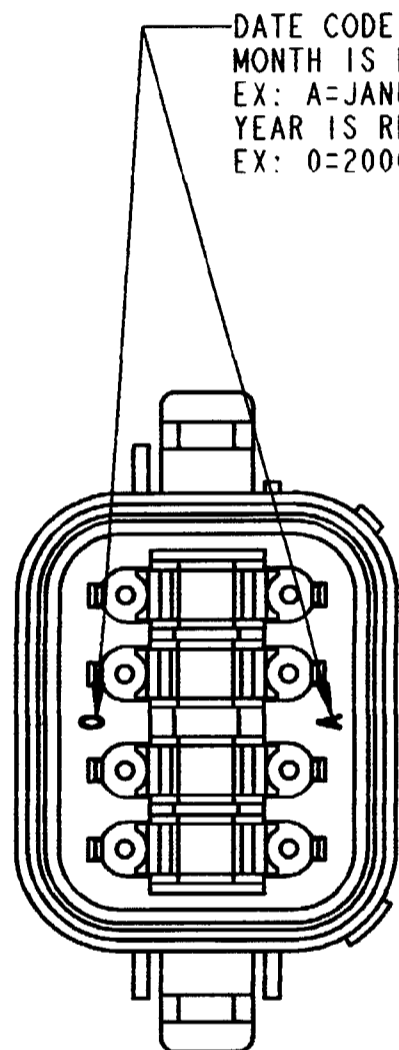
Address: A1208, Overseas Decoration Building, #122 Zhenhua RD., Futian, Shenzhen, China



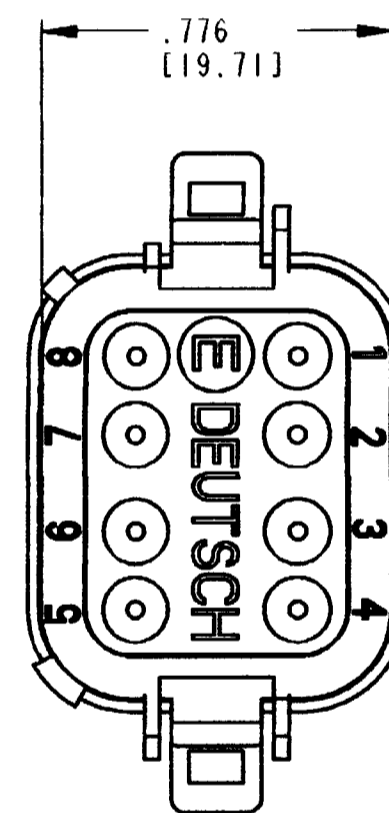
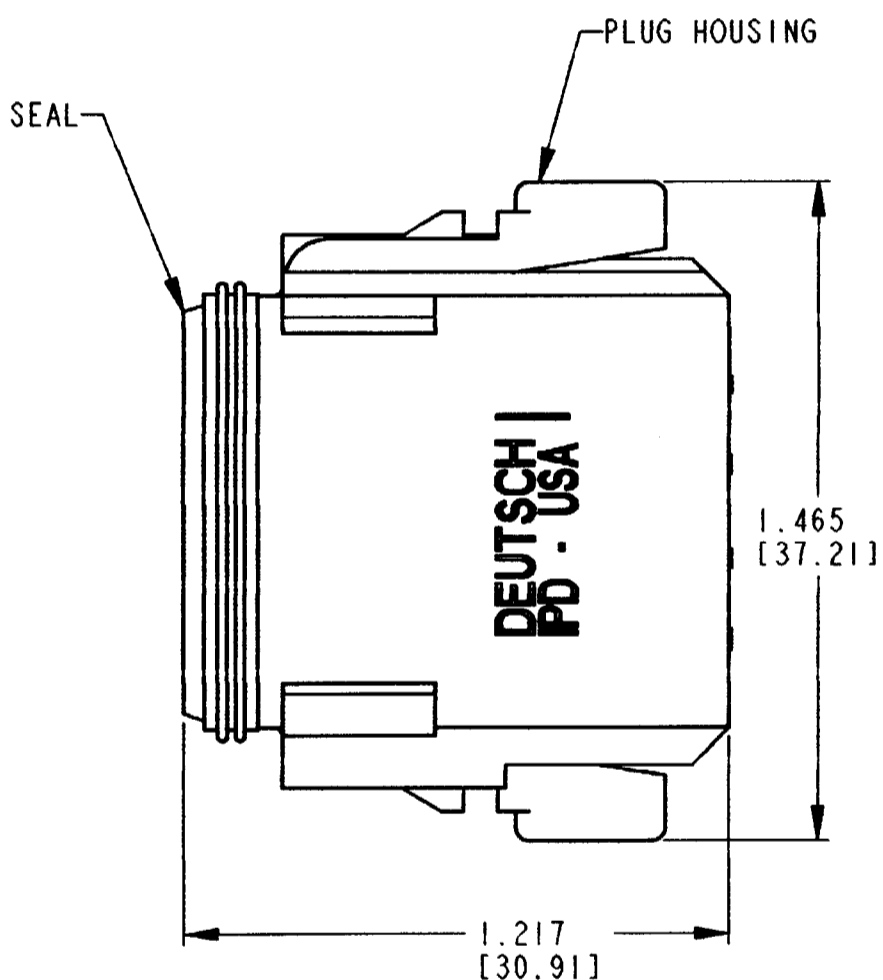


3D VIEW

CONTACT SIZE	MIN. INSUL O.D.	MAX. INSUL O.D.	WIRE RANGE [mm ²]
16	.053 [1.35]	.120 [3.05]	14-20 AWG [2.0-0.5]



DATE CODE:
MONTH IS REPRESENTED BY SEQUENTIAL ALPHA CHARACTERS.
EX: A=JANUARY
YEAR IS REPRESENTED BY LAST NUMERICAL DIGIT.
EX: 0=2000



REV	SYM	REVISIONS		
		DESCRIPTION	DATE	APPROVED
A	DT06-08SA-CE10			
	NC	NEW RELEASE PER E.O. P16304	9/10/99	R.D.R.
	A	REVISED PER E.O. P19538	5-17-07	ADR

4. THIS PLUG MATES WITH DT04-08PA-**** RECEPTACLE (**** = ALL MODIFICATIONS). CONSULT FACTORY FOR MODIFICATIONS.
 3. FOR CONTACTS AND WIRE PERFORMANCE AND APPLICATION CHARACTERISTICS SEE ENVELOPE DRAWING 0425-015-0000 AND 0425-017-0000.
 2. DIMENSIONS ARE ±.025[0.63] UNLESS OTHERWISE SPECIFIED.
 1. DIMENSIONS ARE IN INCHES [MILLIMETERS].
- NOTES:

SIGNATURE & DATE	
DR	S. THEIS 9/9/99
CHK	[Signature] 5/17/07
PE	R. Wainwright 5/17/07
APPD	S. Brand 5-10-07
SCALE	2.5:1 WT

8 WAY PLUG
-A- KEY
COLOR: BLACK
W/ REDUCED WIRE SEALS
SEAL RETENTION DESIGN
DT SERIES
ENVELOPE

MATERIAL CODE	
EP	The Deutsch Company DEUTSCH I.P.D. 3850 INDUSTRIAL AVE. HEMET, CALIF. 92545
B	DT06-08SA-CE10
DWG SIZE	CODE 11139 SHEET 1 OF 1