



Chipsmall Limited consists of a professional team with an average of over 10 year of expertise in the distribution of electronic components. Based in Hongkong, we have already established firm and mutual-benefit business relationships with customers from,Europe,America and south Asia,supplying obsolete and hard-to-find components to meet their specific needs.

With the principle of “Quality Parts,Customers Priority,Honest Operation,and Considerate Service”,our business mainly focus on the distribution of electronic components. Line cards we deal with include Microchip,ALPS,ROHM,Xilinx,Pulse,ON,Everlight and Freescale. Main products comprise IC,Modules,Potentiometer,IC Socket,Relay,Connector.Our parts cover such applications as commercial,industrial, and automotives areas.

We are looking forward to setting up business relationship with you and hope to provide you with the best service and solution. Let us make a better world for our industry!



Contact us

Tel: +86-755-8981 8866 Fax: +86-755-8427 6832

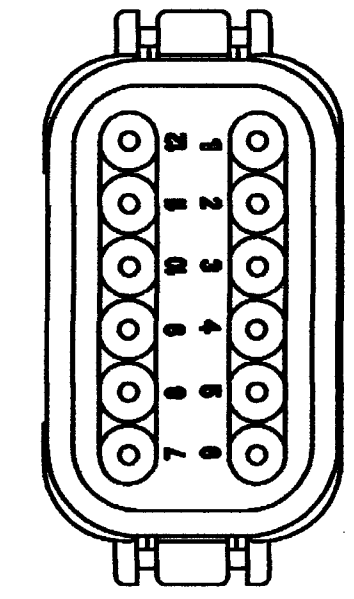
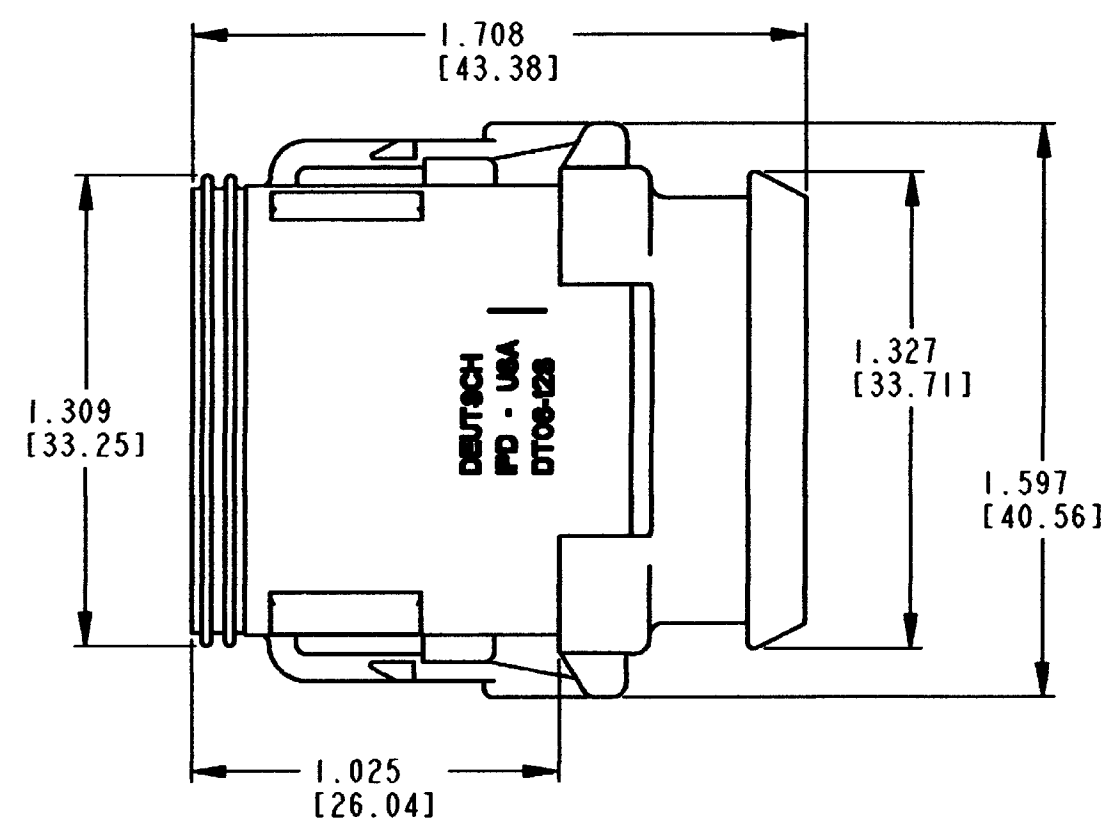
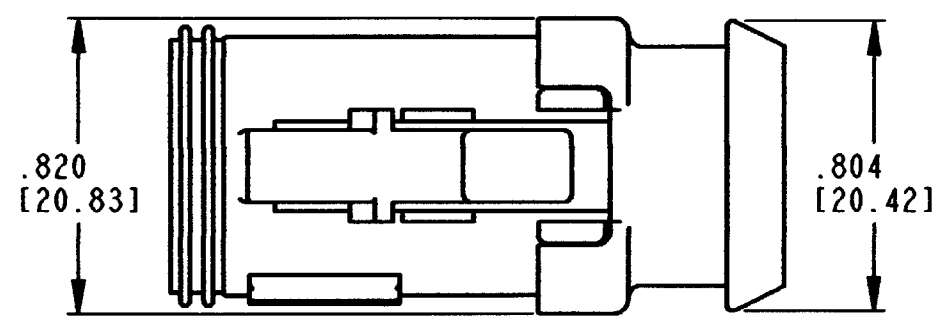
Email & Skype: info@chipsmall.com Web: www.chipsmall.com

Address: A1208, Overseas Decoration Building, #122 Zhenhua RD., Futian, Shenzhen, China

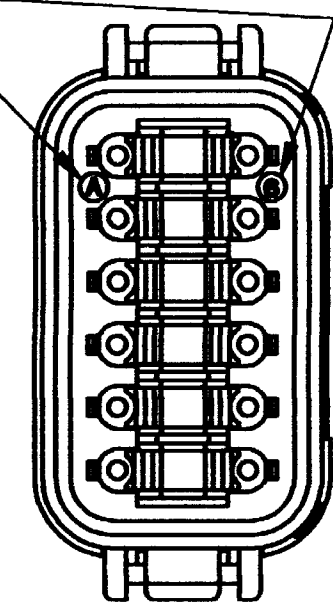


REV
C DT06-12SA-E008

REVISIONS			
SYM	DESCRIPTION	DATE	APPROVED
NC	NEW RELEASE PER E.O. P15592	4/29/98	R.D.R.
A	REVISED PER E.O. P16823	8/28/00	R.D.R.
B	REVISED PER E.O. P17333	8/20/01	R.D.R.
C	REVISED PER E.O. P19452	3-1-07	ADR



DATE CODE: YEAR IS REPRESENTED BY THE LAST NUMERICAL DIGIT. EX: 6 = 2006
MONTH IS REPRESENTED BY SEQUENTIAL ALPHA CHARACTERS. EX: A = JANUARY



- NOTES:
- DIMENSIONS ARE IN INCHES [MILLIMETERS].
 - DIMENSIONS ARE $\pm .025$ [0.63] UNLESS OTHERWISE SPECIFIED.
 - CONSULT FACTORY FOR CONTACT SPECIFICATION AND APPLICATION.
 - FOR MORE INFORMATION, SEE ENVELOPE DWG. 0425-017-0000 AND 0425-015-0000
 - PART MATES WITH RECEPTACLE PART NUMBER DT04-12PA-**** (**** = ALL MODIFICATIONS).

SIGNATURE & DATE	
DR	A. MALAGON 11 JAN 07
CHK	<i>[Signature]</i> 12/13/07
PE	<i>[Signature]</i> 2/1/07
APPD	<i>[Signature]</i> 2-28-07
SCALE	NONE WT

12 WAY PLUG
-E008 MOD.
KEY ARR. -A-
DT SERIES

ENVELOPE

EP	MATL. CODE
The Deutsch Company DEUTSCH I.P.D. 3850 INDUSTRIAL AVE. HEMET, CALIF. 92545	
B	DT06-12SA-E008
DWG SIZE	CODE 11139 SHEET 1 OF 1