

Chipsmall Limited consists of a professional team with an average of over 10 year of expertise in the distribution of electronic components. Based in Hongkong, we have already established firm and mutual-benefit business relationships with customers from,Europe,America and south Asia,supplying obsolete and hard-to-find components to meet their specific needs.

With the principle of “Quality Parts,Customers Priority,Honest Operation,and Considerate Service”,our business mainly focus on the distribution of electronic components. Line cards we deal with include Microchip,ALPS,ROHM,Xilinx,Pulse,ON,Everlight and Freescale. Main products comprise IC,Modules,Potentiometer,IC Socket,Relay,Connector.Our parts cover such applications as commercial,industrial, and automotives areas.

We are looking forward to setting up business relationship with you and hope to provide you with the best service and solution. Let us make a better world for our industry!

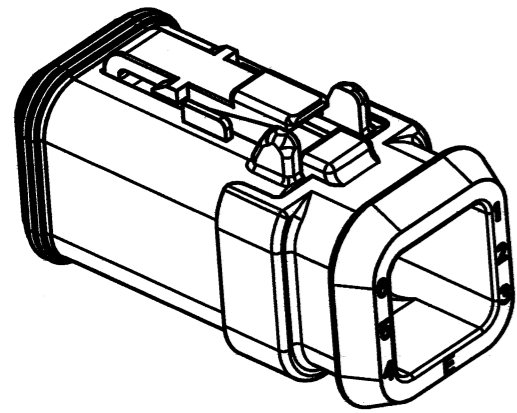


Contact us

Tel: +86-755-8981 8866 Fax: +86-755-8427 6832

Email & Skype: info@chipsmall.com Web: www.chipsmall.com

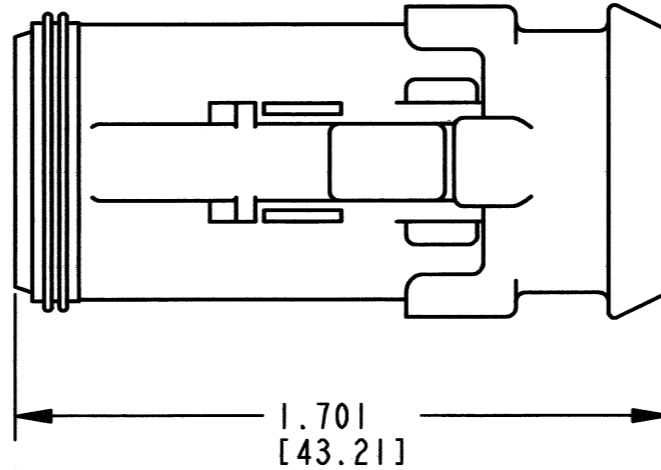
Address: A1208, Overseas Decoration Building, #122 Zhenhua RD., Futian, Shenzhen, China



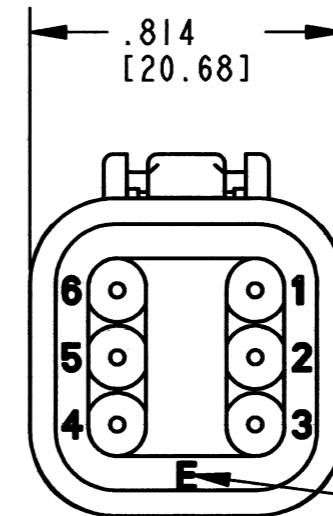
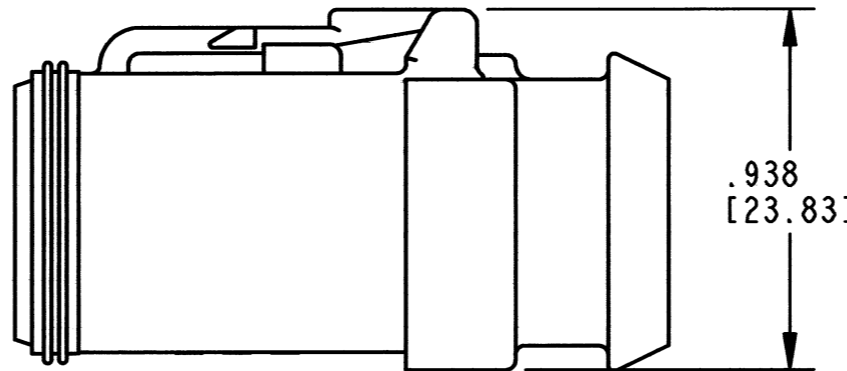
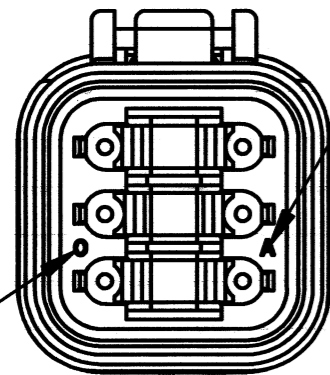
3D VIEW

REV
NC **DT06-6S-CE13**

REVISIONS			
SYM	DESCRIPTION	DATE	APPROVED
NC	NEW RELEASE PER E.O. P20912	7-12-11	ADD



MONTH IS REPRESENTED BY SEQUENTIAL ALPHA CHARACTERS.
EX: A = JANUARY.



E- SYMBOL DESIGNATES REDUCED WIRE SEAL

YEAR IS REPRESENTED BY THE LAST DIGIT. EX: 0=2010.

CONTACT SIZE	MIN. INSUL O.D.	MAX. INSUL. O.D.	WIRE RANGE [mm ²]
16	.053 [1.35]	.120 [3.05]	14-20 AWG [2.0-0.5]

5. MATERIAL - SHELL: PLASTIC; SEAL: RUBBER
COLOR: BLACK

4. THIS PLUG MATES WITH DT04-6P-**** RECEPTACLE. (****=ALL MODIFICATIONS).
CONSULT FACTORY FOR MODIFICATION.

3. FOR CONTACTS AND WIRE PERFORMANCE AND APPLICATION CHARACTERSTICS
SEE ENVELOPE DRAWING 0425-015-0000 AND 0425-017-0000.

2. DIMENSIONS ARE ±.025[0.63] UNLESS OTHERWISE SPECIFIED.


1. DIMENSIONS ARE IN INCHES [MILLIMETERS].

NOTES:

SIGNATURE & DATE	
DR	A. MALAGON 01 JUN 11
CHK	D. Byford 7/7/2011
PE	K. Mason 6/2/11
APPD	J. Beard 7/7/11
SCALE	NONE
WT	

**6 WAY PLUG
E-SEAL/EXTENDED CAP
COLOR: BLACK
DT SERIES**

ENVELOPE

EP	MATL. CODE
 3850 INDUSTRIAL AVE. HEMET, CA 92545	
DEUTSCH INDUSTRIAL	
B	DT06-6S-CE13
DWG SIZE	CODE 11139 SHEET OF