



Chipsmall Limited consists of a professional team with an average of over 10 year of expertise in the distribution of electronic components. Based in Hongkong, we have already established firm and mutual-benefit business relationships with customers from,Europe,America and south Asia,supplying obsolete and hard-to-find components to meet their specific needs.

With the principle of “Quality Parts,Customers Priority,Honest Operation,and Considerate Service”,our business mainly focus on the distribution of electronic components. Line cards we deal with include Microchip,ALPS,ROHM,Xilinx,Pulse,ON,Everlight and Freescale. Main products comprise IC,Modules,Potentiometer,IC Socket,Relay,Connector.Our parts cover such applications as commercial,industrial, and automotives areas.

We are looking forward to setting up business relationship with you and hope to provide you with the best service and solution. Let us make a better world for our industry!



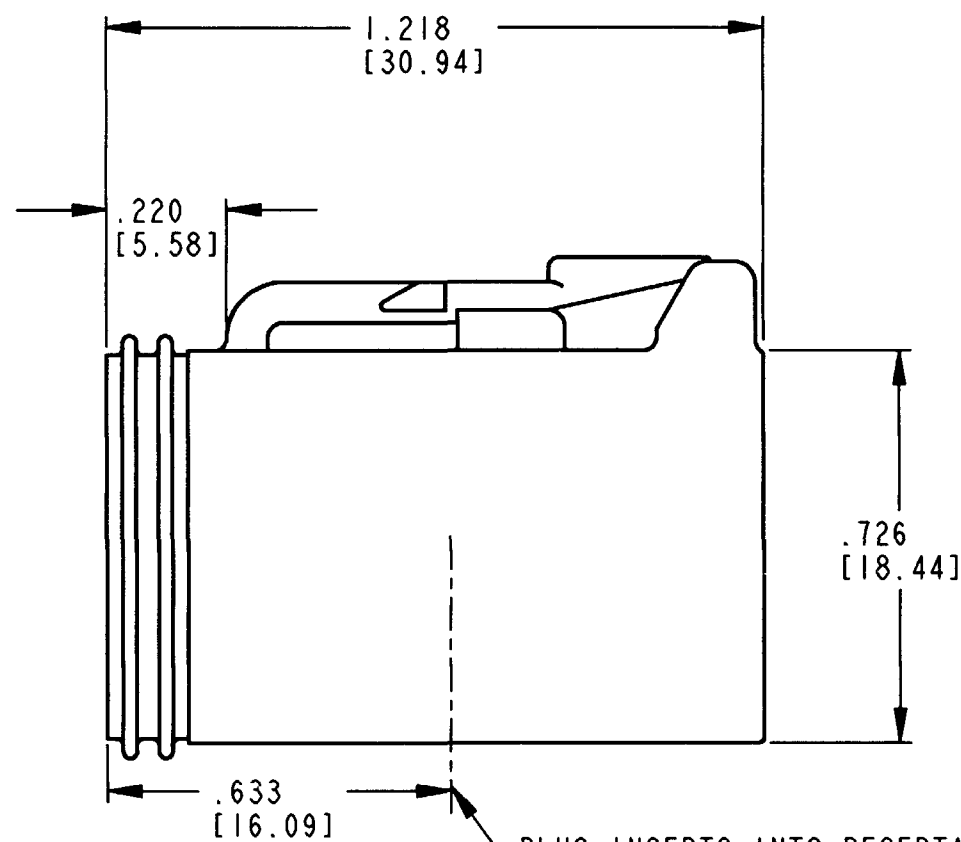
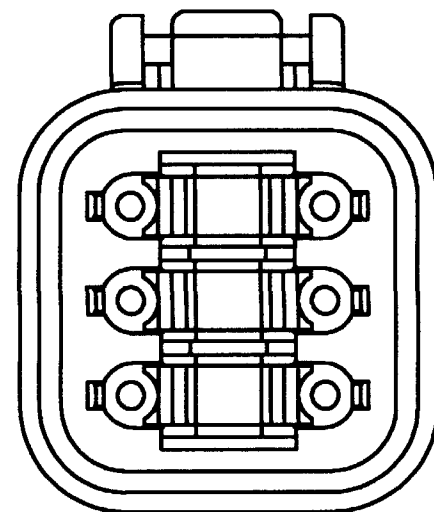
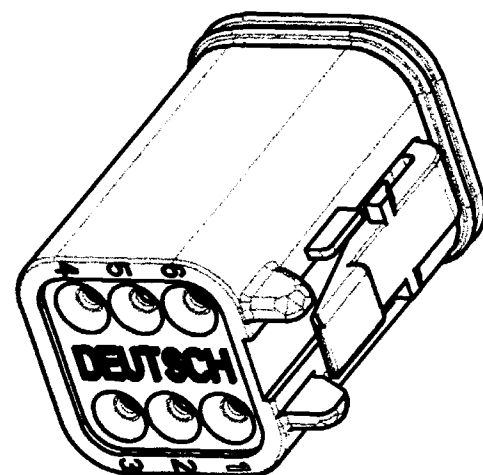
## Contact us

Tel: +86-755-8981 8866 Fax: +86-755-8427 6832

Email & Skype: info@chipsmall.com Web: www.chipsmall.com

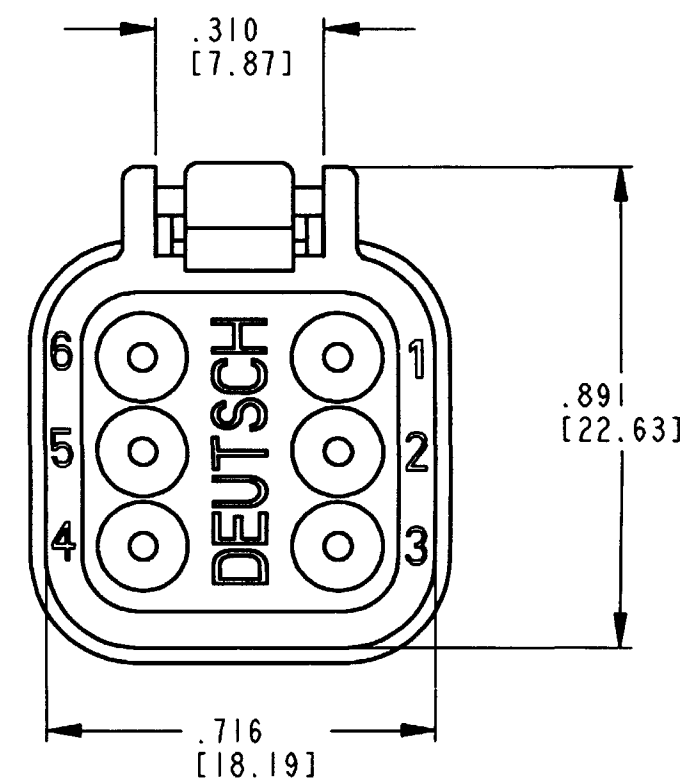
Address: A1208, Overseas Decoration Building, #122 Zhenhua RD., Futian, Shenzhen, China





REV  
C DT06-6S

REVISIONS			
SYM	DESCRIPTION	DATE	APPROVED
NC	NEW RELEASE PER E.O. A09286	12/5/89	JA
A	REVISED PER E.O. A09335	9/6/90	JA
B	REVISED PER E.O. P15019	4/4/96	RDR
C	REVISED PER E.O. P16035	5-13-99	RDR



PLUG INSERTS INTO RECEPTACLE WITHIN THIS DISTANCE.

CONTACT SIZE	MIN. INSUL O.D.	MAX. INSUL O.D.	WIRE RANGE [mm <sup>2</sup> ]
16	.088 [2.23]	.145 [3.68]	14-20 AWG [2.0-0.5]

5. THIS PART MATES WITH THE DT04-6P-\*\*\*\* (\*\*\*\* = ALL MODIFICATIONS).
4. FOR MORE INFO. SEE DRAWING 0425-015-0000 AND 0425-017-0000.
3. CONSULT FACTORY FOR CONTACT SPECIFICATION AND APPLICATION.
2. ALL DIMENSIONS ARE ±.025 [0.63] UNLESS OTHERWISE SPECIFIED.

NOTES: 1. ALL DIMENSIONS ARE IN INCHES (MILLIMETERS).

SIGNATURE & DATE	
DR	D. SPENCER 29 JAN 99
CHK	<i>[Signature]</i> 5-7-99
PE	<i>[Signature]</i> 5-7-99
APPD	<i>[Signature]</i> 5-13-99
SCALE	3:1 WT

6 WAY PLUG  
DT SERIES

ENVELOPE

CP	MATL. CODE
<b>The Deutsch Company</b> DEUTSCH I.P.D. 3850 INDUSTRIAL AVE. HEMET, CALIF. 92545	
<b>B</b>	<b>DT06-6S</b>
DWG SIZE	CODE 11139 SHEET   OF