



Chipsmall Limited consists of a professional team with an average of over 10 year of expertise in the distribution of electronic components. Based in Hongkong, we have already established firm and mutual-benefit business relationships with customers from,Europe,America and south Asia,supplying obsolete and hard-to-find components to meet their specific needs.

With the principle of “Quality Parts,Customers Priority,Honest Operation,and Considerate Service”,our business mainly focus on the distribution of electronic components. Line cards we deal with include Microchip,ALPS,ROHM,Xilinx,Pulse,ON,Everlight and Freescale. Main products comprise IC,Modules,Potentiometer,IC Socket,Relay,Connector.Our parts cover such applications as commercial,industrial, and automotives areas.

We are looking forward to setting up business relationship with you and hope to provide you with the best service and solution. Let us make a better world for our industry!



Contact us

Tel: +86-755-8981 8866 Fax: +86-755-8427 6832

Email & Skype: info@chipsmall.com Web: www.chipsmall.com

Address: A1208, Overseas Decoration Building, #122 Zhenhua RD., Futian, Shenzhen, China



40-65W Medical AC-DC External Power Supplies

Features

- ◆ CEC, EISA⁽¹⁾ & ErP Stage 2 Compliant
- ◆ Wide Range AC Input
- ◆ Medical Certifications
- ◆ 85% Efficient, >87% average (12V models & above)



Key Market Segments & Applications



Specifications

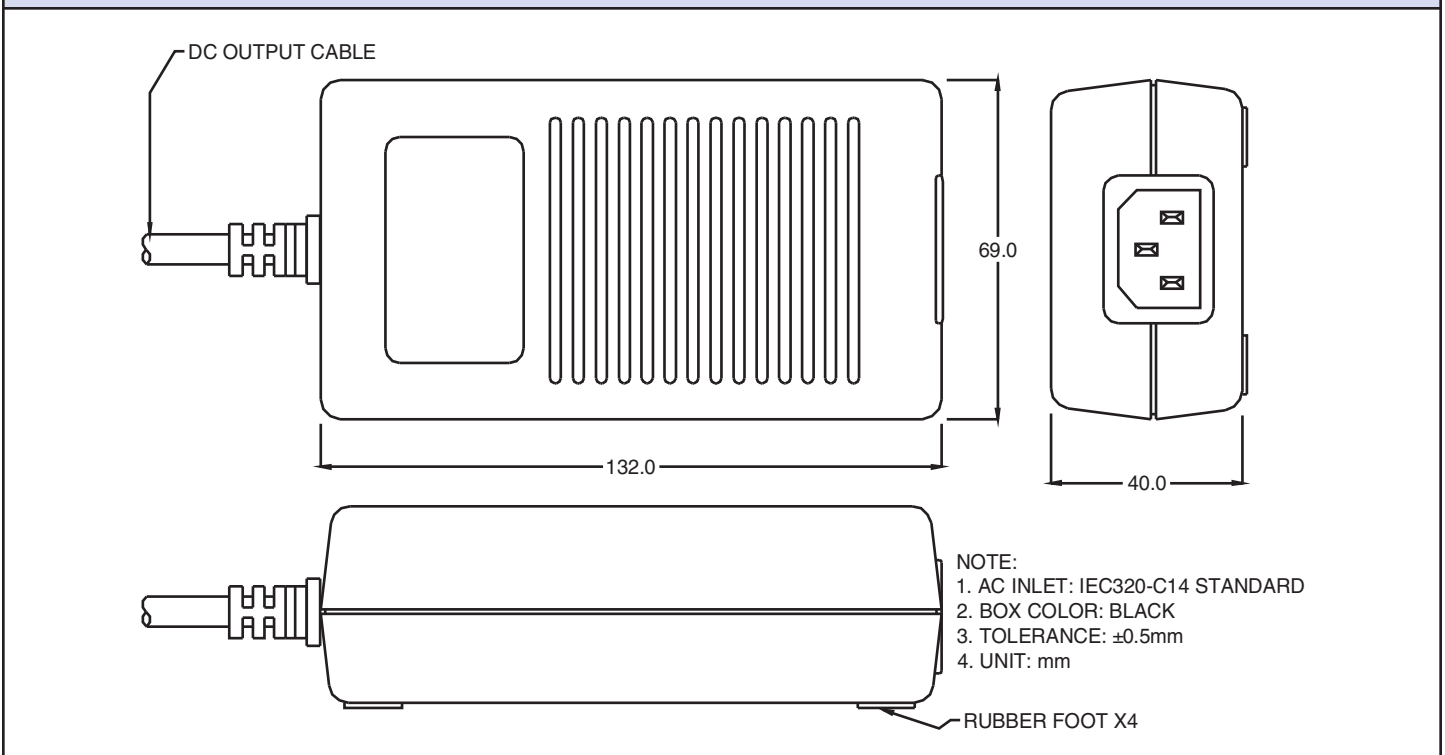
Model		
Input Voltage range	VAC	90 - 264VAC (47 - 63Hz)
Inrush Current	A	<100A at 230VAC input, 25°C ambient cold start
Input Current	A	2A at 90VAC, Full Load
Power Factor	-	Meets EN61000-3-2 Class A
Leakage Current (264VAC 63Hz)	µA	<300µA
Hold Up Time (Typ)	ms	16ms at 115VAC input
Temperature Coefficient	-	±0.05%/°C
Voltage Accuracy	%	±1%
Adjustment Range	-	None
Minimum Load	A	None
Total Regulation	-	5V to 15V Models: ±5%, >15V models ±3%
Ripple & Noise	%	1% or 100mV whichever is the greater
Short Circuit Protection	-	Continuous - hiccup mode
Overvoltage Protection	V	110 - 150% of nominal (Cycle input power to reset)
Efficiency	%	>87%, average efficiency for 12V and greater models, >75% <12V models
Operating Temperature	-	0 to +50°C
Storage Temperature	-	-10 to +70°C
Humidity (non condensing)	-	10 - 90% RH
Cooling	-	Convection
Withstand Voltage	-	Input to Ground 1.5kVAC, Input to Output 4kVAC (Reinforced) (2 x MOPPS 3rd Edition) (Output is connected to Ground)
Vibration (non operating)	-	23.52m/s ² (10 - 55Hz: constant sweep 1 min X, Y, Z for 1 hour)
Shock	-	< 196.1 m/s ² (20G)
Safety Agency Approvals	-	UL/CSA/IEC/EN 60601-1, ANSI/AAMI ES60601-1, CE Mark
California Energy Commission (CEC)	-	See model selector
EISA	-	See model selector
Offload Power Consumption	-	< 0.5W
Conducted & Radiated EMI	-	EN55011, EN60601-1-2 Class B
Immunity	-	EN55011: 2007 +A2: 2007
Weight (Typ)	g	460g
Size (WxLxH)	in	2.72 x 5.2 x 1.57
Cable Length	mm	1050mm
AC Input Connector	-	IEC 320-C14 (Accepts IEC 320-C13)
Output Connector	-	Kycon KPPx-4P or equivalent, Pins 1 & 2: -Vout, Pins 3 & 4: +Vout
Warranty	yrs	Two Years

(1) EISA - Energy Independence and Security Act of 2007

Output Ratings

Model	Output (V)	Maximum Output (A)	Maximum Power (W)	CEC	EISA Efficiency Level
DTM65PW050C	5	8.0	40	-	-
DTM65PW120C	12	5.0	60	V	V
DTM65PW150C	15	4.0	60	V	V
DTM65PW180C	18	3.6	65	V	V
DTM65PW240C	24	2.7	65	V	V
DTM65PW360C	36	1.8	65	V	V
DTM65PW480C	48	1.35	65	V	V

Outline Drawing



Other AC-DC Products

DT62-C	62W CEC Compliant Adapters
DT80-C	80W CEC Compliant Adapters
DT100 / 150-C	100W & 150W CEC Compliant Adapters
DTM110-C	110W CEC Compliant Medical Adapters

For Additional Information, please visit us.tdk-lambda.com/lp/products/dt-c-series.htm

