



Chipsmall Limited consists of a professional team with an average of over 10 year of expertise in the distribution of electronic components. Based in Hongkong, we have already established firm and mutual-benefit business relationships with customers from,Europe,America and south Asia,supplying obsolete and hard-to-find components to meet their specific needs.

With the principle of “Quality Parts,Customers Priority,Honest Operation,and Considerate Service”,our business mainly focus on the distribution of electronic components. Line cards we deal with include Microchip,ALPS,ROHM,Xilinx,Pulse,ON,Everlight and Freescale. Main products comprise IC,Modules,Potentiometer,IC Socket,Relay,Connector.Our parts cover such applications as commercial,industrial, and automotives areas.

We are looking forward to setting up business relationship with you and hope to provide you with the best service and solution. Let us make a better world for our industry!



Contact us

Tel: +86-755-8981 8866 Fax: +86-755-8427 6832

Email & Skype: info@chipsmall.com Web: www.chipsmall.com

Address: A1208, Overseas Decoration Building, #122 Zhenhua RD., Futian, Shenzhen, China



40W to 65W Medical Class II AC-DC External Power Supplies

Features

- ◆ Meets DOE Level VI Efficiency
- ◆ 60601-1 & 60601-1-11 Medical Certifications
- ◆ Class II Input
- ◆ < 0.21W Off-load Power Draw



Key Market Segments & Applications



Medical

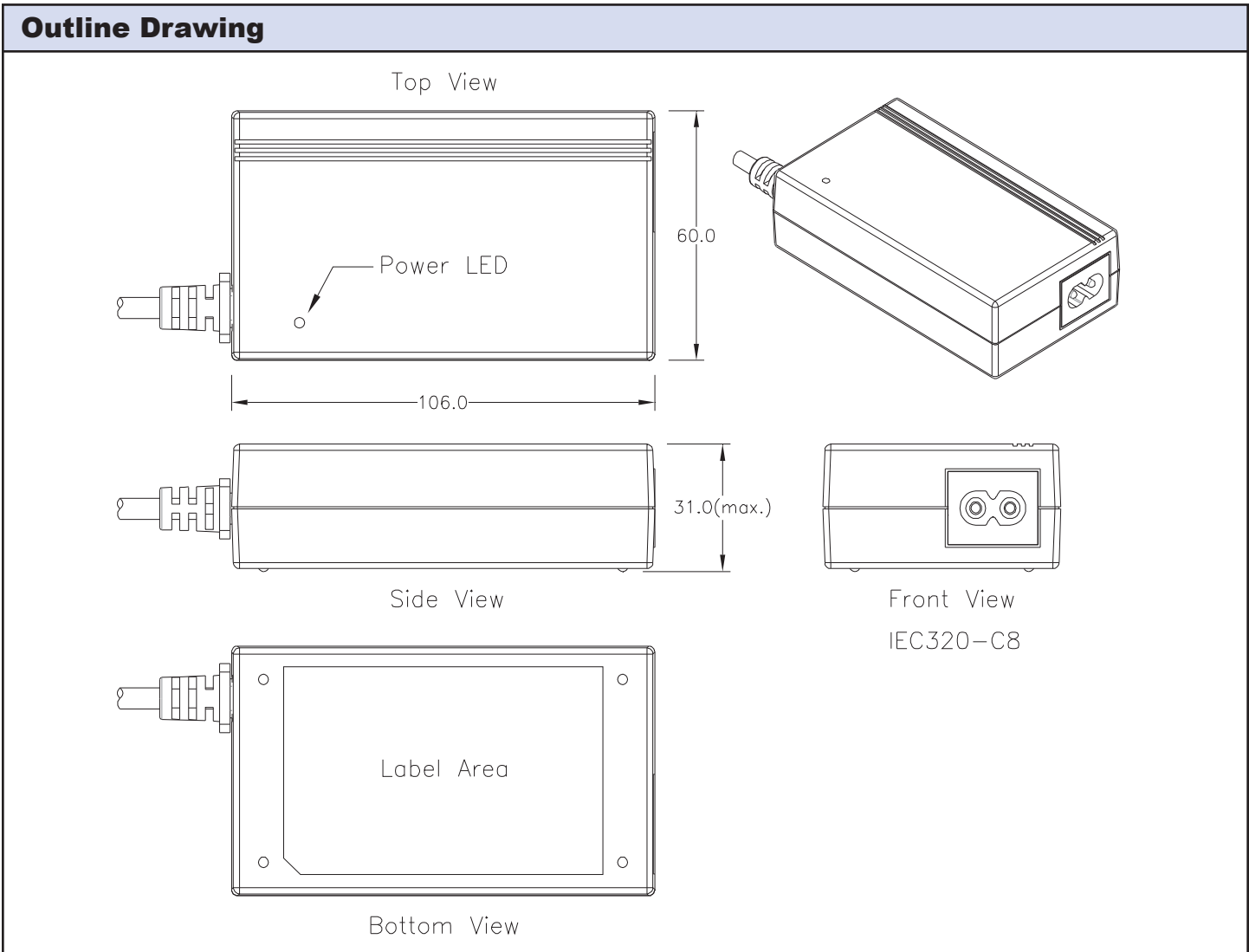


RoHS

Specifications

| Model | | |
|-------------------------------------|---------|---|
| Input Voltage range | VAC | 90 - 264VAC (47 - 63Hz) |
| Inrush Current | A | <100A at 230VAC input, 25°C ambient cold start |
| Input Current | A | 2A at 90VAC, Full Load |
| Power Factor | - | Meets EN61000-3-2 Class A |
| Hold Up Time (Typ) | ms | 10ms at 115VAC input |
| Temperature Coefficient | - | ±0.05%/°C |
| Voltage Accuracy | % | ±1% |
| Adjustment Range | - | None |
| Minimum Load | A | None |
| Total Regulation | - | 5V to 15V Models:±5%, >15V models ±3% |
| Ripple & Noise | % | 1% pk-pk |
| Overload & Short Circuit Protection | - | Continuous - hiccup mode |
| Overvoltage Protection | V | 110 - 150% of nominal (Cycle input power to reset) |
| Overtemperature Protection | - | Yes (Cycle input power to reset) |
| Efficiency | % | >88%, average efficiency (5V model: >83.8%) |
| Operating Temperature | - | 0 to +60°C derate linearly to 50% load from 41 to 60°C |
| Storage Temperature | °C | -10 to +70°C |
| Humidity (non condensing) | %RH | 10 - 90% RH |
| Cooling | - | Convection |
| Withstand Voltage | VAC | Input to Ground 1.5kVAC, Input to Output 4kVAC |
| Vibration (non operating) | - | 23.52m/s ² (10 - 55Hz: constant sweep 1 min X, Y, Z for 1 hour) |
| Shock | - | < 196.1 m/s ² (20G) |
| Safety Agency Certifications | - | ANSI/AAMI ES60601-1, EN/IEC60601-1, CSA-C22.2 No.60601 3rd edition (2 x MOPP) |
| Offload Power Consumption | W | < 0.21W |
| EMC | - | EN55011B, EN60601-1-2 |
| IP Rating | - | IP21 |
| Weight (Typ) | g | 240g |
| Size (WxLxH) | in (mm) | 2.36 x 4.17 x 1.22" (60 x 106 x 31mm) |
| Cable Length | mm | 1050mm |
| AC Input Connector | - | IEC 320-C8 (2 prong) |
| Output Connector | - | Kycon KPPX-4P or equivalent Pins 1 & 2: -Vout, Pins 3 & 4: +Vout |
| Warranty | Years | Three Years |

| Output Ratings | | | | |
|-----------------------|------------|--------------------|-------------------|------------------|
| Model | Output (V) | Maximum Output (A) | Maximum Power (W) | Efficiency Level |
| DTM65PW050C8 | 5 | 8 | 40 | V |
| DTM65PW120C8 | 12 | 5 | 60 | VI |
| DTM65PW150C8 | 15 | 4 | 60 | VI |
| DTM65PW190C8 | 19 | 3.42 | 65 | VI |
| DTM65PW240C8 | 24 | 2.7 | 65 | VI |
| DTM65PW280C8 | 28 | 2.32 | 65 | VI |
| DTM65PW480C8 | 48 | 1.35 | 65 | VI |



| Other AC-DC Products | |
|-----------------------------|-------------------------------------|
| DT62-C | 62W CEC Compliant Adapters |
| DT80-C | 80W CEC Compliant Adapters |
| DT100 / 150-C | 100W & 150W CEC Compliant Adapters |
| DTM110-C | 110W CEC Compliant Medical Adapters |

For Additional Information, please visit us.tdk-lambda.com/lp/products/dt-c-series.htm

