



Chipsmall Limited consists of a professional team with an average of over 10 year of expertise in the distribution of electronic components. Based in Hongkong, we have already established firm and mutual-benefit business relationships with customers from,Europe,America and south Asia,supplying obsolete and hard-to-find components to meet their specific needs.

With the principle of “Quality Parts,Customers Priority,Honest Operation,and Considerate Service”,our business mainly focus on the distribution of electronic components. Line cards we deal with include Microchip,ALPS,ROHM,Xilinx,Pulse,ON,Everlight and Freescale. Main products comprise IC,Modules,Potentiometer,IC Socket,Relay,Connector.Our parts cover such applications as commercial,industrial, and automotives areas.

We are looking forward to setting up business relationship with you and hope to provide you with the best service and solution. Let us make a better world for our industry!



Contact us

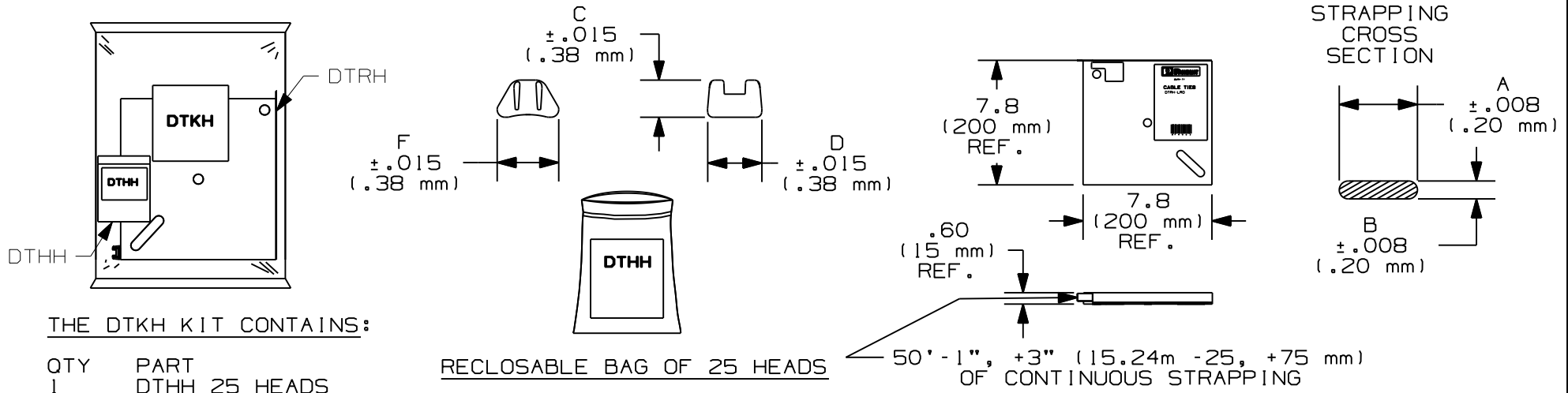
Tel: +86-755-8981 8866 Fax: +86-755-8427 6832

Email & Skype: info@chipsmall.com Web: www.chipsmall.com

Address: A1208, Overseas Decoration Building, #122 Zhenhua RD., Futian, Shenzhen, China



THIS COPY IS PROVIDED ON A RESTRICTED BASIS AND IS NOT TO BE USED IN ANY WAY DETRIMENTAL TO THE INTERESTS OF PANDUIT CORP.



THE DTKH KIT CONTAINS:

QTY	PART
1	DTHH 25 HEADS
1	DTRH 50' REEL OF STRAPPING

RECLOSABLE BAG OF 25 HEADS

DTHH

50' - 1", +3" (15.24m - 25, +75 mm) OF CONTINUOUS STRAPPING

DTRH

PANDUIT* PART NO.	DESCRIPTION	BUNDLE DIA.		A in. (mm)	B in. (mm)	C in. (mm)	D in. (mm)	F in. (mm)	MINIMUM LOOP TENSILE 2"/MIN. lbs. (N)	APPROX. WEIGHT lbs/(kg) per PACKAGE
		MIN. in. (mm)	MAX. in. (m)							
DTKH	DURA-TY KIT 50' STRAPPING 25 HEADS	.020 (.51)	15' - 9" (4.8)	.331 (8.40)	.064 (1.63)	.393 (9.98)	.557 (14.15)	.824 (20.93)	200 (890)	0.85 (.386)
DTHH	BAG OF 25 HEADS	-----	-----	-----	-----	.393 (9.98)	.557 (14.15)	.824 (20.93)	-----	.15 (.068)
DTRH	50' REEL OF STRAPPING	.020 (.51)	15' - 9" (4.8)	.331 (8.40)	.064 (1.63)	-----	-----	-----	200 (890)	0.70 (.318)

* SEE CURRENT PRICE SHEET FOR PART NUMBER SUFFIX DESIGNATION FOR PACKAGE SIZE

DIMENSIONS IN PARENTHESES ARE IN METRIC UNITS

PANDUIT CORP. TINLEY PARK, ILLINOIS

DURA-TY EXTRUDED CABLE TIES (HEAVY)

UNLESS OTHERWISE SPECIFIED, DIMENSIONAL TOLERANCES ARE:
 (.X) ± (.XXX) ±
 (.XX) ± ANGLES ±

UNLESS OTHERWISE SPECIFIED, ALL DIMENSIONS ARE GIVEN IN INCHES, THIRD ANGLE PROJECTION.

DRAWN BY ERW

MAT'L: STRAP & HEAD - BLACK ACETAL
 EACH HEAD HAS TWO, TYPE 302 STAINLESS STEEL BARBS

SCALE N/A

1	8/16/07	JABO	<i>[Signature]</i>	ADDED DTKH, DURA-TY KIT	SS-27557	1	<i>[Signature]</i>
REV	DATE	BY	CHK	DESCRIPTION	ECN	R	CUST SUP

DATE 5/8/07

CHK'D TGS

DRAWING NO. SS-27557

DWG SIZE A