



Chipsmall Limited consists of a professional team with an average of over 10 year of expertise in the distribution of electronic components. Based in Hongkong, we have already established firm and mutual-benefit business relationships with customers from,Europe,America and south Asia,supplying obsolete and hard-to-find components to meet their specific needs.

With the principle of “Quality Parts,Customers Priority,Honest Operation,and Considerate Service”,our business mainly focus on the distribution of electronic components. Line cards we deal with include Microchip,ALPS,ROHM,Xilinx,Pulse,ON,Everlight and Freescale. Main products comprise IC,Modules,Potentiometer,IC Socket,Relay,Connector.Our parts cover such applications as commercial,industrial, and automotives areas.

We are looking forward to setting up business relationship with you and hope to provide you with the best service and solution. Let us make a better world for our industry!



Contact us

Tel: +86-755-8981 8866 Fax: +86-755-8427 6832

Email & Skype: info@chipsmall.com Web: www.chipsmall.com

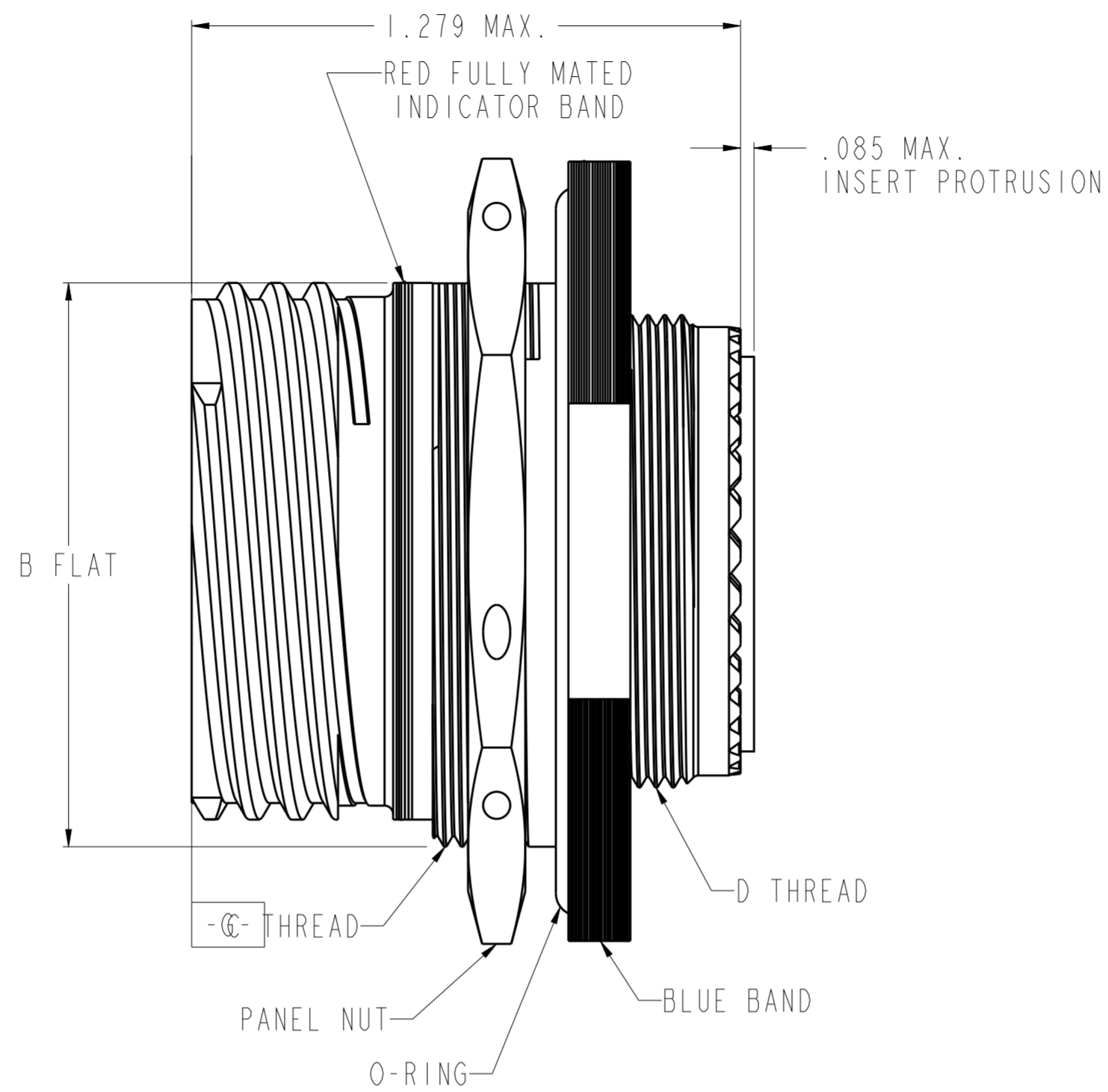
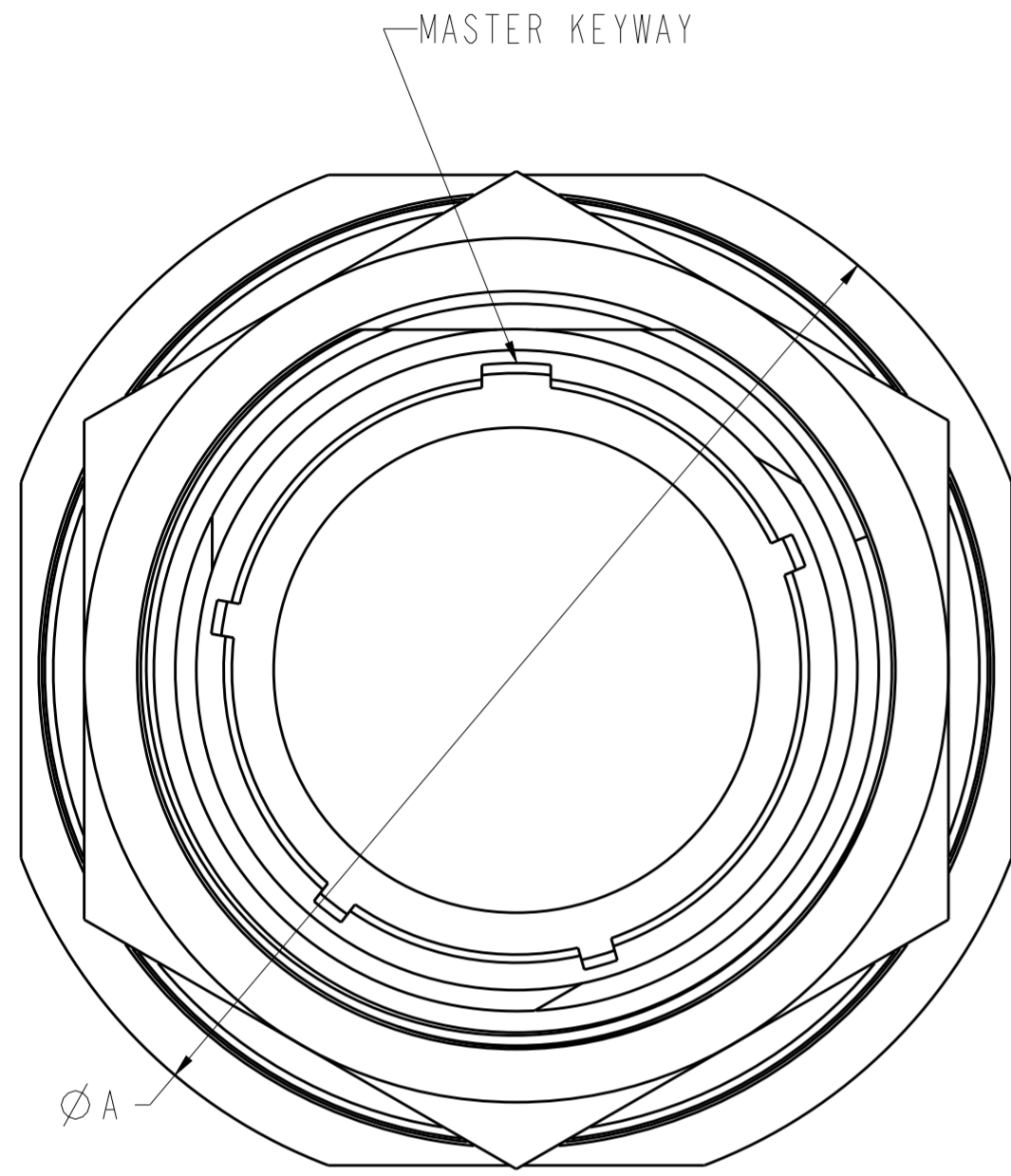
Address: A1208, Overseas Decoration Building, #122 Zhenhua RD., Futian, Shenzhen, China



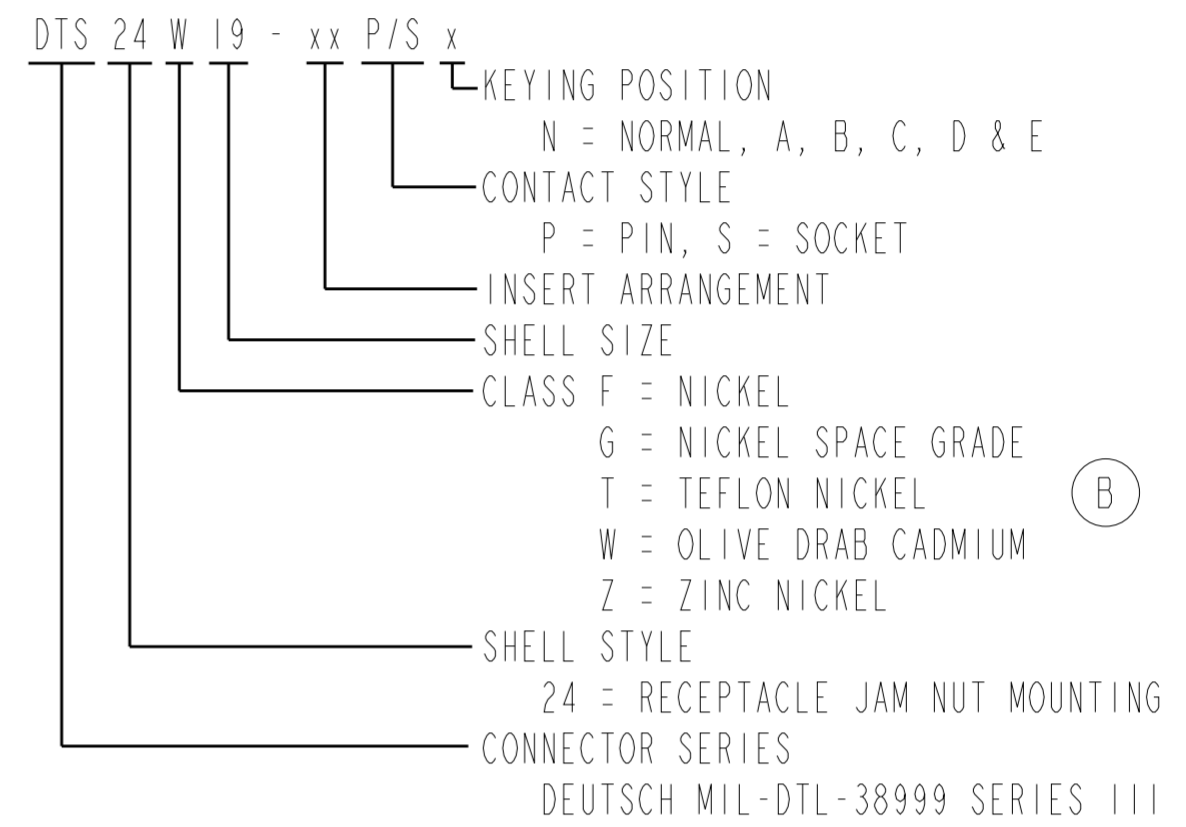
THIS DRAWING IS UNPUBLISHED. RELEASED FOR PUBLICATION 20
 © COPYRIGHT 20 BY - ALL RIGHTS RESERVED.

T.E. PROPRIETARY AND CONFIDENTIAL
 This drawing contains proprietary information that shall not be disclosed, duplicated nor used in whole or in part for any purpose other than to evaluate this drawing.

REVISONS		DATE	DWN	APVD
P	LTR	DESCRIPTION		
A		REVISED PER E.O. C8206	110510	RB
B		UPDATED PER ECO-14-008850	140506	CB EA



EXAMPLE OF PART NUMBER



- FOR AVAILABILITY CONSULT FACTORY.
- MODIFIED MAJOR DIAMETER: 31.95 - 31.80 MM SIZE 17 C THREAD.
- FOR APPLICABLE KEYING DIAGRAM AND PANEL CUTOUT DIMENSIONS, SEE MIL-DTL-38999. FOR AVAILABLE INSERT ARRANGEMENTS, SEE MIL-STD-1560.
- GENERAL SPECIFICATIONS: THIS CONNECTOR MEETS THE PERFORMANCE AND INTERMATEABILITY REQUIREMENTS OF MIL-DTL-38999, SERIES III.
- MATERIAL / FINISH: SHELL AND PANEL NUT - ALUMINUM ALLOY/
 PER PART NUMBER EXAMPLE.
 RESILIENT INSERTS AND O-RING - SILICONE ELASTOMER
 PLASTIC INSERTS - THERMOPLASTIC.
 CONTACTS - COPPER ALLOY / GOLD PLATED.
- ALL DIMENSIONS ARE IN INCHES UNLESS OTHERWISE SPECIFIED.
 THREAD CALLOUTS ARE METRIC.

PART NUMBER	SIZE	ØA ± .011	B FLAT +.004 -.006	C THREAD	D THREAD
DTS24x09-xxP/Sx	09	1.189	.651	M17X1.0-6g 0.100R	M12X1.0-6g 0.100R
DTS24x11-xxP/Sx	11	1.374	.751	M20X1.0-6g 0.100R	M15X1.0-6g 0.100R
DTS24x13-xxP/Sx	13	1.500	.938	M25X1.0-6g 0.100R	M18X1.0-6g 0.100R
DTS24x15-xxP/Sx	15	1.626	1.062	M28X1.0-6g 0.100R	M22X1.0-6g 0.100R
DTS24x17-xxP/Sx	17	1.752	1.187	M32X1.0-6g 0.100R	M25X1.0-6g 0.100R
DTS24x19-xxP/Sx	19	1.937	1.312	M35X1.0-6g 0.100R	M28X1.0-6g 0.100R
DTS24x21-xxP/Sx	21	2.063	1.437	M38X1.0-6g 0.100R	M31X1.0-6g 0.100R
DTS24x23-xxP/Sx	23	2.189	1.562	M41X1.0-6g 0.100R	M34X1.0-6g 0.100R
DTS24x25-xxP/Sx	25	2.311	1.687	M44X1.0-6g 0.100R	M37X1.0-6g 0.100R

THIS DRAWING IS A CONTROLLED DOCUMENT.

DWN: D. WHITACRE 030612
 CHK: R.B. 110510
 APVD: ALEX RENGIEO 110511

STE TE Connectivity

NAME: DTS JAM NUT RECEPTACLE ENVELOPE

PRODUCT SPEC: -
 APPLICATION SPEC: -
 WEIGHT: -

MATERIAL: TBD

SIZE: A2
 CAGE CODE: -
 DRAWING NO: ©-DTS24xxx-xxP/Sx
 RESTRICTED TO: -

SCALE: 3.000 SHEET 1 OF 1 REV B