



Chipsmall Limited consists of a professional team with an average of over 10 year of expertise in the distribution of electronic components. Based in Hongkong, we have already established firm and mutual-benefit business relationships with customers from,Europe,America and south Asia,supplying obsolete and hard-to-find components to meet their specific needs.

With the principle of “Quality Parts,Customers Priority,Honest Operation,and Considerate Service”,our business mainly focus on the distribution of electronic components. Line cards we deal with include Microchip,ALPS,ROHM,Xilinx,Pulse,ON,Everlight and Freescale. Main products comprise IC,Modules,Potentiometer,IC Socket,Relay,Connector.Our parts cover such applications as commercial,industrial, and automotives areas.

We are looking forward to setting up business relationship with you and hope to provide you with the best service and solution. Let us make a better world for our industry!



## Contact us

Tel: +86-755-8981 8866 Fax: +86-755-8427 6832

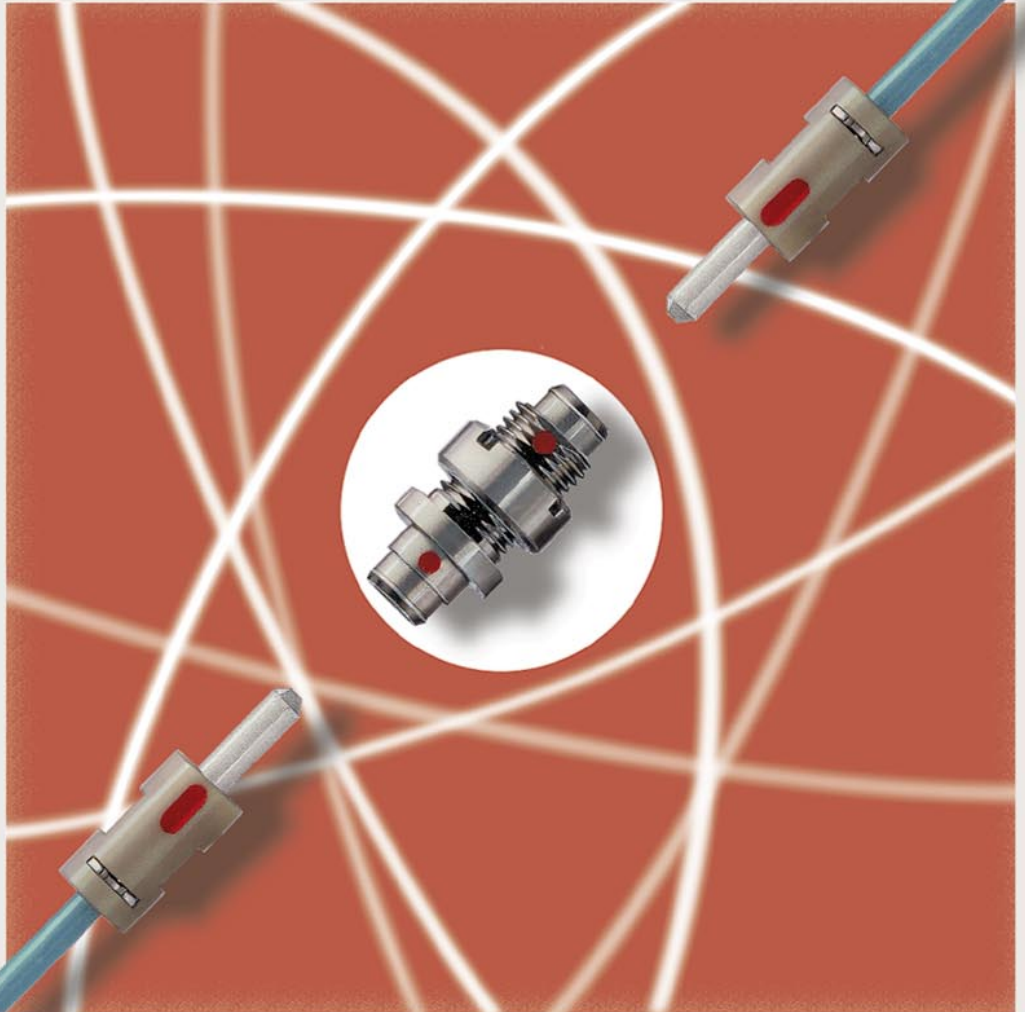
Email & Skype: info@chipsmall.com Web: www.chipsmall.com

Address: A1208, Overseas Decoration Building, #122 Zhenhua RD., Futian, Shenzhen, China





REDEL®



# Fiber Optic Connectors D Series



Scale 1:1



## INTRODUCTION / EINFÜHRUNG

The REDEL D is an extremely small fibre optic connector which is ideal for use in very confined areas. It uses materials which are compatible with radioactive environments. Its low mass makes it an ideal choice for avionics use, in particle physics research, telecommunications and data communications applications.

### Features

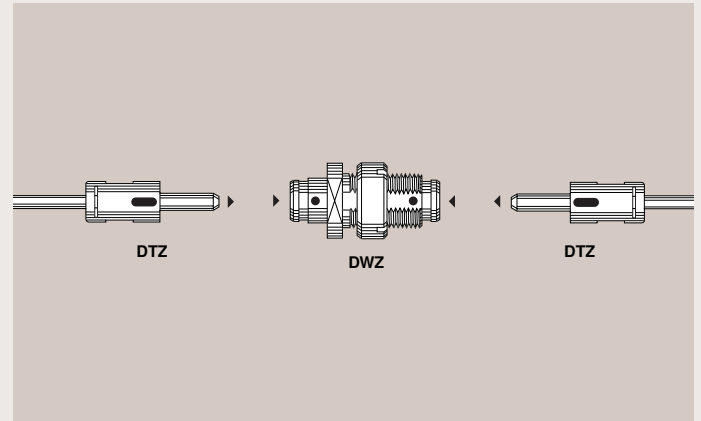
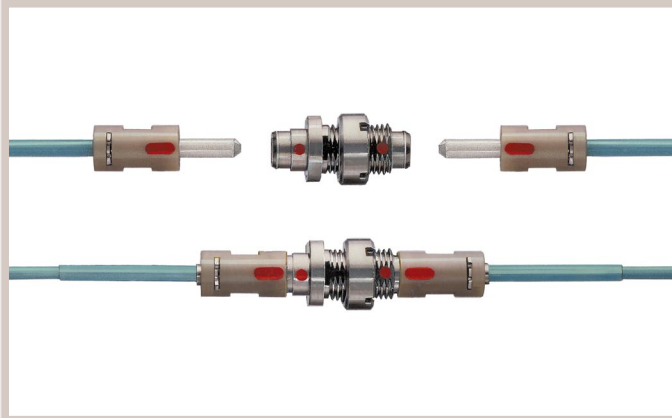
- Sub-miniature size
- Low mass
- Push-Pull snap-on fastening system
- Compatible with TO-18 transmitter/emitter components
- Very low insertion loss for both multimode and singlemode
- Fully floating ferrule
- Simple termination

Die REDEL Steckverbindung D hat extrem kleine Abmessungen und ist somit für spezielle Anwendungsgebiete geeignet. Die ausgewählten Materialien sind strahlenbeständig und haben ein geringes Eigengewicht. Der ideale Einsatzfall liegt auf den Sektor Luft und Raumfahrt, der Kernphysik, in der Telekommunikation und der Datentechnik.

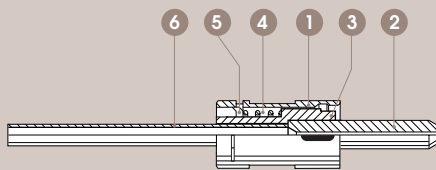
### Merkmale

- Kleinste Abmessungen
- Geringes Gewicht
- Push-Pull Schnapp - Verriegelung
- Kompatibel mit Bauteilen von Sender/Empfänger TO-18
- Sehr geringe Einfügungsdämpfung sowohl für Multimode als auch für Singlemode
- Freischwimmende Ferrule
- Einfache Bedienung

## INTERCONNECTION / STECKBEISPIELE

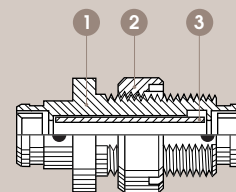


## PART SECTION SHOWING INTERNAL COMPONENT / KONSTRUKTIONSAUFBAU



### Straight plug / Gerade Stecker

- 1 Outer shell / Aussenkörper
- 2 Ferrule / Ferrule
- 3 Ferrule holder / Ferrulehalter
- 4 Spring / Ring
- 5 Spring retainer / Ringverschluss
- 6 Protection tube / Schutzrohr

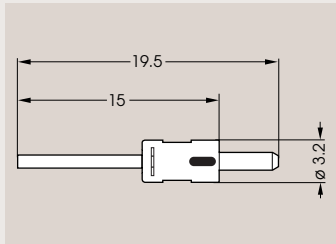
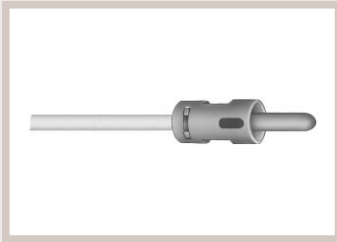


### Straight fixed coupler / Gerade Kupplung

- 1 Outer shell / Aussenkörper
- 2 Round nut / Rundmutter
- 3 Alignment device / Führungszylinder

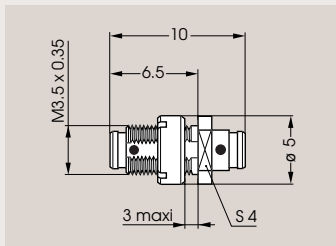
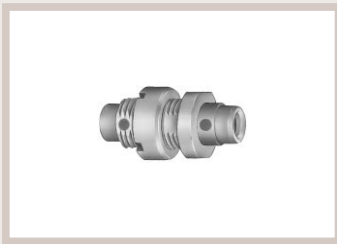
## MODELS / BAUFORMEN

### DTZ Straight plug for 250 µm coated fibre and 900 µm tight buffered fibre Gerader Stecker für 250 µm Anschlag und 900 µm angeschlagene Faser



Part Number Bestell-Nr.	Fibre type Faser-Typ	Ferrule hole ø Ferrule Bohrung ø	Weight (g) Gewicht (g)
DTZ.125.GAET06	9/125 singlemode	125	< 0.2
DTZ.126.GAET06	50/125 multimode	126	
DTZ.127.GAET06	62.5/125 multimode	127	

### DWZ Straight fixed coupler Gerade Kupplung



Part Number Bestell-Nr.	Weight (g) Gewicht (g)
DWZ.F99.SA	< 0.7

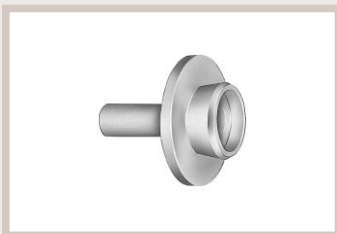
All dimensions are in mm  
Alle Abmessungen in mm

## TYPICAL OPTICAL PERFORMANCE DATA / STANDARD OPTISCHE EIGENSCHAFTEN

Characteristic / Kennwert	Value / Wert	Condition / Bedingung
Insertion loss fibre 9/125 Einfügungsverlust Faser 9/125	Mean/Stand. ≤ 0.25 dB	UPC machine polish
Return loss fibre 9/125 Reflexionsverlust Faser 9/125	Mean/Stand. > 45 dB	UPC machine polish
Mating endurance Belastbarkeit	30 cycles/Zyklen	–
Change of insertion loss Einfügungsverlust Abweichung	≤ 0.1 dB	Temperature cycling/Zyklus -20 to +80°C

## TOOLS / WERKZEUGE

### DCS Microscope adapter Mikroskopadapter



Part Number Bestell-Nr.
DCS.91.G12.5C

### DRV Termination workstation Werkzeugkoffer



Part Number Bestell-Nr.
DRV.91.RD1.2PN

### DCS Polishing tool Polierhalter



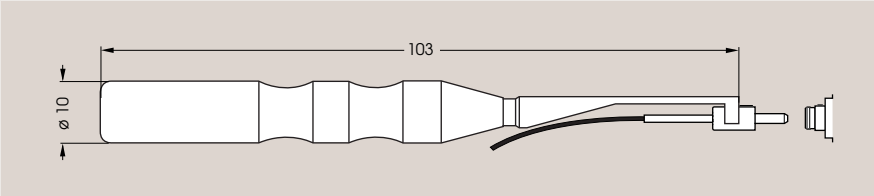
Part Number Bestell-Nr.
DCS.91.D01.LC

## TOOLS / WERKZEUGE

### DCC Insertion-extraction tool Ausflosswerkzeuge



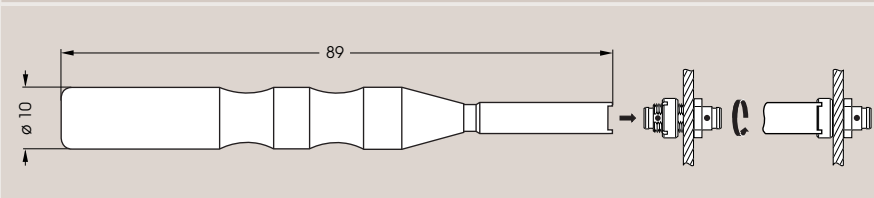
Part Number Bestell-Nr.
DCC.91.517.0L



### DCC Nutdriver Schraubenzieher

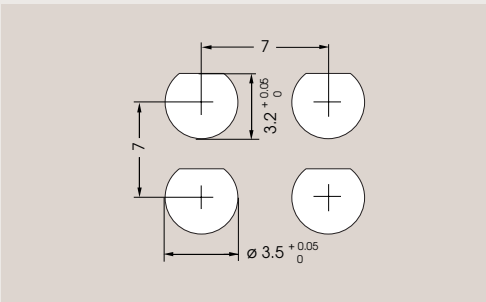


Part Number Bestell-Nr.
DCC.91.518.0L



All dimensions are in mm  
Alle Abmessungen in mm

## COUPLER PANEL CUT-OUT / FRONTPLATTENBOHRUNG FÜR KUPPLUNG



**Note:** Fixing nut tightening torques: 0.5 Nm (1 N = 0.102 kg)  
Anziehdrehmoment: 0.5 Nm (1 N = 0.102 kg)

Distributed by:



Chemin des Champs-Courbes 28  
P.O. Box 194  
CH-1024 Ecublens (SWITZERLAND)  
Telephone: (+41 21) 695 16 00  
Telefax: (+41 21) 695 16 01  
<http://www.lemo.com>

© LEMO SA. Reproduction or use of editorial and/or pictorial content without express permission is strictly prohibited.  
LEMO SA reserves the right to modify and/or improve product specifications at any time without notification.