



Chipsmall Limited consists of a professional team with an average of over 10 year of expertise in the distribution of electronic components. Based in Hongkong, we have already established firm and mutual-benefit business relationships with customers from,Europe,America and south Asia,supplying obsolete and hard-to-find components to meet their specific needs.

With the principle of “Quality Parts,Customers Priority,Honest Operation,and Considerate Service”,our business mainly focus on the distribution of electronic components. Line cards we deal with include Microchip,ALPS,ROHM,Xilinx,Pulse,ON,Everlight and Freescale. Main products comprise IC,Modules,Potentiometer,IC Socket,Relay,Connector.Our parts cover such applications as commercial,industrial, and automotives areas.

We are looking forward to setting up business relationship with you and hope to provide you with the best service and solution. Let us make a better world for our industry!



Contact us

Tel: +86-755-8981 8866 Fax: +86-755-8427 6832

Email & Skype: info@chipsmall.com Web: www.chipsmall.com

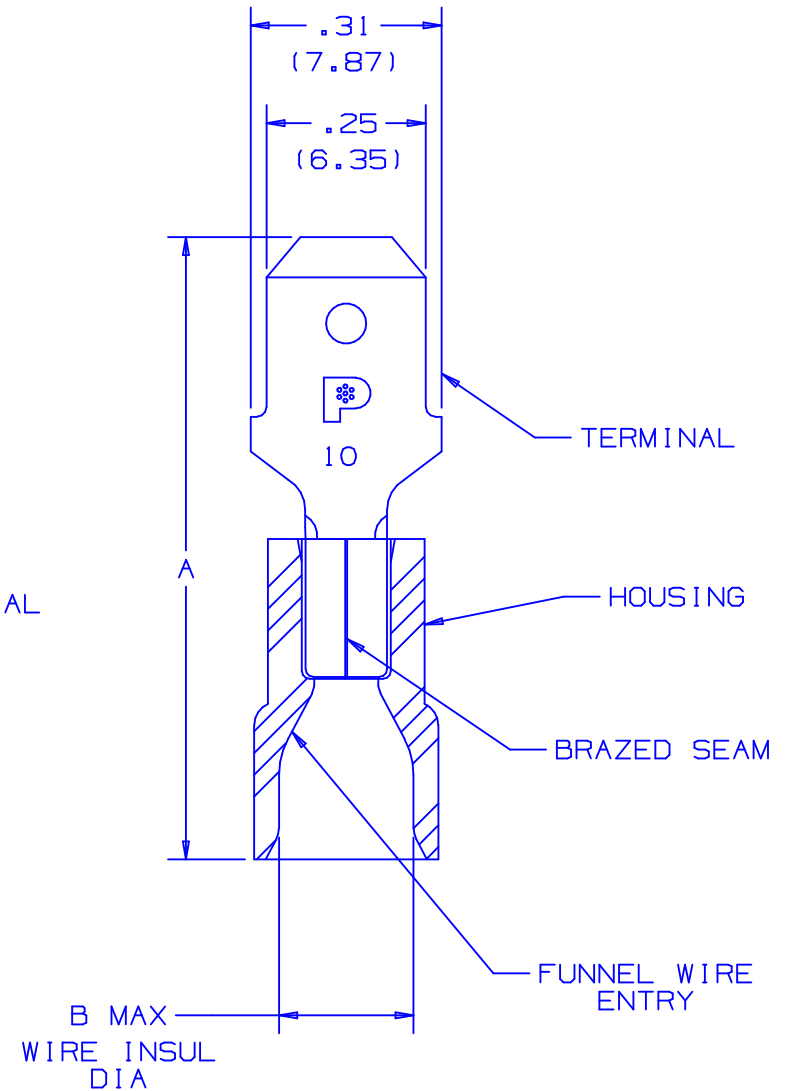
Address: A1208, Overseas Decoration Building, #122 Zhenhua RD., Futian, Shenzhen, China



PANDUIT PART NUMBER	WIRE RANGE	COLOR CODE	DIMENSIONS in.	
			A ^{±.03}	B
DV10-250M	12-10	YELLOW	0.98 (24,9)	.235 (5,97)

NOTES :

- USE FOR:
 - A. STRANDED COPPER WIRE ONLY
 - B. 194°F (90°C) MAX TEMP RATING OF INSULATION MATERIAL
 - C. 600V MAX VOLTAGE RATING
- MATERIAL :
 - A. STAMPING - .032" THK COPPER, NICKEL PLATED
 - B. HOUSING - VINYL
- DIMENSIONS IN BRACKETS ARE IN MILLIMETERS
- INSTALLATION TOOLS : CT-100, CT-260, CT-550
- PKG QTY. -L=50
-D=500
- WIRE STRIP LENGTH: $9/32^{+1/32}_{-0}$ (7,1 ^{+,B} ₋₀)



A41195_05

05	11/04	KLFU		ADDED #10			
04	1/01	KMDSKB		CAD FILE SPEC. WAS N41195AA_PCD_03	8938	JAC	CCH
03	10/98	JD		MATERIAL WAS TIN PLATED	07642		
02	6/95	MS	LM	UPDATED NOTES AND DIMENSIONS	03404	LA	DH
REV	DATE	BY	CHK	DESCRIPTION	ECN#	CUST	END

PANDUIT CORP.

TINLEY PARK, ILLINOIS

2PC. VINYL INSULATED,
12-10, 250 X .032 MALE TAB

DRAWN BY FES	CHK'D	SCALE NONE	DRAWING NO. A41195
-----------------	-------	---------------	-----------------------