



Chipsmall Limited consists of a professional team with an average of over 10 year of expertise in the distribution of electronic components. Based in Hongkong, we have already established firm and mutual-benefit business relationships with customers from,Europe,America and south Asia,supplying obsolete and hard-to-find components to meet their specific needs.

With the principle of “Quality Parts,Customers Priority,Honest Operation,and Considerate Service”,our business mainly focus on the distribution of electronic components. Line cards we deal with include Microchip,ALPS,ROHM,Xilinx,Pulse,ON,Everlight and Freescale. Main products comprise IC,Modules,Potentiometer,IC Socket,Relay,Connector.Our parts cover such applications as commercial,industrial, and automotives areas.

We are looking forward to setting up business relationship with you and hope to provide you with the best service and solution. Let us make a better world for our industry!



Contact us

Tel: +86-755-8981 8866 Fax: +86-755-8427 6832

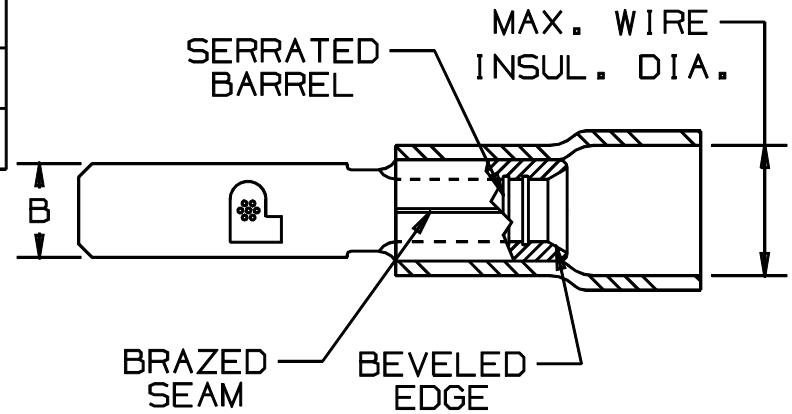
Email & Skype: info@chipsmall.com Web: www.chipsmall.com

Address: A1208, Overseas Decoration Building, #122 Zhenhua RD., Futian, Shenzhen, China



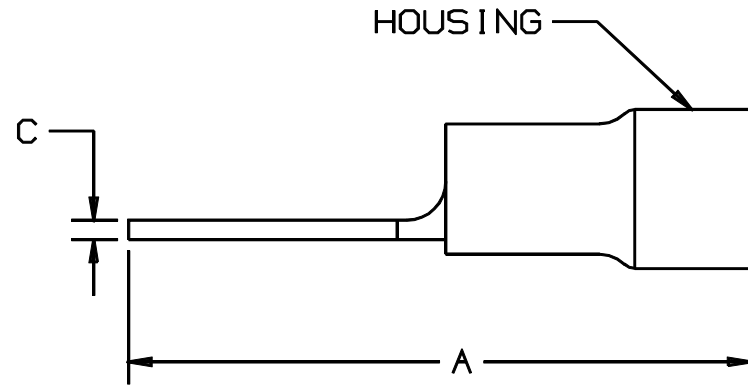
THIS COPY IS PROVIDED ON A RESTRICTED BASIS AND IS NOT TO BE USED IN ANY WAY DETRIMENTAL TO THE INTERESTS OF PANDUIT CORP.

PART NUMBER	WIRE RANGE AWG	MAX. WIRE INSUL. DIA.	HOUSING COLOR	DIMENSIONS in.		
				A $\pm .03$	B $\pm .010$	C $\pm .01$
DV18-145M	22-18	.15 (3.8)	RED	.97 (24.6)	.145 (3.7)	.03 (0.76)
DV14-145M	16-14	.17 (4.3)	BLUE	.97 (24.6)	.145 (3.7)	.03 (0.76)



NOTES:

- UL RECOGNIZED AND CSA CERTIFIED FOR:
 - 600V. MAX. VOLTAGE RATING
 - 221° F (105° C) MAX. TEMP. RATING
 - FOR STRANDED COPPER WIRE ONLY
- MATERIAL:
 - STAMPING - .032" (0.81) THK COPPER TIN PLATED
 - HOUSING - VINYL
- PACKAGE QTY: STD. PKG. -C=100
BULK PKG. -M=1000
- DIMENSIONS IN BRACKETS ARE IN MILLIMETERS
- INSTALLATION TOOLS:
 - UL RECOGNIZED AND CSA CERTIFIED: CT-500, CT-550, CT-1551, CT-1550
 - PANDUIT APPROVED: CT-160, CT-260, CT-100, CT-250, CT-400, *CT-460
*RECOMMENDED FOR DV14-145M ONLY
- WIRE STRIP LENGTH: $9/32 \pm .003$ (7.1 $\pm .08$)



CERTIFIED
LR31212



RECOGNIZED
E78522

A41321_06

06	1/01	RM		FILESPEC WAS N41321AA_PCD_05				<p>TINLEY PARK, ILLINOIS</p> <p>VINYL INSULATED .145 X .032 (3.68 X 0.81) MALE TAB</p>			
05		JKD		ADDED CT-1551 & CT-1550 TOOLS	07632						
04	10/94	TH	RLS	UPDATED NOTES AND DIMENSIONS	02571	LCA	TFKE				
03	4/94	DL		REMOVED COIN FROM TAB END							
REV	DATE	BY	CHK	DESCRIPTION	ECN #	CUST	PM	DRAWN BY DAW	CHK'D 	SCALE NONE	DRAWING NO. A41321