



Chipsmall Limited consists of a professional team with an average of over 10 year of expertise in the distribution of electronic components. Based in Hongkong, we have already established firm and mutual-benefit business relationships with customers from,Europe,America and south Asia,supplying obsolete and hard-to-find components to meet their specific needs.

With the principle of “Quality Parts,Customers Priority,Honest Operation,and Considerate Service”,our business mainly focus on the distribution of electronic components. Line cards we deal with include Microchip,ALPS,ROHM,Xilinx,Pulse,ON,Everlight and Freescale. Main products comprise IC,Modules,Potentiometer,IC Socket,Relay,Connector.Our parts cover such applications as commercial,industrial, and automotives areas.

We are looking forward to setting up business relationship with you and hope to provide you with the best service and solution. Let us make a better world for our industry!



Contact us

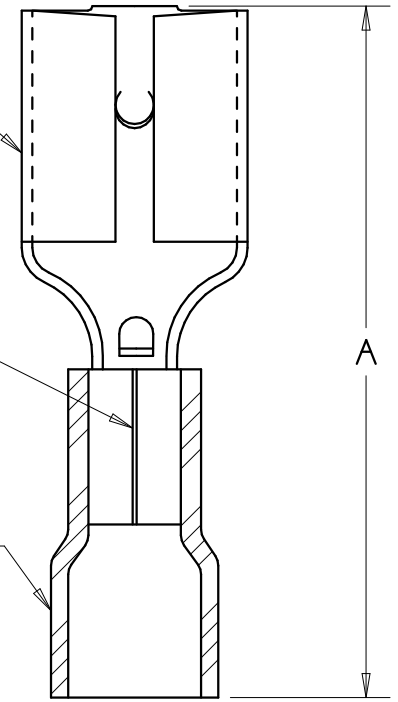
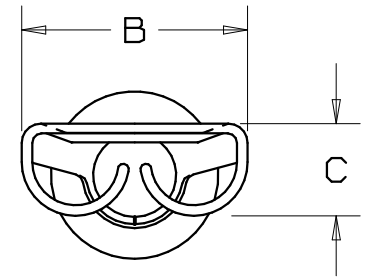
Tel: +86-755-8981 8866 Fax: +86-755-8427 6832

Email & Skype: info@chipsmall.com Web: www.chipsmall.com

Address: A1208, Overseas Decoration Building, #122 Zhenhua RD., Futian, Shenzhen, China



| PART NUMBER | | WIRE RANGE AWG | TAB SIZE | HOUSING COLOR | MAX. WIRE INSUL. DIA. | DIMENSIONS in. | | |
|-------------|-----------------|-------------------|----------------------------------|---------------|-----------------------|----------------|--------------|--------------|
| PREFIX | PK | | | | | A $\pm .03$ | B $\pm .01$ | C $\pm .01$ |
| DV18-205B | -C -M -MY | 22-18 | OR .205 X .032 OR .187 X .032 | RED | .150 (3,8) | .75 (18,9) | .25 (6,4) | .12 (3,0) |
| *DV14-205B | -C -M | 16-14 | OR .205 X .032 OR .187 X .032 | BLUE | .170 (4,3) | .75 (18,9) | .25 (6,4) | .12 (3,0) |
| DV18-206B | -C -M -MY | 22-18 | OR .205 X .020 OR .187 X .020 | RED | .150 (3,8) | .75 (18,9) | .25 (6,4) | .12 (3,0) |
| *DV14-206B | -C -M | 16-14 | OR .205 X .020 OR .187 X .020 | BLUE | .170 (4,3) | .75 (18,9) | .25 (6,4) | .12 (3,0) |



MAX. WIRE INSUL. DIA.

NOTES:

- USED FOR:
 - STRANDED COPPER WIRE ONLY
 - TEMPERATURE RATING OF INSULATION: 105°C (221°F)
 - 600V. MAX. VOLTAGE RATING
- PACKAGE QTY: STD. PKG. -C=100
BULK PKG. -M=1000, -MY=1000
- MATERIAL:
 - STAMPING - .016" (0,41) THK BRASS, TIN PLATED
 - HOUSING - VINYL
- WIRE STRIP LENGTH: 1/4 ^{+1/32}₋₀ (6,3 ⁺⁸₋₀)
- INITIAL INSERTION FORCE - 12 LB. (53 N.) MAX
INITIAL WITHDRAWAL FORCE - 12 LB. (53 N.) MAX
6 LB. (27 N.) MIN
- INSTALLATION TOOLS: CT-520, CT-1525
 - UL LISTED AND CSA CERTIFIED
 - UL RECOGNIZED
- DIMENSIONS IN BRACKETS ARE IN MILLIMETERS



| | | | | | | | |
|-----|-------|------|-----|---|---------|-----|------------|
| 05 | 6/06 | DAW | DAW | REMOVED MAX. AMPERAGE NOTE | TR00134 | | |
| 04 | 5/05 | JHNU | LCA | ADDED PACKAGING CODE "MY" TO DRAWING. | 12743 | TRO | LCA |
| 03 | 10/03 | KLFU | SKB | UPDATED DRAWING | 11202 | TRO | LA/ SKB |
| 02 | 5/01 | KMD | SKB | DIM. "B" WAS .23 (5,8) | 09357 | BAD | JAC |
| 01 | 2/01 | EJS | SKB | UPDATED NOTE 1-B, ADDED CT-1525 TO NOTE 6 | 09108 | TRO | JAC |
| REV | DATE | BY | CHK | DESCRIPTION | ECN # | PM | CUST |

A41576_05

PANDUIT CORP. TINLEY PARK, ILLINOIS

FEMALE DISCONNECT, VINYL INSULATED
(.187/.205 TAB SIZE)

| | | | |
|----------|-------|-------|-------------|
| DRAWN BY | CHK'D | SCALE | DRAWING NO. |
| MS | | NONE | A41576 |