



Chipsmall Limited consists of a professional team with an average of over 10 year of expertise in the distribution of electronic components. Based in Hongkong, we have already established firm and mutual-benefit business relationships with customers from,Europe,America and south Asia,supplying obsolete and hard-to-find components to meet their specific needs.

With the principle of “Quality Parts,Customers Priority,Honest Operation,and Considerate Service”,our business mainly focus on the distribution of electronic components. Line cards we deal with include Microchip,ALPS,ROHM,Xilinx,Pulse,ON,Everlight and Freescale. Main products comprise IC,Modules,Potentiometer,IC Socket,Relay,Connector.Our parts cover such applications as commercial,industrial, and automotives areas.

We are looking forward to setting up business relationship with you and hope to provide you with the best service and solution. Let us make a better world for our industry!



Contact us

Tel: +86-755-8981 8866 Fax: +86-755-8427 6832

Email & Skype: info@chipsmall.com Web: www.chipsmall.com

Address: A1208, Overseas Decoration Building, #122 Zhenhua RD., Futian, Shenzhen, China

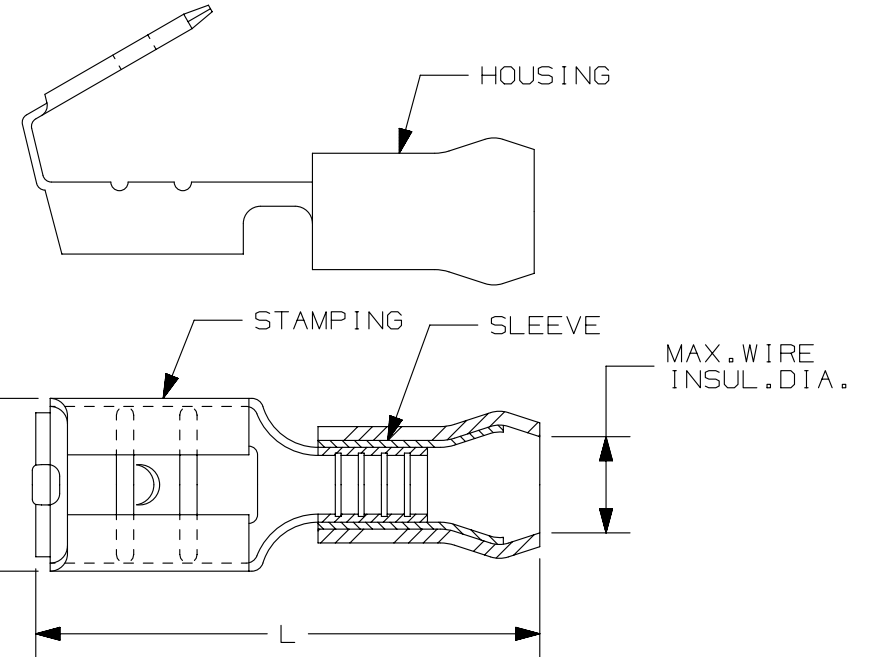


THIS COPY IS PROVIDED ON A RESTRICTED BASIS AND IS NOT TO BE USED IN ANY WAY DETRIMENTAL TO THE INTERESTS OF PANDUIT CORP.

PANDUIT PART #	TAB SIZE in. [mm]	WIRE RANGE		COLOR	MAX. INSUL. in. [mm]	DIMENSIONS in. [mm]	
		AWG	[mm ²]			L ± [0,8]	W ± [0,3]
DV18-250P	.250 X .032 [6,4 X 0,8]	#22-18	[0,5-1,0]	RED	.13 [3,3]	.88 [22,4]	.29 [7,4]
DV14-250P		#16-14	[1,5-2,5]	BLUE	.16 [4,1]	.88 [22,4]	.29 [7,4]

NOTES:

- USED FOR:
 - A. STRANDED COPPER WIRE ONLY
 - B. 194°F [90°C] MAX. OPERATING TEMPERATURE
 - C. 300 V. MAX VOLTAGE RATING
- INSTALLATION TOOLS: CT-100A, CT-160, CT-260, CT-400, CT-1550, CT-1551, CT-2500 (CT-2550CH), CT-600A (CT-550CH)
- WIRE STRIP LENGTH: 1/4" ^{+1/32} [6,3^{+0,8}]
- MATERIAL:
 - A. STAMPING: BRASS, TIN PLATED
 - B. HOUSING: VINYL
 - C. SLEEVE: BRASS, TIN PLATED
- SEE www.panduit.com FOR PACKAGE QUANTITIES INDICATED BY PART NUMBER SUFFIX
- DIMENSIONS IN BRACKETS ARE METRIC EQUIVALENT



REV	DATE	BY	CHK	APR	DESCRIPTION	ECN
09	10.03.12	JBN	LCA	VMB	ADDED METRIC EQUIVALENT. REVISED NOTES. UPDATED TO CURRENT STANDARDS.	A41208

TITLE PIGGYBACK DISCONNECT, VINYL INSULATED #22-18 & #16-14 CUSTOMER DRAWING			
ITEM REVISION NAME N41208BB/09		PANDUIT	
DATASET FILE NAME N41208BB_DC/09A			
UNLESS OTHERWISE SPECIFIED, DIMENSIONAL TOLERANCES ARE: IN [mm] .x ± .1 [2.54] .xxx ± .005 [.127] .xx ± .01 [.25] ANGLES ± 5°		MATERIAL: SEE NOTES	
DRAWN BY DAW		DATE -	CHK -
SCALE N.T.S.		DRAWING NUMBER: A41208	
SHT 1 OF 1		SIZE A	

D10100DA/15