



Chipsmall Limited consists of a professional team with an average of over 10 year of expertise in the distribution of electronic components. Based in Hongkong, we have already established firm and mutual-benefit business relationships with customers from,Europe,America and south Asia,supplying obsolete and hard-to-find components to meet their specific needs.

With the principle of “Quality Parts,Customers Priority,Honest Operation,and Considerate Service”,our business mainly focus on the distribution of electronic components. Line cards we deal with include Microchip,ALPS,ROHM,Xilinx,Pulse,ON,Everlight and Freescale. Main products comprise IC,Modules,Potentiometer,IC Socket,Relay,Connector.Our parts cover such applications as commercial,industrial, and automotives areas.

We are looking forward to setting up business relationship with you and hope to provide you with the best service and solution. Let us make a better world for our industry!



Contact us

Tel: +86-755-8981 8866 Fax: +86-755-8427 6832

Email & Skype: info@chipsmall.com Web: www.chipsmall.com

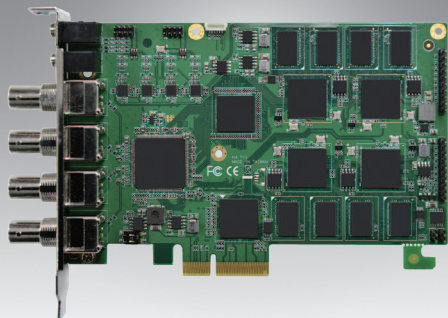
Address: A1208, Overseas Decoration Building, #122 Zhenhua RD., Futian, Shenzhen, China



DVP-7635HE

4-ch Full HD H.264/MPEG4 AHD/CVI/TVI PCIe Video Capture Card with SDK

NEW



Features

- 4-channel AHD/CVI/TVI/Composite (CVBS) hardware compression
- 30/25 fps (NTSC/PAL) at up to 1920 x 1080p resolution for recording and display for each channel
- PCIe x4 host interface
- Supports Watchdog function
- Windows/Linux OS supported

FCC CE RoHS

Introduction

DVP-7635HE is a PCIe-bus, hardware compression video capture card with 4ch AHD/CVI/TVI/Composite (CVBS) video and 4 audio inputs. DVP-7635HE supports H.264/MPEG4 compression format at up to Full HD 1080p for each channel. With an easy-to-use software development kit (SDK) and the flexibility to stack multiple cards, DVP-7635HE is an ideal solution for various video capture applications.

Specifications

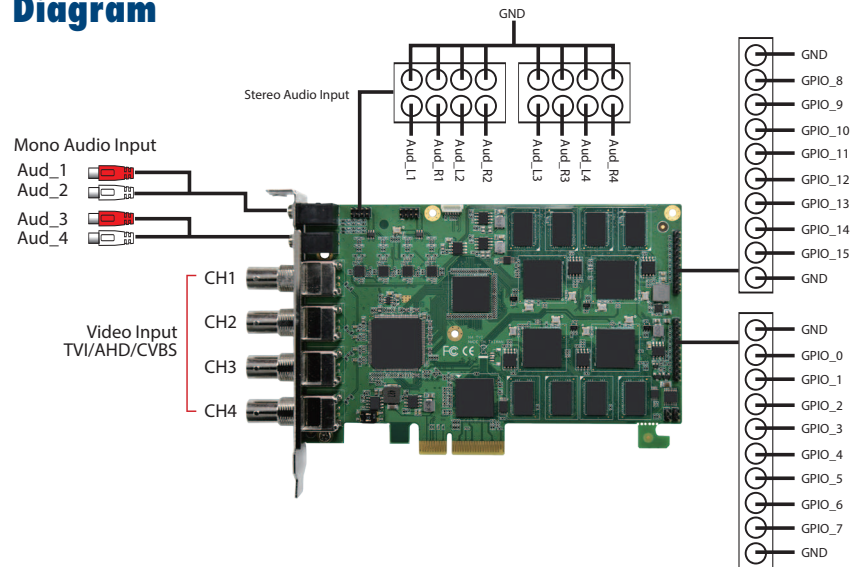
Video	Video Standard	AHD/CVI/TVI
	Video Input	4 x AHD/CVI/TVI/Composite (CVBS)
	Compression	H/W H.264
	Max. Resolution / FPS	1920 x 1080 @ 30/25 FPS (Input) 1920 x 1080 @ 30/25 FPS (Output)
	Raw Data Format	YV12/NV12/YUY2/RGB24/RGB32
Audio	Audio Input	2 x 3.5mm Audio
	Format	Stereo/16 bits/32000-48000 Hz
System Requirements	CPU (Display)	Intel® Core™ i3-4330
	CPU (Recording)*	Intel® Core™ i3-4330
	Memory	4GB
	VGA	1024 x 768, DirectX 9.0c
	Operating System	Windows XP/XPe/Vista/7/8/8.1/10; Linux 2.6.14 or higher; 32/64 bits
Physical Characteristics	Host Interface	PCIe x4
	Operating Temperature	-20 ~ 70 °C (-4 ~ 158 °F)
	Storage Temperature	-40 ~ 85 °C (-40 ~ 185 °F)
	Dimension (L x H)	150 x 101 mm (5.9" x 3.9")
	Safety	CE/FCC

Versatile SDK Support (For Windows Only)

Advantech provides software development kit (SDK), a set of development tools that allows a software engineer to integrate video capture modules into different types of system. Functions include video recording, playback and instant preview.

- Software Library
- SDK Manual
- Sample Program

Connection Diagram



Ordering Information

Part Number	Description
DVP-7635HE	4-ch Full HD H.264/MPEG4 AHD/CVI/TVI/Composite (CVBS) PCIe Video Capture Card with SDK

Packing List

Item	Amount
DVP-7635HE Capture Card	1 (piece)
Audio Cable	2 (piece)