



Chipsmall Limited consists of a professional team with an average of over 10 year of expertise in the distribution of electronic components. Based in Hongkong, we have already established firm and mutual-benefit business relationships with customers from,Europe,America and south Asia,supplying obsolete and hard-to-find components to meet their specific needs.

With the principle of "Quality Parts,Customers Priority,Honest Operation,and Considerate Service",our business mainly focus on the distribution of electronic components. Line cards we deal with include Microchip,ALPS,ROHM,Xilinx,Pulse,ON,Everlight and Freescale. Main products comprise IC,Modules,Potentiometer,IC Socket,Relay,Connector.Our parts cover such applications as commercial,industrial, and automotives areas.

We are looking forward to setting up business relationship with you and hope to provide you with the best service and solution. Let us make a better world for our industry!



Contact us

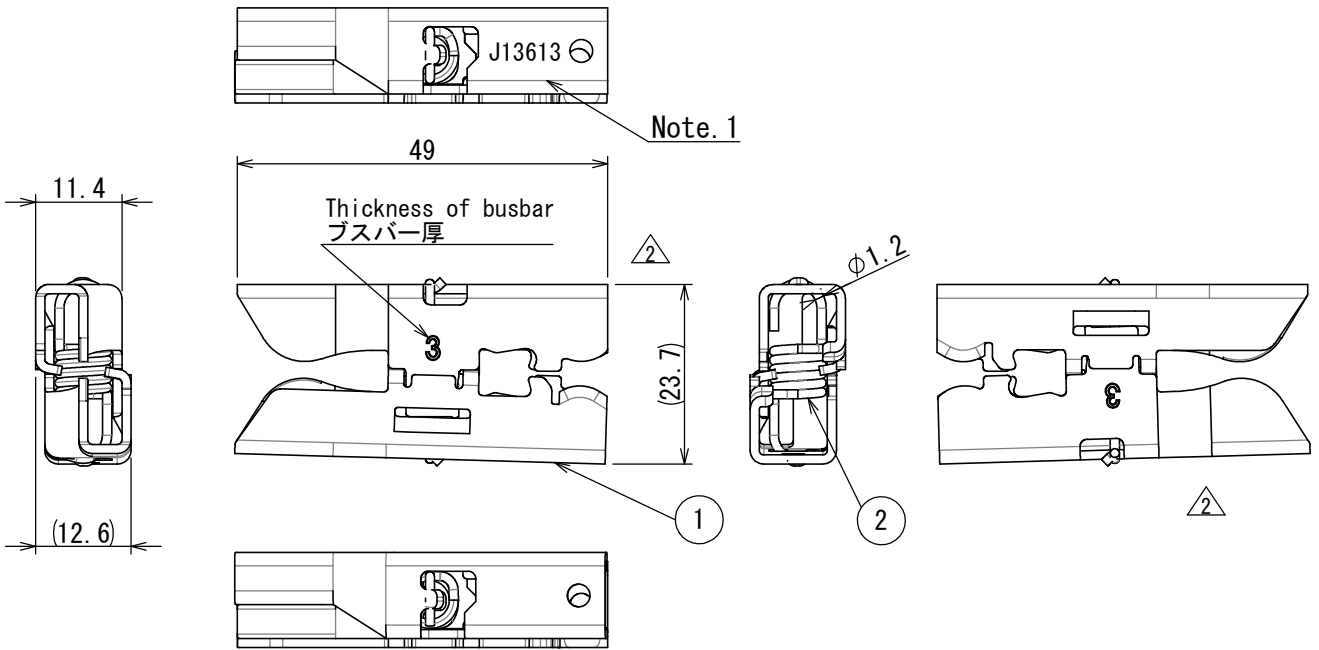
Tel: +86-755-8981 8866 Fax: +86-755-8427 6832

Email & Skype: info@chipsmall.com Web: www.chipsmall.com

Address: A1208, Overseas Decoration Building, #122 Zhenhua RD., Futian, Shenzhen, China



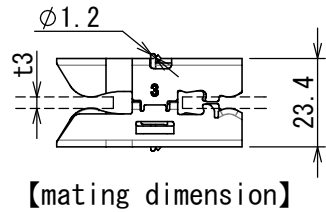
版数 VER.	年月日 DATE	CN NO.	変更内容 DESCRIPTION	製図 DR.	担当 CHK.	査閲 APPD.	承認 APPD.
2	20/AUG/2013	007181	REVISED FORM		T. EBISAWA	-	T. KUDOU
3	07/MAR/2014	009209	ADD A NOTE		T. EBISAWA	-	T. KUDOU



命名法 (DESIGNATION)

DW07 S 01 B AG ※

モディファイNo. (Number of modify)
めっき仕様: 銀 (silver plating)
接続先: ブスバー (connection : busbar)
芯数 (No. of contacts)
S : ソケット (socket)
シリーズ名 (series)

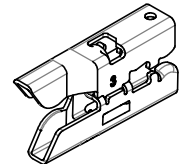


【mating dimension】

注1. 図示の箇所にロットNo. を表示. (表示方向は任意) △3
Note.1 Production lot number is marked as indicated.
The displayed direction is arbitrary △3

J 13 6 13

生産日 (DAY)
月 (10月:0, 11月:X, 12月:Y) (MONTH OCT:0, NOV:X, DEC:Y)
年 (西暦下2桁) Yaer - Lower 2 digits of A.D.
製造コード (PRODUCT CODE)



【reference view】

注2. 取扱説明書は下記資料を参照してください。
Note.2 The instruction manual is the following document.
・ JAHL-30309 : DW07 SERIES (handling guide)
・ JAHL-30309-1 : DW07 SERIES -Ag plating (technical guide)

特別管理品目
SPECIAL CONTROL ITEM
Li電池

2	HELICAL EXTENSION SPRING	1	STAINLESS STEEL	-	-
1	CONTACT	2	COPPER ALLOY	SILVER PLATING	-
符号 NO.	名称 DESCRIPTION	個数 QTY.	材料 MATERIAL	仕上 FINISH	備考 REMARKS

仕様書 (SPECIFICATION) JACS-30309 (Note. 2)		第1版 (ORIGINAL DATE) 13/JUN/2013		名称 (TITLE) DW07S01BAG1 (Busbar: t3.0 mm)		日本航空電子工業株式会社	
一般公差 (GENERAL TOLERANCE)		製図 DR.		T. EBISAWA		JAE	
寸法 (DIMENSION)		担当 CHK.		-		JAPAN AVIATION ELECTRONICS INDUSTRY, LTD.	
角度 (ANGLES)		査閲 APPD.		T. KUDOU		図面番号 (DRAWING NO.)	
単位 (UNIT) : mm		承認 APPD.		シリーズ (SERIES) DW07		SJ114199	
		尺度 (SCALE) 1 : 1				版数 (VER.) 3	

DCF-C-211H(12.08)

S/W

WISDOM承認 2014/03/07