



Chipsmall Limited consists of a professional team with an average of over 10 year of expertise in the distribution of electronic components. Based in Hongkong, we have already established firm and mutual-benefit business relationships with customers from,Europe,America and south Asia,supplying obsolete and hard-to-find components to meet their specific needs.

With the principle of “Quality Parts,Customers Priority,Honest Operation,and Considerate Service”,our business mainly focus on the distribution of electronic components. Line cards we deal with include Microchip,ALPS,ROHM,Xilinx,Pulse,ON,Everlight and Freescale. Main products comprise IC,Modules,Potentiometer,IC Socket,Relay,Connector.Our parts cover such applications as commercial,industrial, and automotives areas.

We are looking forward to setting up business relationship with you and hope to provide you with the best service and solution. Let us make a better world for our industry!



## Contact us

Tel: +86-755-8981 8866 Fax: +86-755-8427 6832

Email & Skype: info@chipsmall.com Web: www.chipsmall.com

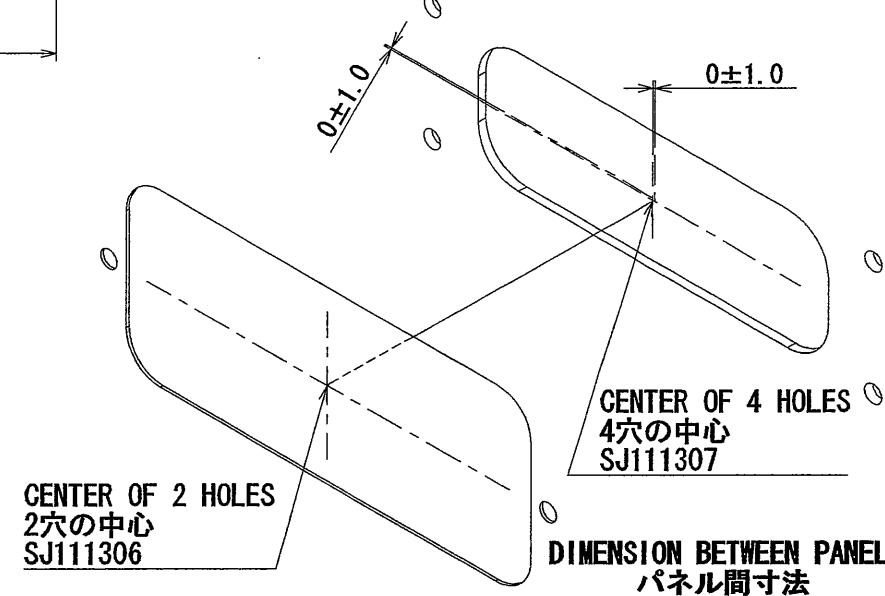
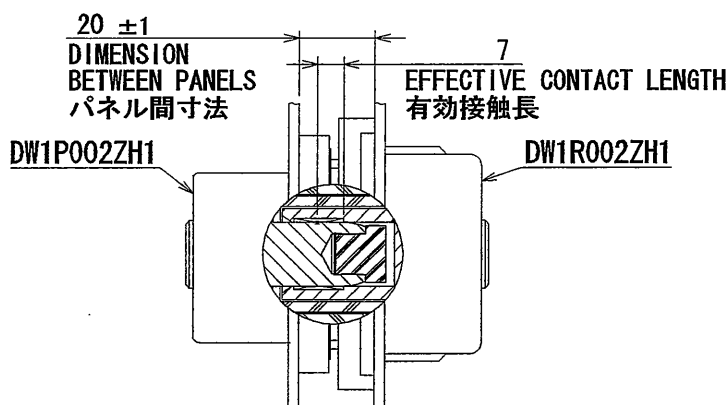
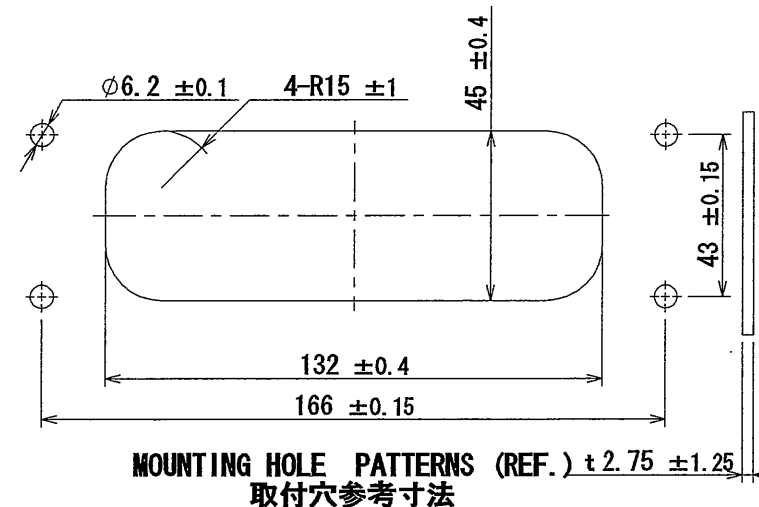
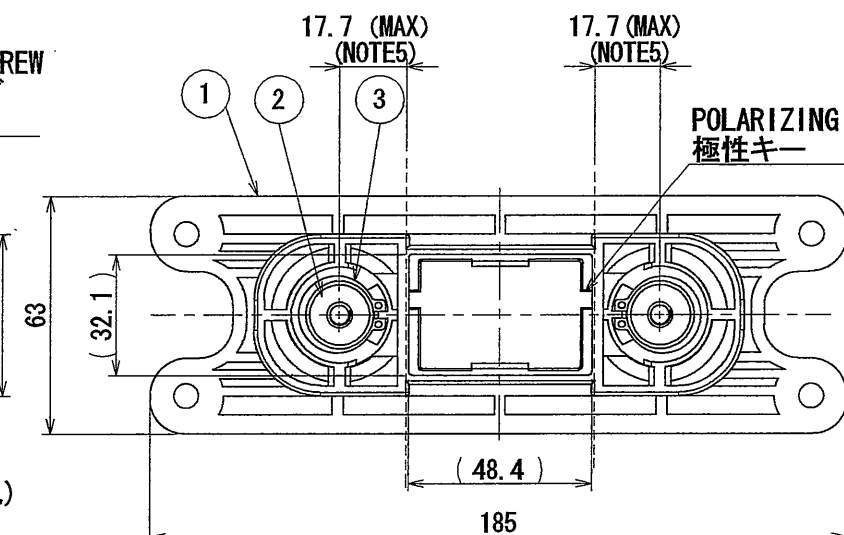
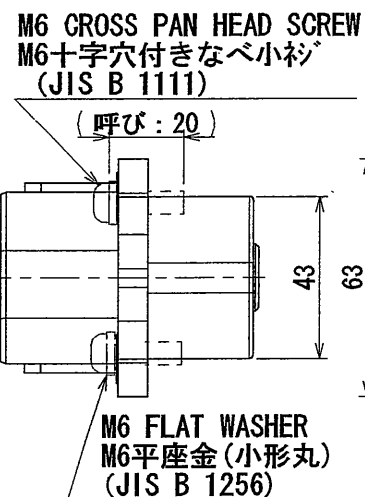
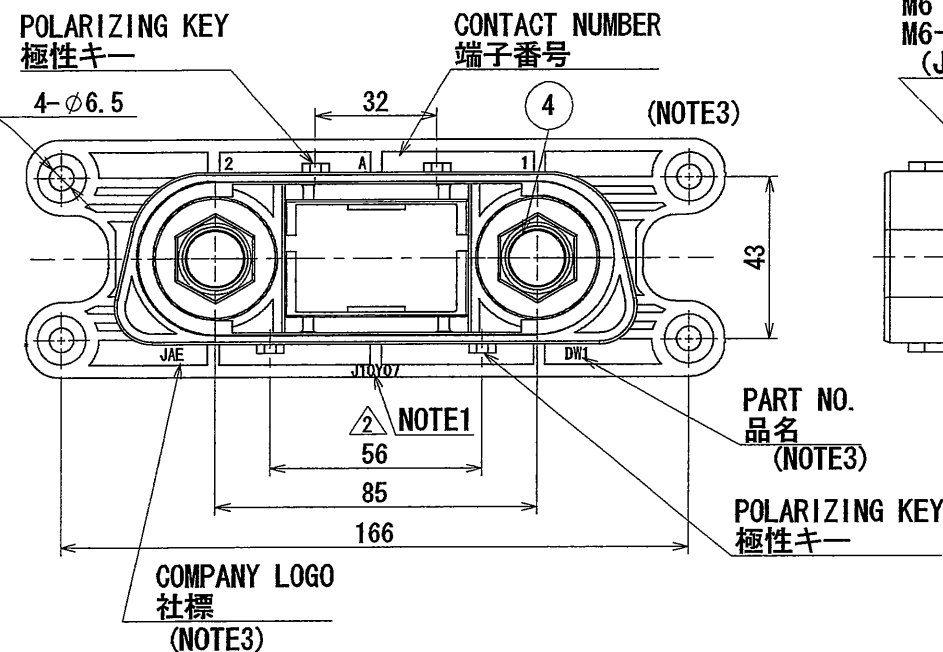
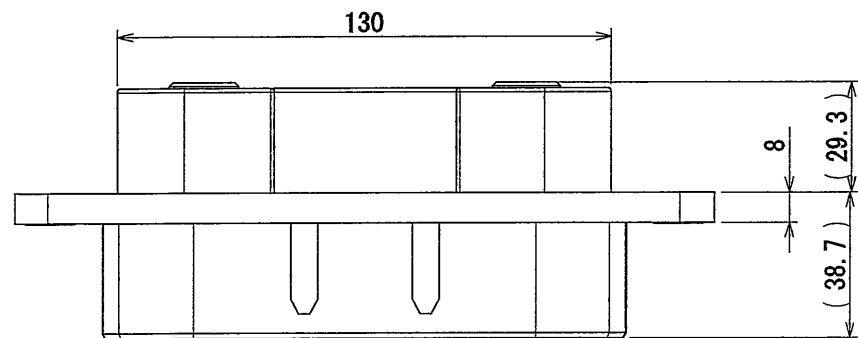
Address: A1208, Overseas Decoration Building, #122 Zhenhua RD., Futian, Shenzhen, China



LOE1113

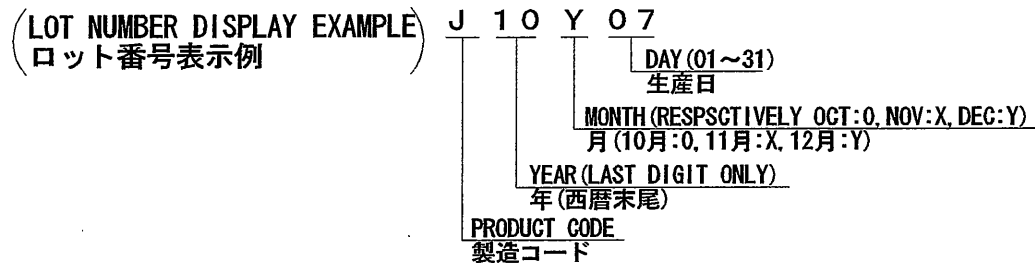
(ON DRAWING) 台架図

版数 REV.	年月日 DATE	DCN NO.	変更内容 DESCRIPTION	製図 DR.	担当 CHK.	査閲 APPD.	承認 APPD.
2	03/FEB/2011	071558	REVISED LOT # MARKED POSITION	—	K. KIMURA	<i>Y. Itoh</i>	<i>Y. Mizusawa</i>



**特別管理品目**  
SPECIAL CONTROL ITEM  
**Li電池**

NOTE 1. PRODUCTION LOT NUMBER AS INDICATED.



NOTE 2. THE SCREW-TIGHTENING TORQUE SHALL BE 5.2 N · m.  
NOTE 3. THE COMPANY NAME, THE PART NUMBER AND TERMINAL NUMBER SHALL BE MARKED AS SHOWN IN THE DRAWING.  
NOTE 4. THIS CONNECTOR IS NOT WATER-PROOF, NOT DUST-PROOF.  
NOTE 5. RANGE OF CONDUCTOR (BUS BAR ETC.)

注 1. 図示の箇所にロット番号を表示する。  
注 2. 取り付けねじの締付けトルクは5.2N・mとする。  
注 3. 図示の位置に社標及び品名、端子番号を表示する。  
注 4. 本品は防水・防塵コネクタではありません。  
注 5. 取り付ける導体（ブスバー等）の範囲

符号 NO.	名称 DESCRIPTION	個数 QTY.	材料 MATERIAL	仕上 FINISH	備考 REMARKS
4	COVER CAP	2	PPS	COLOR: BLACK	UL94-V-0
3	C SNAP RING	2	STAINLESS STEEL	—	—
3	PIN CONTACT	2	COPPER ALLOY	SILVER PLATING	—
1	PLUG HOUSING	1	PPS	COLOR: BROWN	UL94-V-0

仕様書 (SPECIFICATION) JACS-30177 J AHL-30177	第1版 (ORIGINAL DATE) 04/JAN/2011	尺度 (SCALE) 1:2	シリーズ (SERIES) DW1	日本航空電子工業株式会社 JAE JAPAN AVIATION ELECTRONICS INDUSTRY, LTD.	SIZE A3
一般公差 (GENERAL TOLERANCE) 寸法 (DIMENSION) 角度 (ANGLES)	製図 DR. K. KIMURA	名称 (TITLE) DW1P002ZH1		図面番号 (DRAWING NO.) SJ111307	
±0.8 × ±0.4 ×× ±0.1 ××× ±	×° ± ×°× ±	担当者 (CHK.) T. EBISAWA	承認 (APPD.) Y. MIZUSAWA	質量 (MASS)	版数 (REV.) 2

DOF-C-212F (05.08)

WISDOM承認