



Chipsmall Limited consists of a professional team with an average of over 10 year of expertise in the distribution of electronic components. Based in Hongkong, we have already established firm and mutual-benefit business relationships with customers from,Europe,America and south Asia,supplying obsolete and hard-to-find components to meet their specific needs.

With the principle of “Quality Parts,Customers Priority,Honest Operation,and Considerate Service”,our business mainly focus on the distribution of electronic components. Line cards we deal with include Microchip,ALPS,ROHM,Xilinx,Pulse,ON,Everlight and Freescale. Main products comprise IC,Modules,Potentiometer,IC Socket,Relay,Connector.Our parts cover such applications as commercial,industrial, and automotives areas.

We are looking forward to setting up business relationship with you and hope to provide you with the best service and solution. Let us make a better world for our industry!



Contact us

Tel: +86-755-8981 8866 Fax: +86-755-8427 6832

Email & Skype: info@chipsmall.com Web: www.chipsmall.com

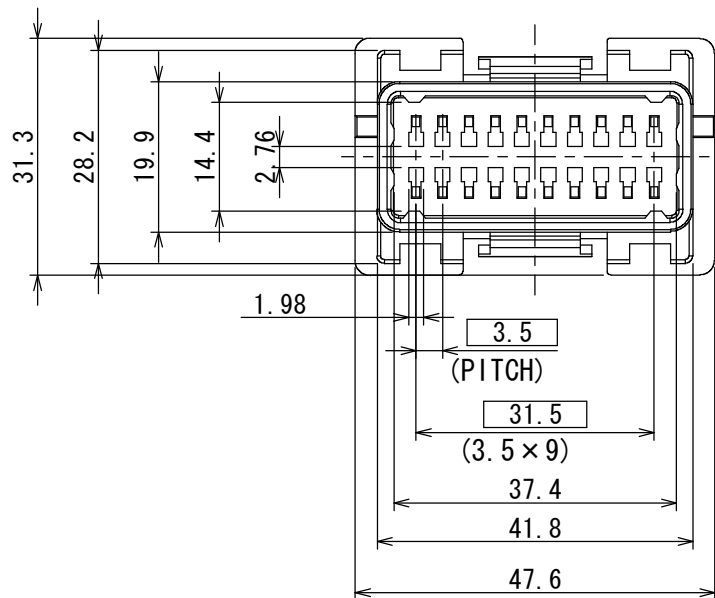
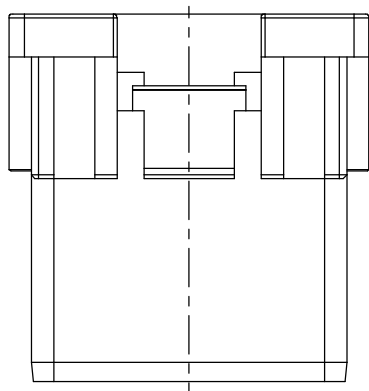
Address: A1208, Overseas Decoration Building, #122 Zhenhua RD., Futian, Shenzhen, China



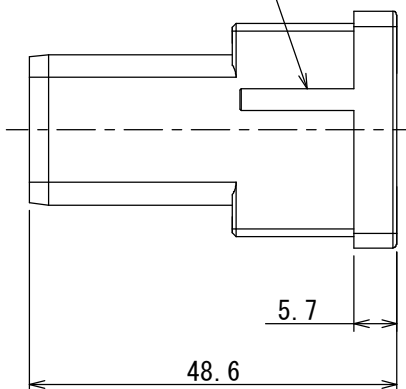
603111CS

(ON 9N1MARD) 台架型図

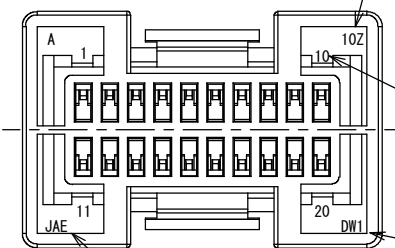
版数 REV.	年月日 DATE	GN NO.	変更内容 DESCRIPTION	製図 DR.	担当 CHK.	査閲 APPD.	承認 APPD.
2	16/JAN/2012	000847	CORRECT AN ERROR	—	K. KIMURA	Y. ITOU	G. HAGA



POLARIZING KEY
極性キー



YEAR AND MONTH MANUFACTURED
製造年月
(NOTE2)



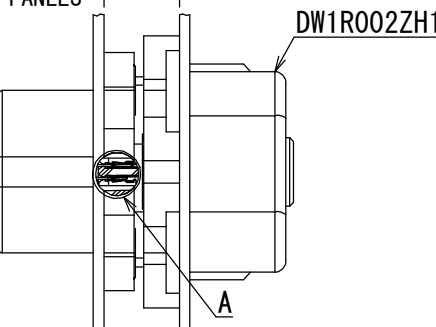
CONTACT NUMBER
端子番号
(NOTE3)

PART NO.
品名
(NOTE3)

RAISED COMPANY LOGO
社標
(NOTE3)

20 ±1
DIMENSION BETWEEN PANELS
パネル間寸法

DW1P002ZH1



MATED CONDITION (REF)
嵌合状態図 (参考)
(1:2)

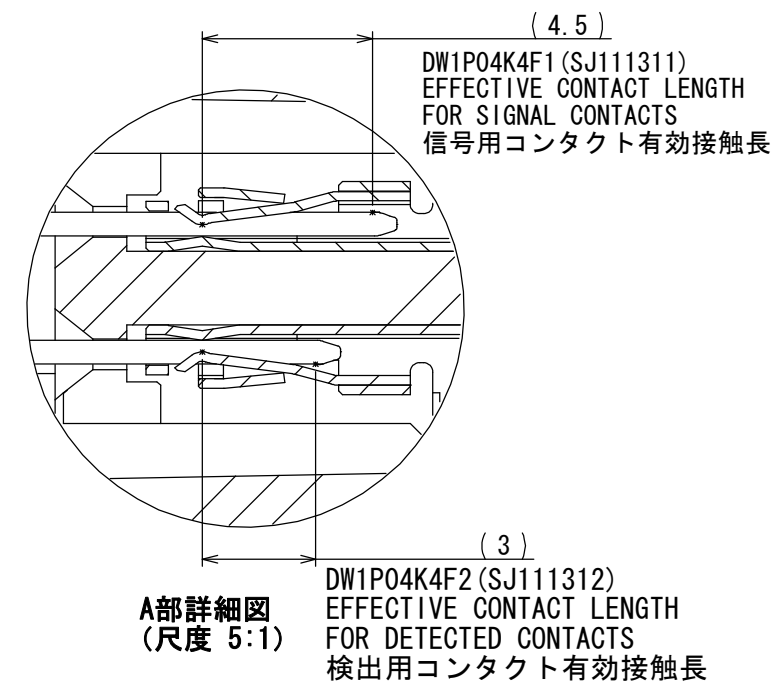
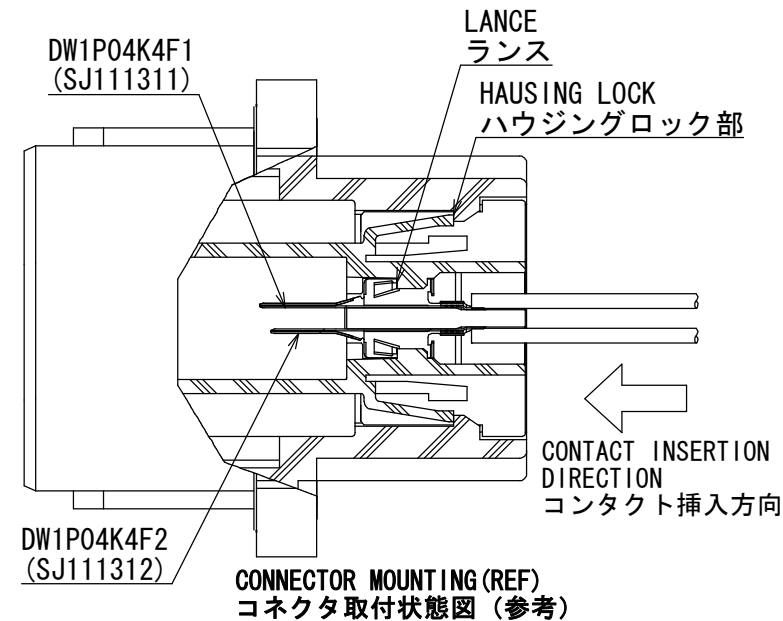


TABLE-1

CONTACT PART NUMBER	SIZE	OUTER DIAMETER	REMARKS
DW1P04K4F1 (SJ111311)	AWG#22	φ1.5	SIGNAL CONTACT
DW1P04K4F2 (SJ111312)	AWG#22	φ1.5	DETECTED CONTACT

特別管理品目
SPECIAL CONTROL ITEM
Li電池

NOTE 1. CONTACTS ARE SOLD SEPARATELY. THE APPLICABLE CONTACTS ARE LISTED IN THE TABLE-1.

NOTE 2. YEAR AND MONTH OF MANUFACTURED SHALL BE SHOWN AT THE LOCATION.
(LEFT: TWO LAST DIGIT OF YEAR, RIGHT: MONTH 123456789XYZ)
EX. '10Z' → MANUFACTURED IN DEC. 2010

NOTE 3. THE COMPANY NAME, THE PART NUMBER AND TERMINAL NUMBER SHALL BE MARKED AS SHOWN IN THE DRAWING.

注 1. 本製品はコネクタ別売品であり、適用コネクタは表-1のとおりである。

注 2. 図示の位置に製造年月を表示する。
(左側: 西暦3桁、4桁目、右側: 月123456789XYZ)
例: '10Z' → 製造年月2010年12月

注 3. 図示の位置に社標及び品名、端子番号を表示する。

1	PLUG HOUSING	1	GLASS FILLED PBT	COLOR: BROWN	UL94-V-0
符号 NO.	名称 DESCRIPTION	個数 QTY.	材料 MATERIAL	仕上 FINISH	備考 REMARKS
仕様書 (SPECIFICATION)	第1版 (ORIGINAL DATE)	尺度 (SCALE)	シリーズ (SERIES)	日本航空電子工業株式会社	
JACS-30177 J AHL-30177	05/JAN/2011	1:1	DW1	JAPAN AVIATION ELECTRONICS INDUSTRY, LTD.	
一般公差 (GENERAL TOLERANCE)	製図 DR.	名称 (TITLE)			
寸法 (DIMENSION)	角度 (ANGLES)	DW1P020		図面番号 (DRAWING NO.)	
. ±0.8	×° ±	質量 (MASS)		SJ111309	
. × ±0.4	×°× ±	—		版数 (REV.)	
. ×× ±0.1				2	
. ××× ±					