



Chipsmall Limited consists of a professional team with an average of over 10 year of expertise in the distribution of electronic components. Based in Hongkong, we have already established firm and mutual-benefit business relationships with customers from,Europe,America and south Asia,supplying obsolete and hard-to-find components to meet their specific needs.

With the principle of “Quality Parts,Customers Priority,Honest Operation,and Considerate Service”,our business mainly focus on the distribution of electronic components. Line cards we deal with include Microchip,ALPS,ROHM,Xilinx,Pulse,ON,Everlight and Freescale. Main products comprise IC,Modules,Potentiometer,IC Socket,Relay,Connector.Our parts cover such applications as commercial,industrial, and automotives areas.

We are looking forward to setting up business relationship with you and hope to provide you with the best service and solution. Let us make a better world for our industry!



## Contact us

Tel: +86-755-8981 8866 Fax: +86-755-8427 6832

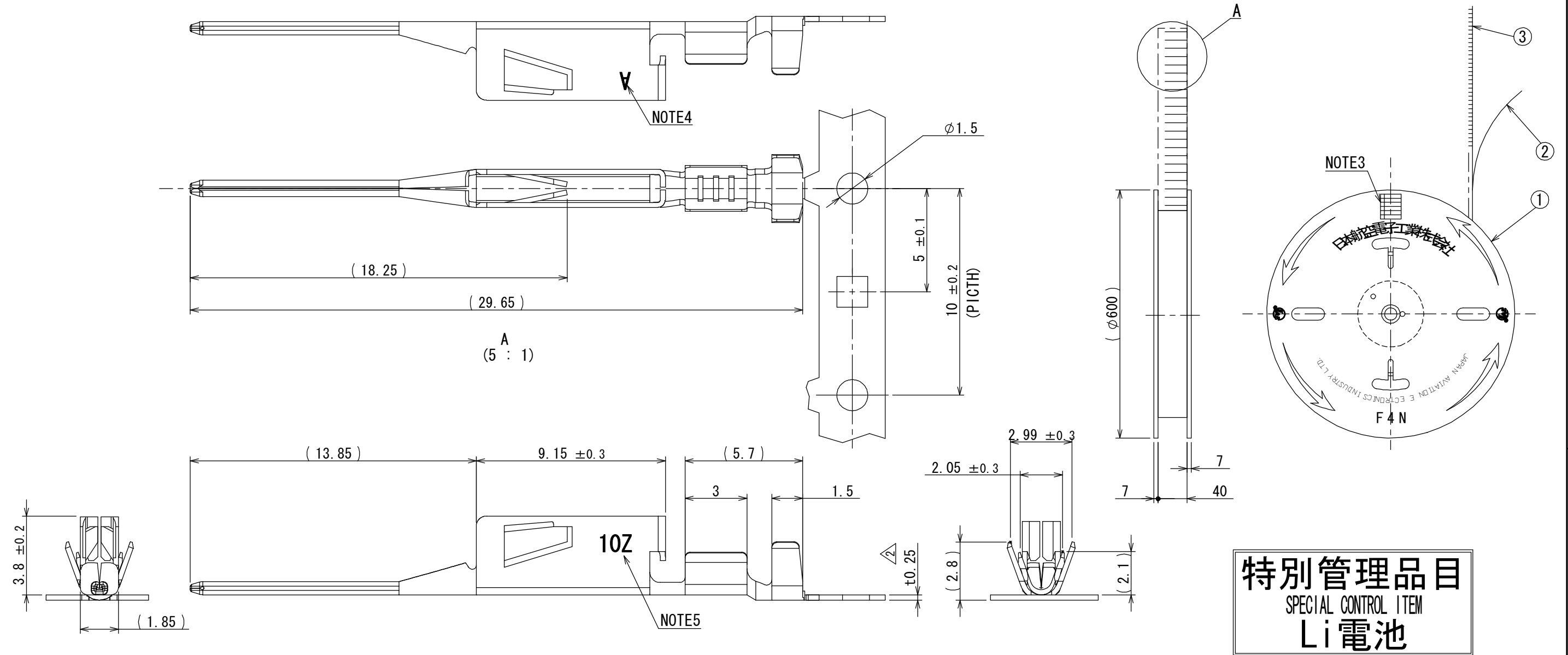
Email & Skype: info@chipsmall.com Web: www.chipsmall.com

Address: A1208, Overseas Decoration Building, #122 Zhenhua RD., Futian, Shenzhen, China



SJ11311  
(ON DRAWING) 台番号

版数 REV.	年月日 DATE	DCN NO.	変更内容 DESCRIPTION	製 図 DR.	担 当 CHK.	査 閲 APPD.	承 認 APPD.
2	18/JAN/2011	071440	誤記(尺度)訂正	—	K. KIMURA	Y. ITOU	Y. MIZUSAWA
3	17/NOV/2011	000843	REVISED FORM AND CORRECT AN ERROR	—	K. KIMURA	Y. ITOU	Y. MIZUSAWA



- NOTE 1. THESE CONTACTS ARE SUPPLIED PER REEL. THERE ARE 4,000 CONTACTS PER REEL.  
 NOTE 2. APPLICABLE WIRE: AWG#22 (0.3mm<sup>2</sup>) INSULATION OUTER DIAMETER:  $\phi 1.5$  (STRANDED)  
 NOTE 3. PART NUMBER, QUANTITY AS INDICATED.  
 NOTE 4. THE MARK DENOTES TYPE OF THE CONTACT AT THE LOCATION SHOWN.  
 ; "A" IS FOR SIGNAL CONTACT, AND "B" FOR DETECTED CONTACT (SJ11312).  
 NOTE 5. YEAR AND MONTH OF MANUFACTURE SHALL BE SHOWN AT THE LOCATION.  
 (LEFT: ONE LAST DIGIT OF YEAR, RIGHT: MONTH 123456789XYZ)  
 EX. '10Z' → MANUFACTURED IN DEC. 2010

- 注 1. 本コンタクトはリール状で供給され、4000[PC/リール]とする。  
 注 2. 使用電極AWG#22(0.3mm<sup>2</sup>)相当。被覆外径 $\phi 1.5$ の燃線とする。  
 注 3. 図示の位置に品名、数量を記入した現品表が貼られている。  
 注 4. 図示の位置の印はコンタクトの種類を示し、  
 信号コンタクトの時はA、検出コンタクト(SJ11312)の時はBを表示する。  
 注 5. 図示の位置に製造年月日を表示する。  
 (左側: 西暦3桁、4桁目、右側: 月123456789XYZ)  
 例: '10Z' → 製造年月2010年12月

符号 NO.	名 称 DESCRIPTION	個 数 QTY.	材 料 MATERIAL	仕 上 FINISH	備 考 REMARKS
3	PIN CONTACT	4000	COPPER ALLOY	TIN PLATE	—
2	PAPER TAPE	1	PAPER	—	—
1	MAGAZINE	1	PAPER	—	—

仕様書(SPECIFICATION) JACS-30177 JAHL-30177		第1版(ORIGINAL DATE) 05/JAN/2011		尺度(SCALE) —	シリーズ(SERIES) DW1	日本航空電子工業株式会社 JAE JAPAN AVIATION ELECTRONICS INDUSTRY, LTD.	図面番号(DRAWING NO.) SJ11311	版数 (REV.) 3
一般公差(GENERAL TOLERANCE) 寸法(DIMENSION)		製 図 DR. 担 当 CHK. 査 閲 APPD. 承 認 APPD.		名称(TITLE) DW1P04K4F1				
±0.8 × ±0.4 ×× ±0.1 ××× ±		角 度 (ANGLES) ×° ± ×°×' ±		—		—	—	—

WISDOM承認 2011/11/30

DCF-C-212E (05.08)

