



Chipsmall Limited consists of a professional team with an average of over 10 year of expertise in the distribution of electronic components. Based in Hongkong, we have already established firm and mutual-benefit business relationships with customers from,Europe,America and south Asia,supplying obsolete and hard-to-find components to meet their specific needs.

With the principle of “Quality Parts,Customers Priority,Honest Operation,and Considerate Service”,our business mainly focus on the distribution of electronic components. Line cards we deal with include Microchip,ALPS,ROHM,Xilinx,Pulse,ON,Everlight and Freescale. Main products comprise IC,Modules,Potentiometer,IC Socket,Relay,Connector.Our parts cover such applications as commercial,industrial, and automotives areas.

We are looking forward to setting up business relationship with you and hope to provide you with the best service and solution. Let us make a better world for our industry!



Contact us

Tel: +86-755-8981 8866 Fax: +86-755-8427 6832

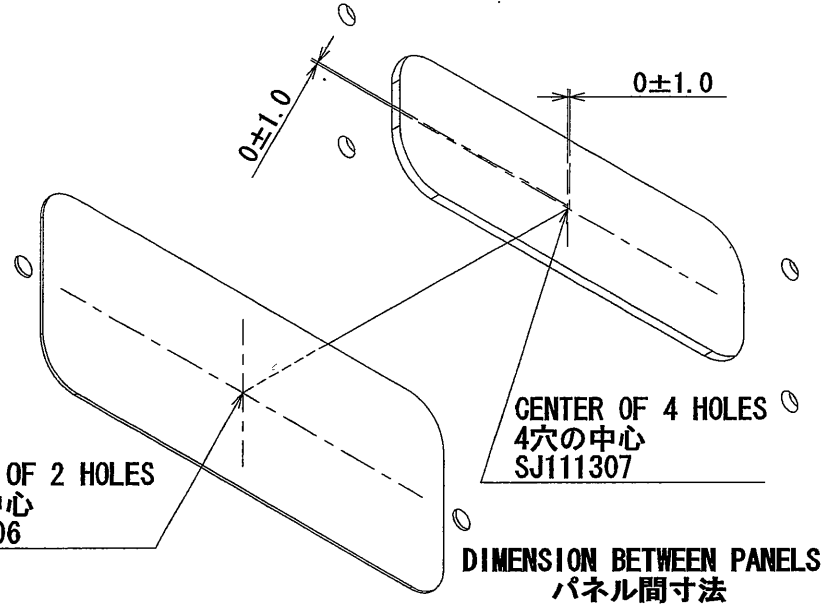
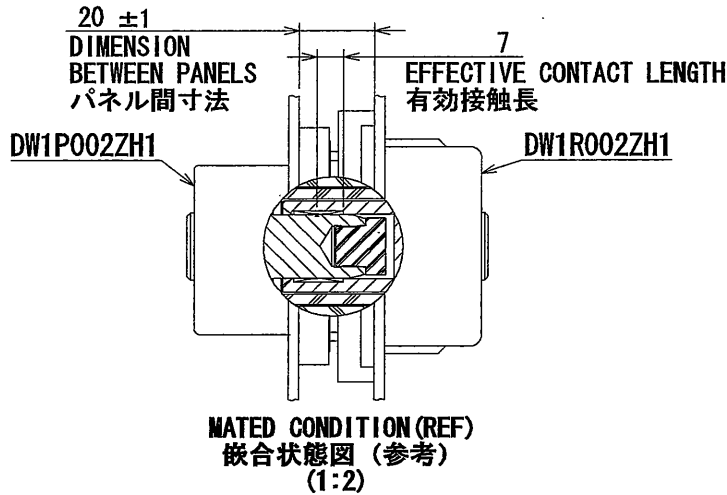
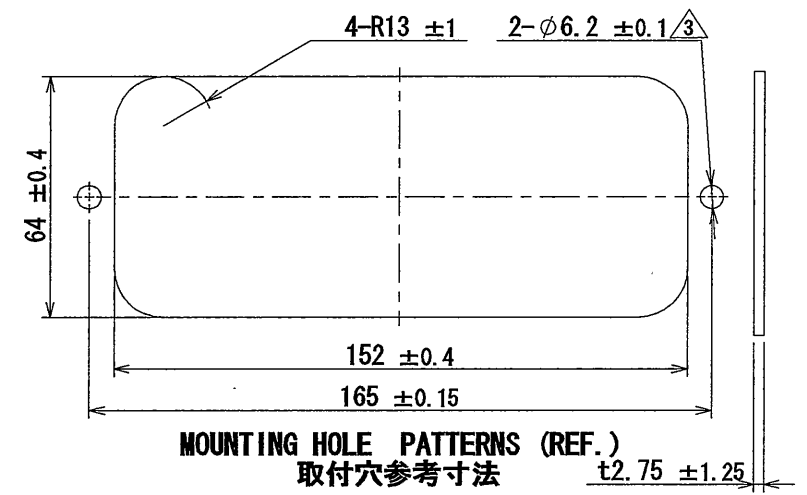
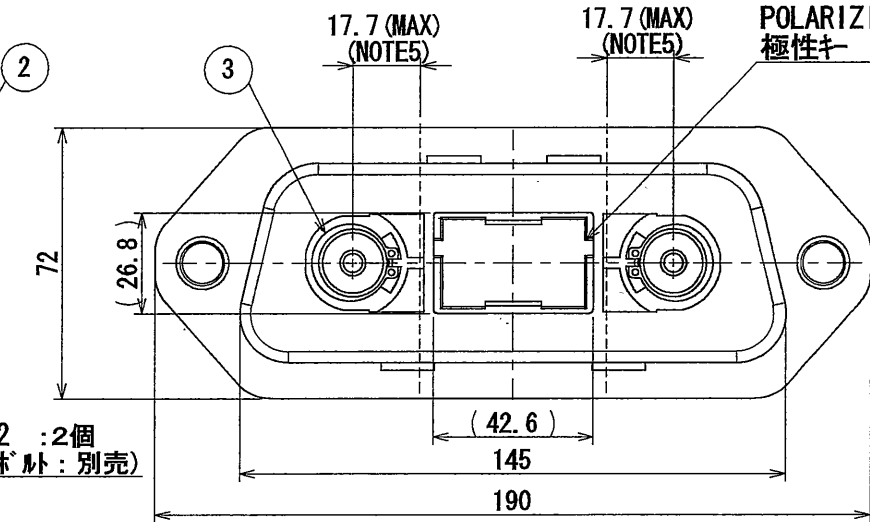
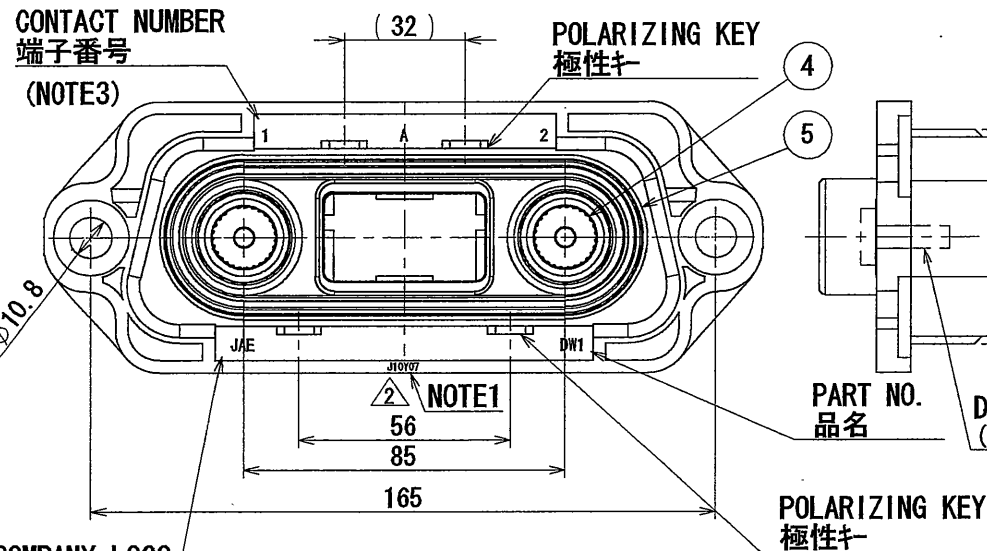
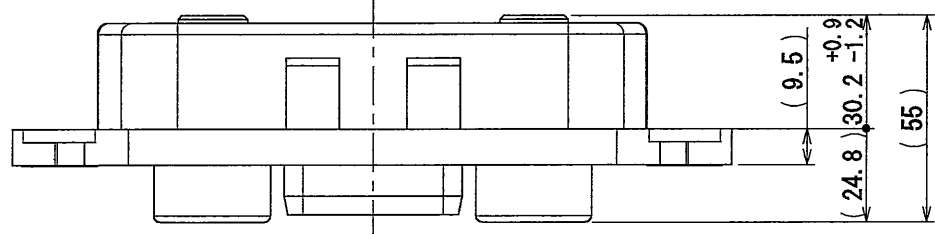
Email & Skype: info@chipsmall.com Web: www.chipsmall.com

Address: A1208, Overseas Decoration Building, #122 Zhenhua RD., Futian, Shenzhen, China



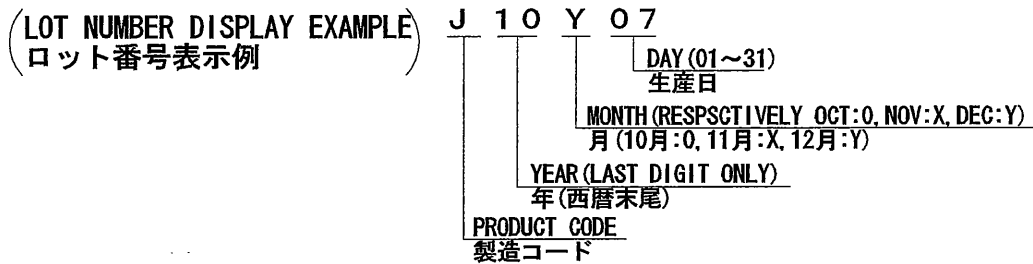
90311130
(ON DRAWING) 台番号

版数 REV.	年月日 DATE	DCN NO.	変更内容 DESCRIPTION	製図 DR.	担当 CHK.	査閲 APPD.	承認 APPD.
2	19/JAN/2011	071448	REVISED LOT # MARKED POSITION.	—	Y. ITOU	—	Y. MIZUSAWA
3	03/FEB/2011	071558	ADDED DIMENSION	—	K. KIMURA	<i>Y. Itoh</i>	<i>Y. Mizusawa</i>



特別管理品目
SPECIAL CONTROL ITEM
Li電池

NOTE1. PRODUCTION LOT NUMBER AS INDICATED.



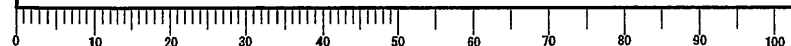
NOTE2. THE SCREW-TIGHTENING TORQUE SHALL BE 5.2 N·m.
NOTE3. THE COMPANY NAME, THE PART NUMBER AND TERMINAL NUMBER SHALL BE MARKED AS SHOWN IN THE DRAWING.
NOTE4. THIS CONNECTOR IS NOT WATER-PROOF, NOT DUST-PROOF.
NOTE5. RANGE OF CONDUCTOR (BUS BAR ETC.)

注1. 図示の箇所にロット番号を表示する。
注2. 取り付け時の締め付けトルクは5.2N・mとする。
注3. 図示の位置に社標及び品名、端子番号を表示する。
注4. 本品は防水・防塵コネクタではありません。
注5. 取り付ける導体（ブスバー等）の範囲

符号 NO.	名称 DESCRIPTION	数量 QTY.	材料 MATERIAL	仕上 FINISH	備考 REMARKS
5	SEAL RING	1	SILICON RUBBER	COLOR: GRAY	UL94 V-0
4	SPRING CONTACT	2	COPPER ALLOY	SILVER PLATING	—
3	C SNAP RING	2	STAINLESS STEEL	—	—
2	SOCKET CONTACT	2	COPPER ALLOY	SILVER PLATING	—
1	RECEPTACLE HOUSING	1	PPS	COLOR: BROWN	UL94 V-0

仕様書 (SPECIFICATION) JACS-30177 JAHL-30177		第1版 (ORIGINAL DATE) 05/JAN/2011		尺度 (SCALE) 1:2		シリーズ (SERIES) DW1		日本航空電子工業株式会社	
一般公差 (GENERAL TOLERANCE) 寸法 (DIMENSION) 角度 (ANGLES)		製図 DR. K. KIMURA		名称 (TITLE) DW1R002ZH1		質量 (MASS)		JAE JAPAN AVIATION ELECTRONICS INDUSTRY, LTD.	
. ±0.8 . × ±0.4 . × × ±0.1 . × × × ±		担当 CHK. T. EBISAWA		査閲 APPD. —		—		図面番号 (DRAWING NO.) SJ111306	
		承認 APPD. Y. MIZUSAWA						版数 (REV.) 3	

DCF-C-212F (05.08)



WISDOM承認