



Chipsmall Limited consists of a professional team with an average of over 10 year of expertise in the distribution of electronic components. Based in Hongkong, we have already established firm and mutual-benefit business relationships with customers from,Europe,America and south Asia,supplying obsolete and hard-to-find components to meet their specific needs.

With the principle of “Quality Parts,Customers Priority,Honest Operation,and Considerate Service”,our business mainly focus on the distribution of electronic components. Line cards we deal with include Microchip,ALPS,ROHM,Xilinx,Pulse,ON,Everlight and Freescale. Main products comprise IC,Modules,Potentiometer,IC Socket,Relay,Connector.Our parts cover such applications as commercial,industrial, and automotives areas.

We are looking forward to setting up business relationship with you and hope to provide you with the best service and solution. Let us make a better world for our industry!



Contact us

Tel: +86-755-8981 8866 Fax: +86-755-8427 6832

Email & Skype: info@chipsmall.com Web: www.chipsmall.com

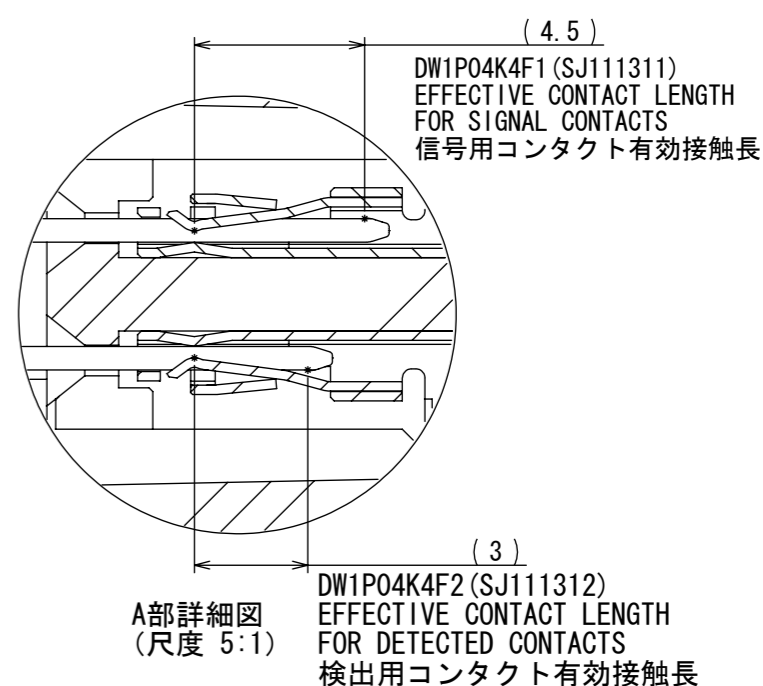
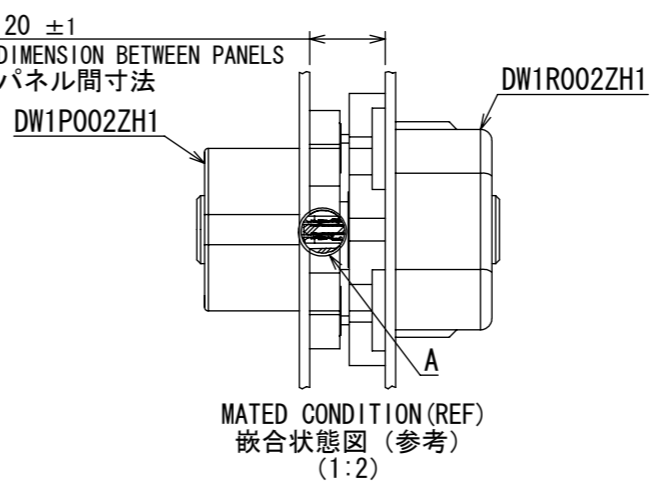
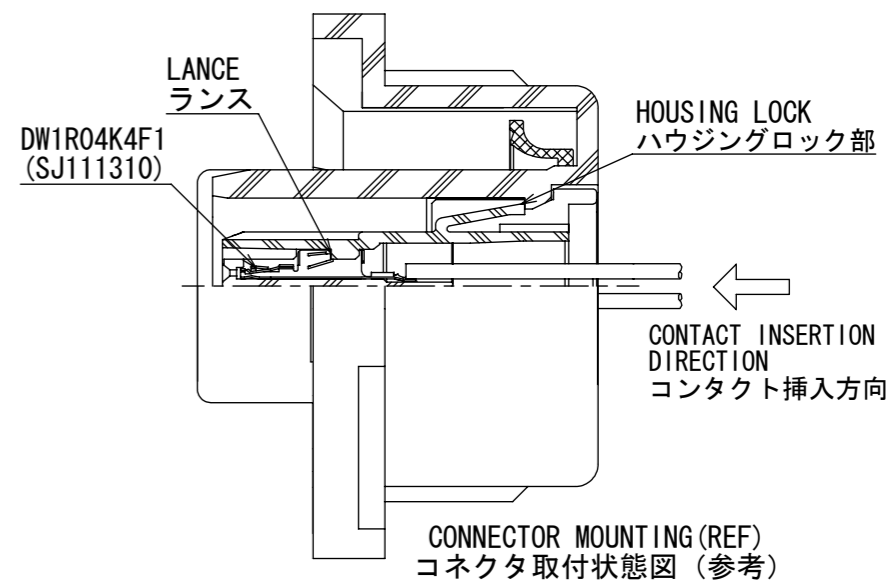
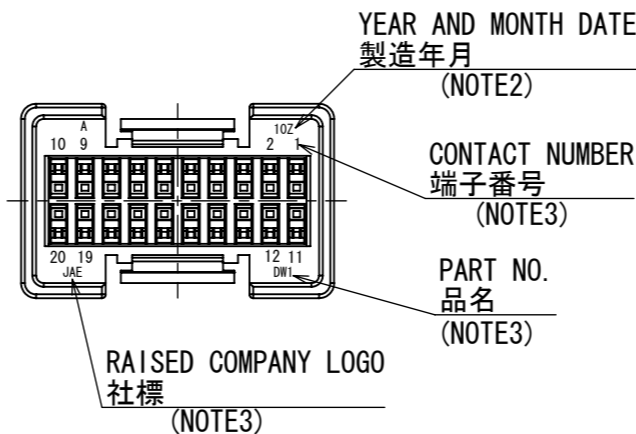
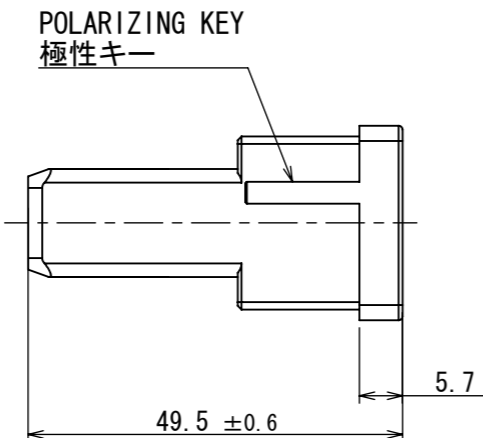
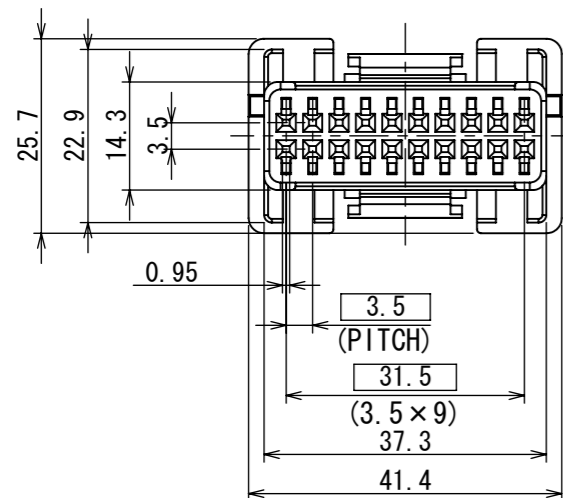
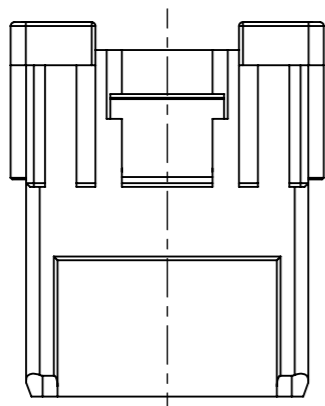
Address: A1208, Overseas Decoration Building, #122 Zhenhua RD., Futian, Shenzhen, China



80311130S

(ON DRAWING) 台型型図

版数 REV.	年月日 DATE	DCN NO.	変更内容 DESCRIPTION	製図 DR.	担当 CHK.	査閲 APPD.	承認 APPD.
2	11/NOV/2011	000467	CORRECT AN ERROR	—	Y. ITOU	—	G. HAGA



CONTACT PART NUMBER	SIZE	OUTER DIAMETER	REMARKS
DW1S04K4F1 (SJ111310)	AWG#22	φ 1.5	SIGNAL CONTACT

特別管理品目
SPECIAL CONTROL ITEM
Li電池

- NOTE 1. CONTACTS ARE SOLD SEPARATELY. THE APPLICABLE CONTACTS ARE LISTED IN THE TABLE-1.
NOTE 2. YEAR AND MONTH OF MANUFACTURED SHALL BE SHOWN AT THE LOCATION. (LEFT: ONE LAST DIGIT OF YEAR, RIGHT: MONTH 123456789XYZ)
EX. '10Z' → MANUFACTURED IN DEC. 2010
NOTE 3. THE COMPANY NAME, THE PART NUMBER AND TERMINAL NUMBER SHALL BE MARKED AS SHOWN IN THE DRAWING.

- 注 1. 本製品はコネクタ別売品であり、適用コネクタは表-1のとおりである。
注 2. 図示の位置に製造年月を表示する。
(左側: 西暦3桁、4桁目、右側: 月123456789XYZ)
例: '10Z' → 製造年月2010年12月
注 3. 図示の位置に社標及び品名、端子番号を表示する。

1	RECEPTACLE HOUSING	1	GLASS FILLED PBT	COLOR: BROWN	—
符号 NO.	名称 DESCRIPTION	個数 QTY.	材料 MATERIAL	仕上 FINISH	備考 REMARKS

仕様書 (SPECIFICATION)		第1版 (ORIGINAL DATE)		尺度 (SCALE)	シリーズ (SERIES)	日本航空電子工業株式会社
JACS-30177 JAHL-30177		05/JAN/2011		1:1	DW1	
一般公差 (GENERAL TOLERANCE)		製図 DR.	K. KIMURA	名称 (TITLE)		JAPAN AVIATION ELECTRONICS INDUSTRY, LTD.
寸法 (DIMENSION)		担当 CHK.	T. EBISAWA	DW1R020		
角度 (ANGLES)		査閲 APPD.	—	質量 (MASS)	—	図面番号 (DRAWING NO.)
. ± 0.8	×° ±	承認 APPD.	Y. MIZUSAWA	—	—	SJ111308
. × ± 0.4	×° ×' ±					版数 (REV.)
. × × ± 0.1						2
. × × × ±						

WISDOM承認 2011/11/17

Reference Only

SIZE A3

DCF-C-212E (05.08)

