



Chipsmall Limited consists of a professional team with an average of over 10 year of expertise in the distribution of electronic components. Based in Hongkong, we have already established firm and mutual-benefit business relationships with customers from,Europe,America and south Asia,supplying obsolete and hard-to-find components to meet their specific needs.

With the principle of “Quality Parts,Customers Priority,Honest Operation,and Considerate Service”,our business mainly focus on the distribution of electronic components. Line cards we deal with include Microchip,ALPS,ROHM,Xilinx,Pulse,ON,Everlight and Freescale. Main products comprise IC,Modules,Potentiometer,IC Socket,Relay,Connector.Our parts cover such applications as commercial,industrial, and automotives areas.

We are looking forward to setting up business relationship with you and hope to provide you with the best service and solution. Let us make a better world for our industry!



## Contact us

Tel: +86-755-8981 8866 Fax: +86-755-8427 6832

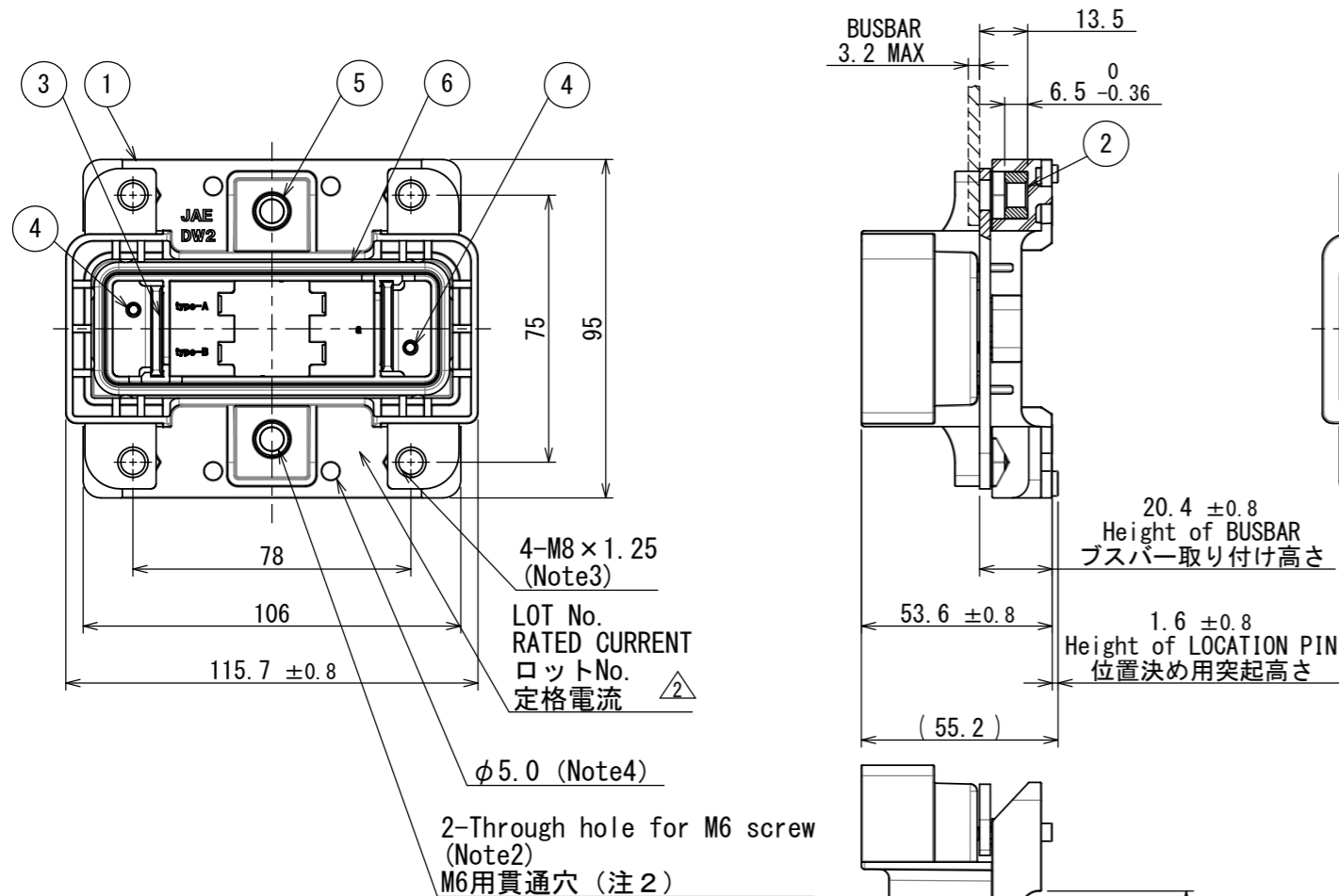
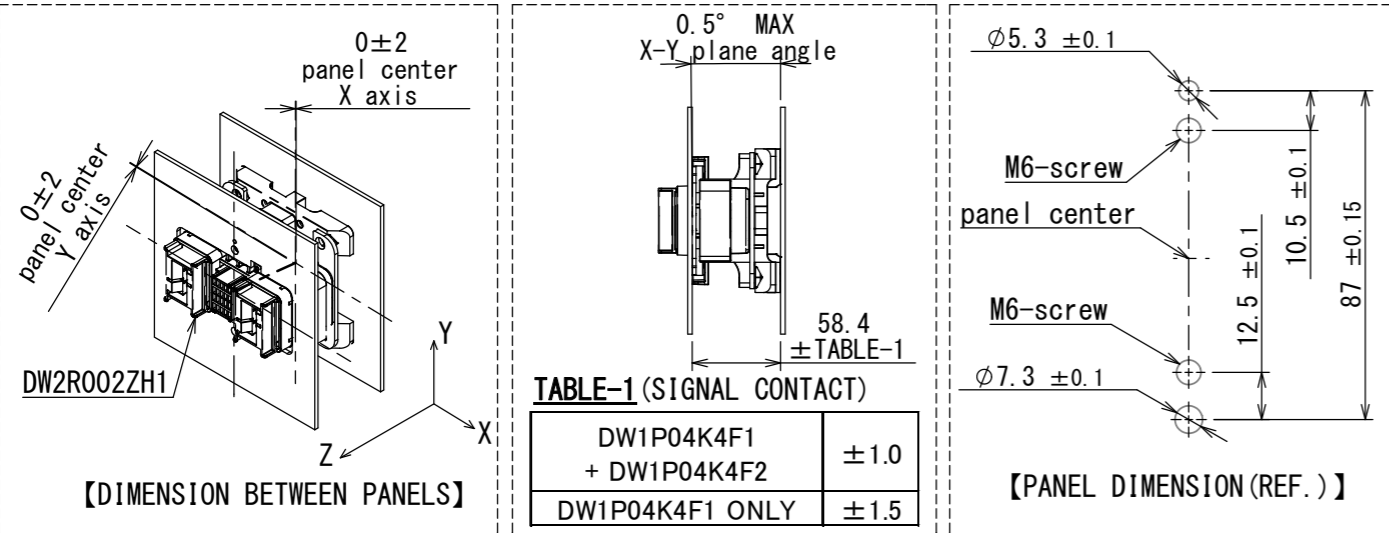
Email & Skype: info@chipsmall.com Web: www.chipsmall.com

Address: A1208, Overseas Decoration Building, #122 Zhenhua RD., Futian, Shenzhen, China



版数 VER.	年月日 DATE	CN NO.	変更内容 DESCRIPTION	製図 DR.	担当 CHK.	査問 APPD.	承認 APPD.
2	18/APR/2016	016883	Add UL.		Y. ITOU	—	T. KUDOU

△ UL Recognized Component



Note 1. PRODUCTION LOT NUMBER AS INDICATED.  
Note 2. TIGHTEN SCREW (M6) WITH 5.2[N·m] ± 0.3[N·m]  
Note 3. TIGHTEN SCREW (M8) WITH 12.5[N·m] ± 0.75[N·m]  
Note 4. HOLE FOR CABLE UNITY BAND.

注1. 図示の箇所にロットNo. を表示  
(LOT NUMBER DISPLAY EXAMPLE ロット番号表示例)  
J 1 1 Y 0 7  
生産日 (DAY)  
月 (10月:0, 11月:X, 12月:Y) (MONTH OCT:0, NOV:X, DEC:Y)  
年 (西暦末尾) (YEAR LAST DIGIT ONLY)  
製造コード (PRODUCT CODE)

注2. 本体ネジ (M6) 締付トルク 5.2[N·m] ± 0.3[N·m]  
注3. 導電部ねじ (M8) 締付トルク 12.5[N·m] ± 0.75[N·m]  
注4. ケーブル結束バンド用穴

符号 NO.	名称 DESCRIPTION	個数 QTY.	材料 MATERIAL	仕上 FINISH	備考 REMARKS
6	GASKET	1	SILICON RUBBER	COLOR: GREY	
5	SLEEVE	2	BRASS	—	
4	SPRING PIN	2	STAINLESS STEEL	—	
3	PIN CONTACT	2	COPPER ALLOY	SILVER PLATING	
2	M8 HEXAGON NUT	4	BRASS	NICKEL PLATING	
1	OUTER HOUSING	1	PPS	COLOR: BLACK	

仕様書 (SPECIFICATION) JACS-30188 JAHL-30188	第1版 (ORIGINAL DATE) 16/DEC/2011	尺度 (SCALE) 1:2	シリーズ (SERIES) DW2	日本航空電子工業株式会社 JAPAN AVIATION ELECTRONICS INDUSTRY, LTD.
一般公差 (GENERAL TOLERANCE) 寸法 (DIMENSION) × ±0.8 ×× ±0.4 ××× ±0.1 ×××× ±	角度 (ANGLES) ×° ± ×°×' ±	名称 (TITLE) DW2P002ZH1 (fixed connector)	質量 (MASS) —	図面番号 (DRAWING NO.) SJ112005
担当 CHK. T. EBISAWA	査問 APPD. Y. ITOU	承認 APPD. G. HAGA	仕上 FINISH —	版数 (VER.) 2

DCF-G-212H(12.08)

WISDOM承認 2016/05/17