



Chipsmall Limited consists of a professional team with an average of over 10 year of expertise in the distribution of electronic components. Based in Hongkong, we have already established firm and mutual-benefit business relationships with customers from,Europe,America and south Asia,supplying obsolete and hard-to-find components to meet their specific needs.

With the principle of “Quality Parts,Customers Priority,Honest Operation,and Considerate Service”,our business mainly focus on the distribution of electronic components. Line cards we deal with include Microchip,ALPS,ROHM,Xilinx,Pulse,ON,Everlight and Freescale. Main products comprise IC,Modules,Potentiometer,IC Socket,Relay,Connector.Our parts cover such applications as commercial,industrial, and automotives areas.

We are looking forward to setting up business relationship with you and hope to provide you with the best service and solution. Let us make a better world for our industry!



Contact us

Tel: +86-755-8981 8866 Fax: +86-755-8427 6832

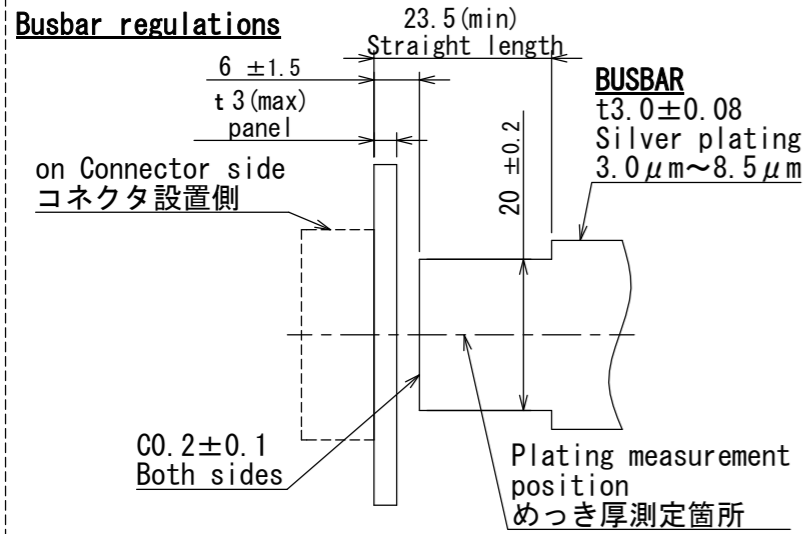
Email & Skype: info@chipsmall.com Web: www.chipsmall.com

Address: A1208, Overseas Decoration Building, #122 Zhenhua RD., Futian, Shenzhen, China

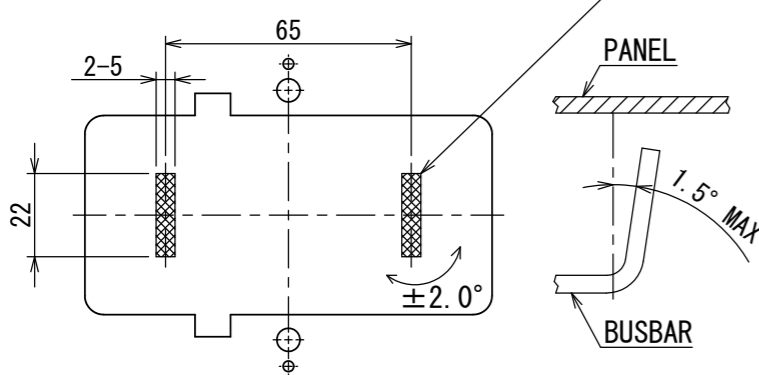


SJ112004
(ON DRAWING)台異図

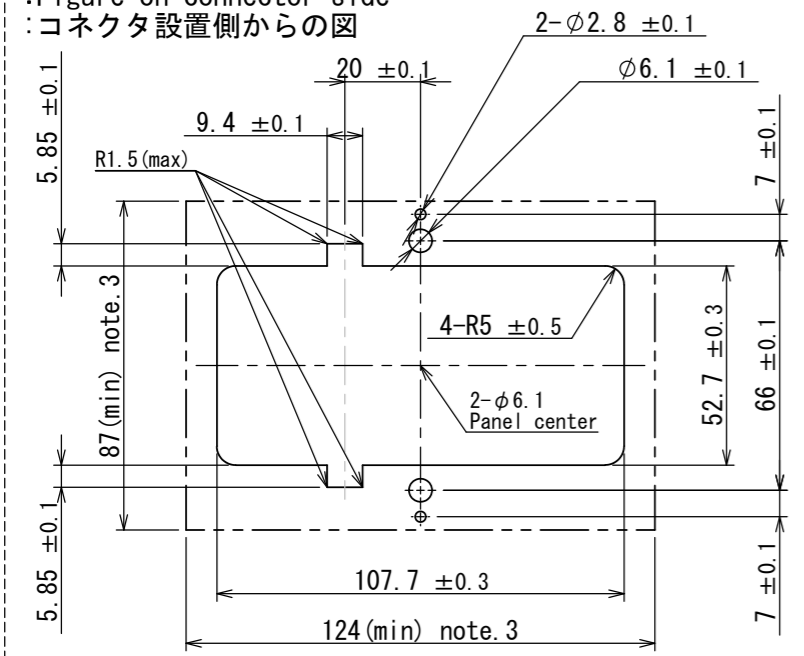
版数 VER.	年月日 DATE	CN NO.	変更内容 DESCRIPTION	製図 DR.	担当 CHK.	査閲 APPD.	承認 APPD.
2	22/FEB/2012	001905	Shape change		T. EBISAWA	Y. ITOU	G. HAGA
3	18/APR/2016	016883	Add UL.		Y. ITOU	-	T. KUDOU



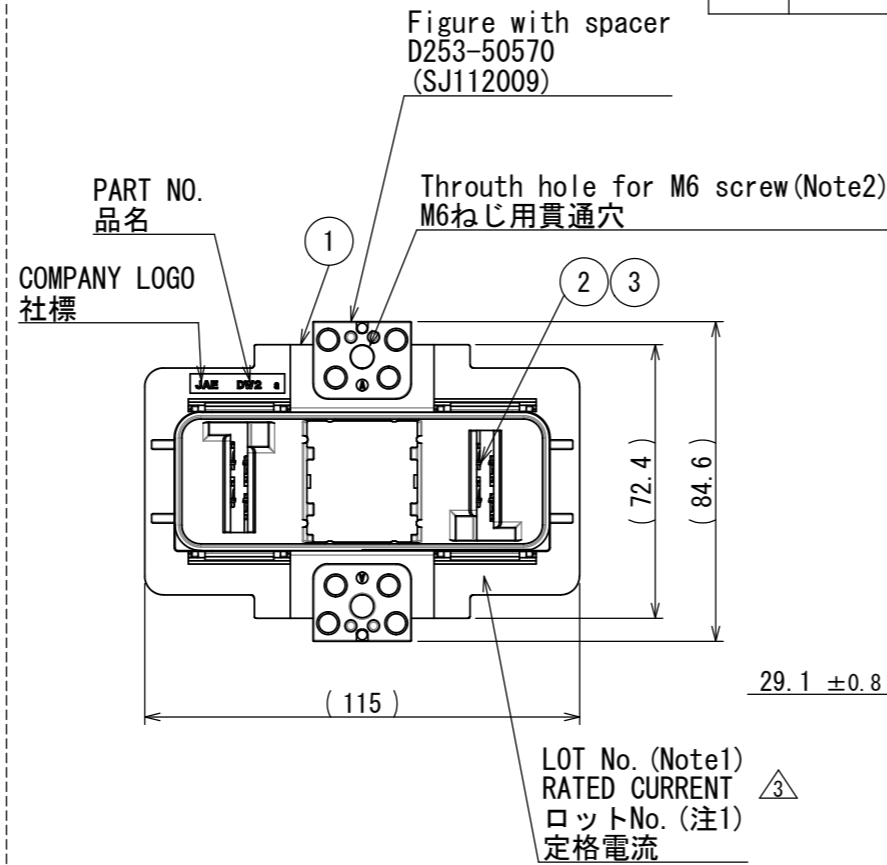
BUSBAR can exist within this range.
The direction of the arrow is 2.0° (max)
ブスバーはこの範囲内のこと。
矢印方向角度は2.0°以下



PANEL DIMENSION (REF.) scale 1:2
:Figure on connector side
:コネクタ設置側からの図



When the connector is assembled to this size of the panel,
the amount of floating is 2.75mm.
本開口部へコネクタを組み込んだ際の可動量は約2.75mm.

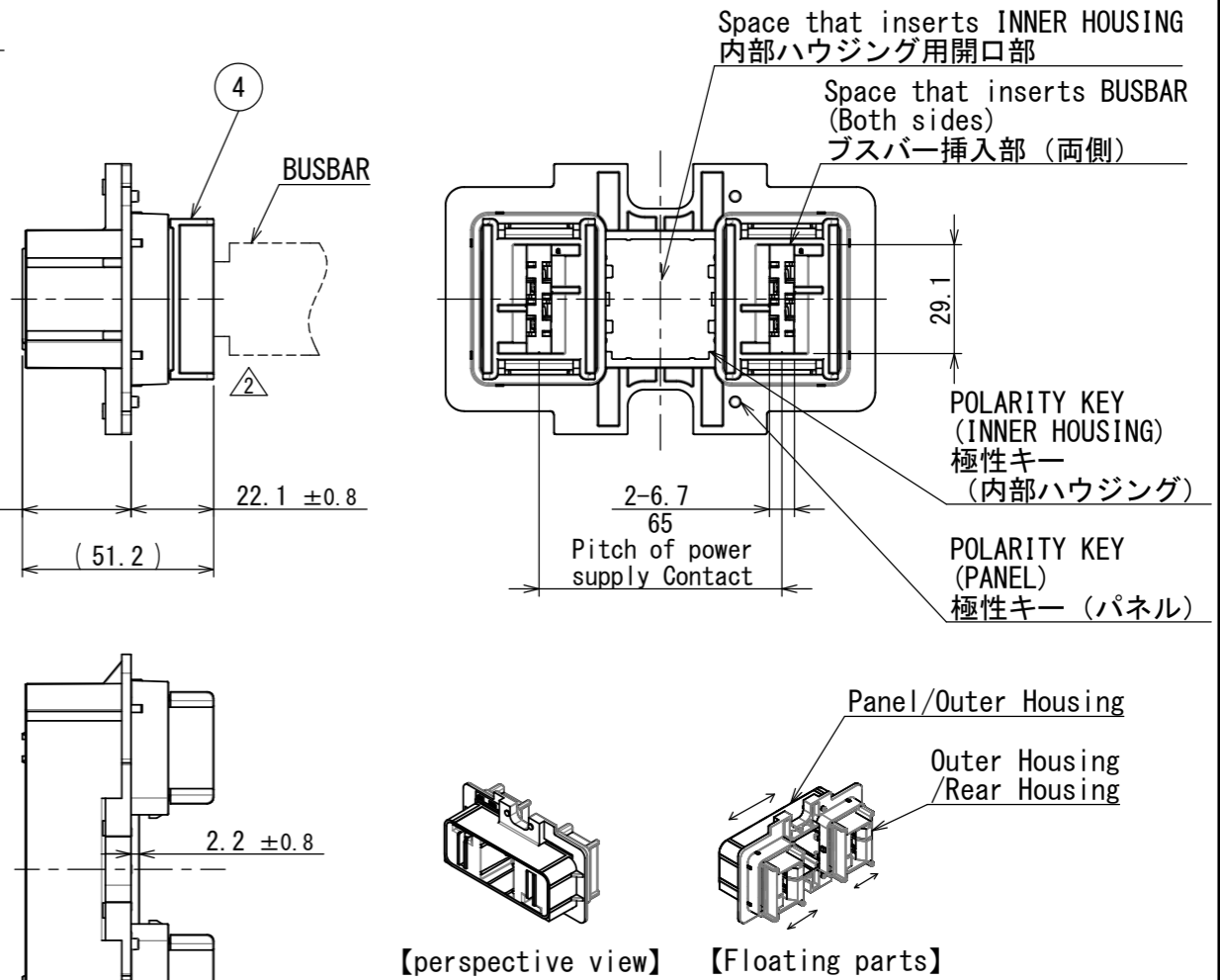


Note 1. PRODUCTION LOT NUMBER AS INDICATED.
Note 2. TIGHTEN SCREW (M6) WITH 5.2 [N · m] ± 0.3 [N · m]
SIZE OF MALE SCREW RIDGE : φ5.82 ~ φ5.97
Note 3. DON'T PUT THE FOREIGN BODY WITHIN THIS RANGE.

注1. 図示の箇所にロットNo.を表示
(LOT NUMBER DISPLAY EXAMPLE ロット番号表示例)
J 1 1 Y 0 7
生産日 (DAY)
月 (10月:0, 11月:X, 12月:Y) (MONTH OCT:0, NOV:X, DEC:Y)
年 (西暦末尾) (YEAR LAST DIGIT ONLY)
製造コード (PRODUCT CODE)

注2. 本体ネジ (M6) 締付トルク 5.2 [N · m] ± 0.3 [N · m]
ねじ山寸法 : φ5.82 ~ φ5.97
注3. この範囲に異物を設けないこと。

UL Recognized Component



4	REAR HOUSING	2	PBT	COLOR: BLACK	
3	HELICAL EXTENSION SPRING	4	STAINLESS STEEL	-	
2	FLOATING CONTACT	8	COPPER ALLOY	SILVER PLATING	
1	OUTER HOUSING	1	PPS	COLOR: BLACK	
符号 NO.	名称 DESCRIPTION	個数 QTY.	材料 MATERIAL	仕上 FINISH	備考 REMARKS

仕様書 (SPECIFICATION) JACS-30188 JAHL-30188		第1版 (ORIGINAL DATE) 16/DEC/2011		尺度 (SCALE) 1:2		シリーズ (SERIES) DW2		日本航空電子工業株式会社	
一般公差 (GENERAL TOLERANCE)		製図 DR.		名称 (TITLE) DW2R002ZH1 (floating connector)		JAE		JAPAN AVIATION ELECTRONICS INDUSTRY, LTD.	
寸法 (DIMENSION)		担当 CHK. T. EBISAWA		質量 (MASS)		図面番号 (DRAWING NO.) SJ112004		版数 (VER.) 3	
角度 (ANGLES)		査閲 APPD. Y. ITOU		承認 APPD. G. HAGA					
単位 (UNIT) : mm									

DCF-G-212H(12.08)

WISDOM承認 2016/05/17