



Chipsmall Limited consists of a professional team with an average of over 10 year of expertise in the distribution of electronic components. Based in Hongkong, we have already established firm and mutual-benefit business relationships with customers from,Europe,America and south Asia,supplying obsolete and hard-to-find components to meet their specific needs.

With the principle of “Quality Parts,Customers Priority,Honest Operation,and Considerate Service”,our business mainly focus on the distribution of electronic components. Line cards we deal with include Microchip,ALPS,ROHM,Xilinx,Pulse,ON,Everlight and Freescale. Main products comprise IC,Modules,Potentiometer,IC Socket,Relay,Connector.Our parts cover such applications as commercial,industrial, and automotives areas.

We are looking forward to setting up business relationship with you and hope to provide you with the best service and solution. Let us make a better world for our industry!



## Contact us

Tel: +86-755-8981 8866 Fax: +86-755-8427 6832

Email & Skype: info@chipsmall.com Web: www.chipsmall.com

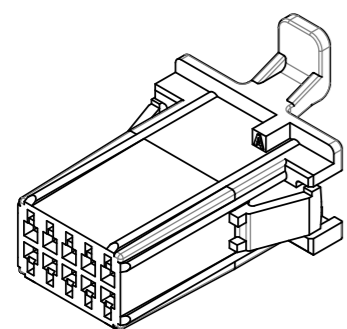
Address: A1208, Overseas Decoration Building, #122 Zhenhua RD., Futian, Shenzhen, China



SJ112007  
 (DRAWING NO.)

版数 VER.	年月日 DATE	CN NO.	変更内容 DESCRIPTION	製図 DR.	担当 CHK.	査閲 APPD.	承認 APPD.
2	22/FEB/2012	001905	Shape change		T. EBISAWA	Y. ITOU	G. HAGA
3	18/APR/2016	016883	Add UL.		Y. ITOU	—	T. KUDO

△ UL Recognized Component



POLARIZING KEY  
 極性キー

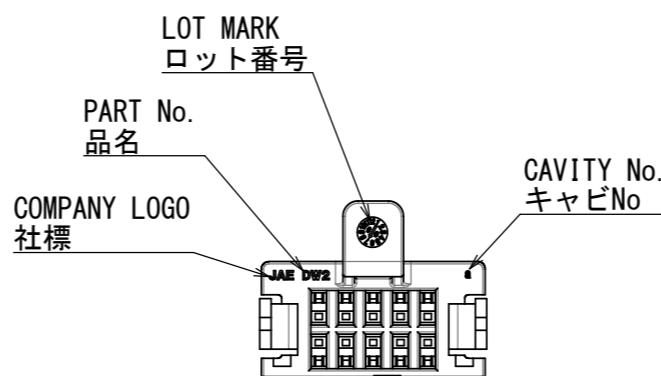
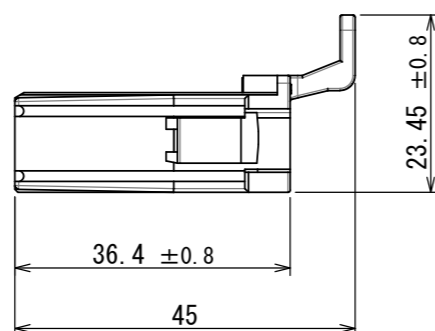
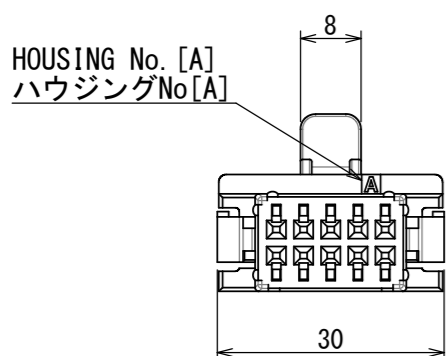
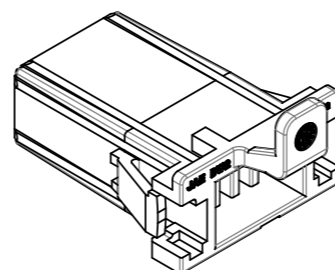
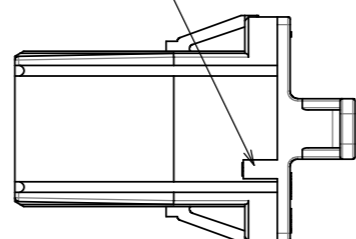
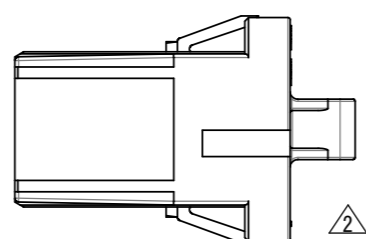


Table-1

Contact Part No	Size	Outer Diameter	Remarks
DW1S04K4F1 (SJ111310)	AWG#22	φ 1.5	Signal Contact

Note 1. CONTACTS ARE SOLD SEPARATELY. THE APPLICABLE CONTACTS ARE LISTED IN THE TABLE-1.  
 Note 2. THE POSITION OF THE POLARITY KEY IS DIFFERENT COMPARED WITH THE FOLLOWING PARTS.  
 DW2R0102 (SJ112008)

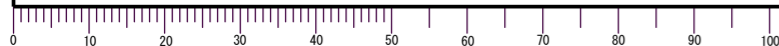
注1. 本製品はコンタクト別売品であり、適用コンタクトは表1のとおりである。  
 注2. 本製品は下記品目と極性キー位置違い品である。  
 DW2R0102 (SJ112008)



1	INNER HOUSING -A	1	PBT	COLOR: BLACK	
符号 NO.	名称 DESCRIPTION	個数 QTY.	材料 MATERIAL	仕上 FINISH	備考 REMARKS

仕様書 (SPECIFICATION) JACS-30188 JAHL-30188		第1版 (ORIGINAL DATE) 16/DEC/2011		尺度 (SCALE) 1:1		シリーズ (SERIES) DW2		日本航空電子工業株式会社	
一般公差 (GENERAL TOLERANCE)		製図 DR.		名称 (TITLE) DW2R0101 (fixed connector inner Housing -A)		JAE		JAPAN AVIATION ELECTRONICS INDUSTRY, LTD.	
寸法 (DIMENSION)		担当 CHK.		査閲 APPD.		質量 (MASS)		図面番号 (DRAWING NO.)	
. ±0.8		T. EBISAWA		Y. ITOU		-		SJ112007	
× ±0.4		査閲 APPD.		承認 APPD.		+		版数 (VER.)	
×× ±0.1		G. HAGA				-		3	
××× ±		単位 (UNIT) : mm							

DCF-G-212H(12.08)



S/W

WISDOM承認 2016/05/17