



Chipsmall Limited consists of a professional team with an average of over 10 year of expertise in the distribution of electronic components. Based in Hongkong, we have already established firm and mutual-benefit business relationships with customers from,Europe,America and south Asia,supplying obsolete and hard-to-find components to meet their specific needs.

With the principle of “Quality Parts,Customers Priority,Honest Operation,and Considerate Service”,our business mainly focus on the distribution of electronic components. Line cards we deal with include Microchip,ALPS,ROHM,Xilinx,Pulse,ON,Everlight and Freescale. Main products comprise IC,Modules,Potentiometer,IC Socket,Relay,Connector.Our parts cover such applications as commercial,industrial, and automotives areas.

We are looking forward to setting up business relationship with you and hope to provide you with the best service and solution. Let us make a better world for our industry!



Contact us

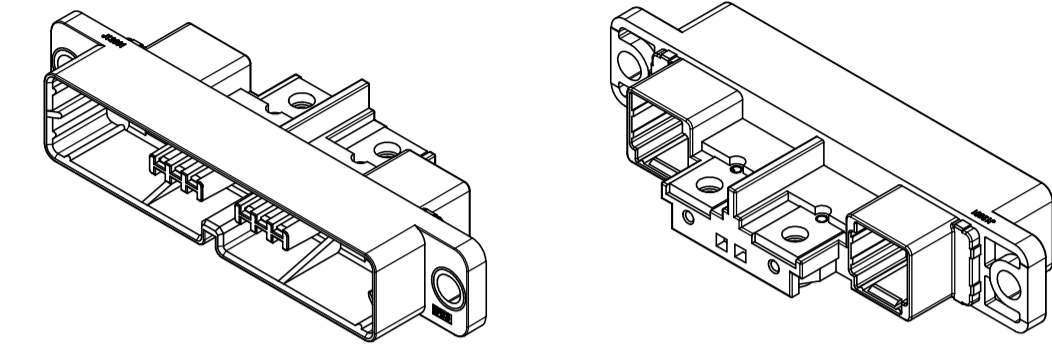
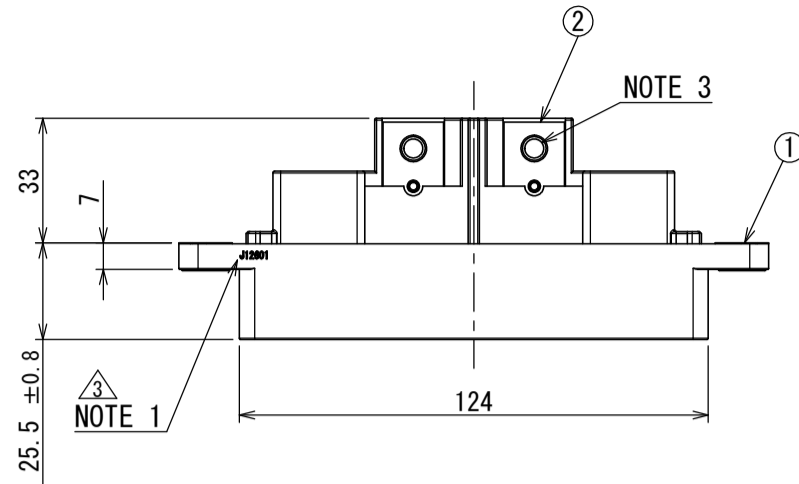
Tel: +86-755-8981 8866 Fax: +86-755-8427 6832

Email & Skype: info@chipsmall.com Web: www.chipsmall.com

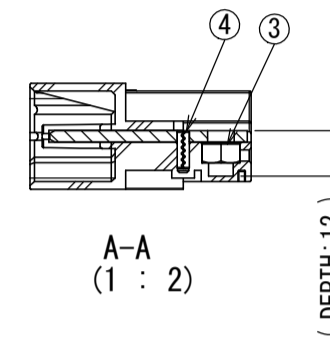
Address: A1208, Overseas Decoration Building, #122 Zhenhua RD., Futian, Shenzhen, China



| 版数 VER. | 年月日 DATE | CN NO. | 変更内容 DESCRIPTION | 製図 DR. | 担当 CHK. | 査閲 APPD. | 承認 APPD. |
|------------|-------------|--------|---|-----------|-------------|-------------|-------------|
| 2 | 25/APR/2013 | 006084 | CHANGE OF PARTS FINISH 部品仕上変更 CORRECTION OF ERRORS 誤記訂正 (改版+α:3個) | - | K. NAKAZAWA | Y. ITOU | T. KUDOU |
| 3 | 31/OCT/2013 | 006471 | DELETION OF RATED CURRENT/VOLTAGE MARKING (定格電流/電圧表示の削除 (改版+α:3個)) | - | K. NAKAZAWA | Y. ITOU | T. KUDOU |

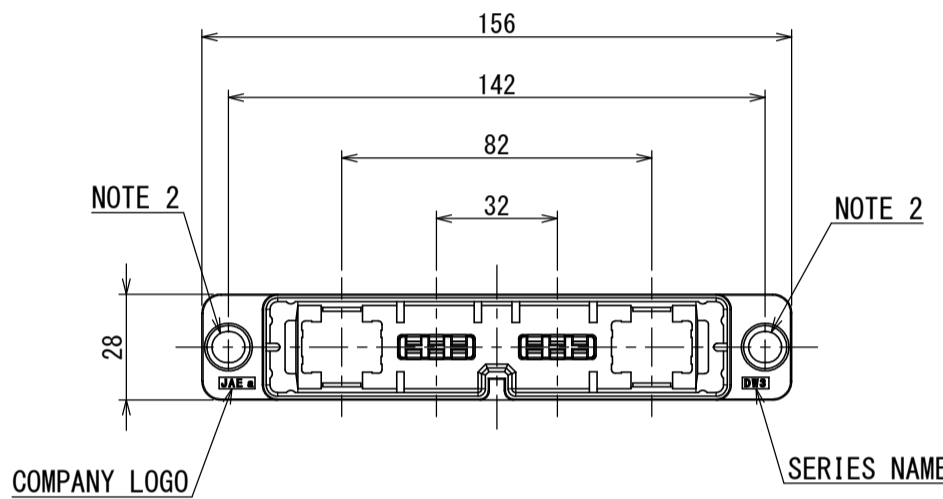


PERSPECTIVE VIEW



A-A
(1 : 2)

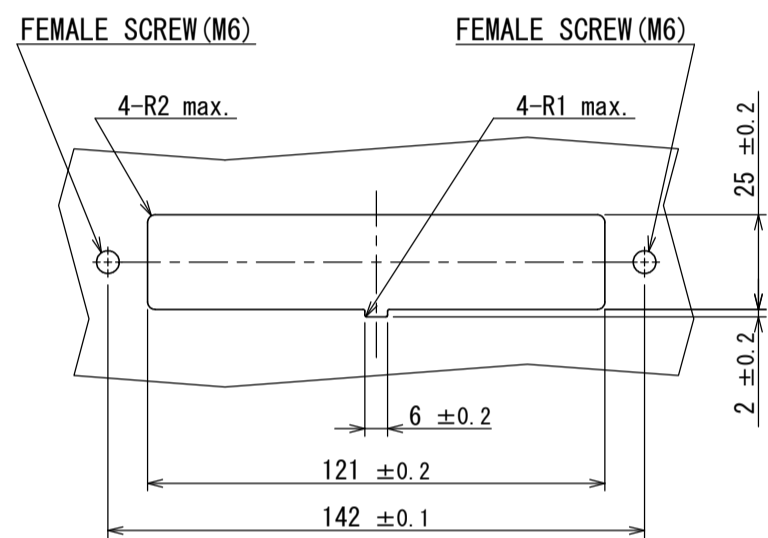
(DEPTH:12)



POLARITY KEY
極性キ

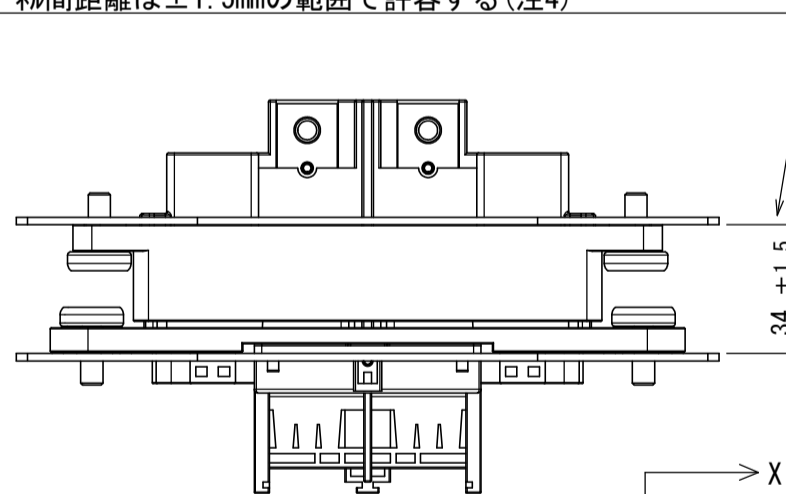
SPACE THAT INSERTS SIGNAL HOUSING B
(PRODUCT NAME:DW3R012B, DWG No. SJ112649)
信号ハウジングB挿入部

SPACE THAT INSERTS SIGNAL HOUSING A
(PRODUCT NAME:DW3R012A, DWG No. SJ112648)
信号ハウジングA挿入部



PANEL DIMENSION (REF.)
(1 : 2)

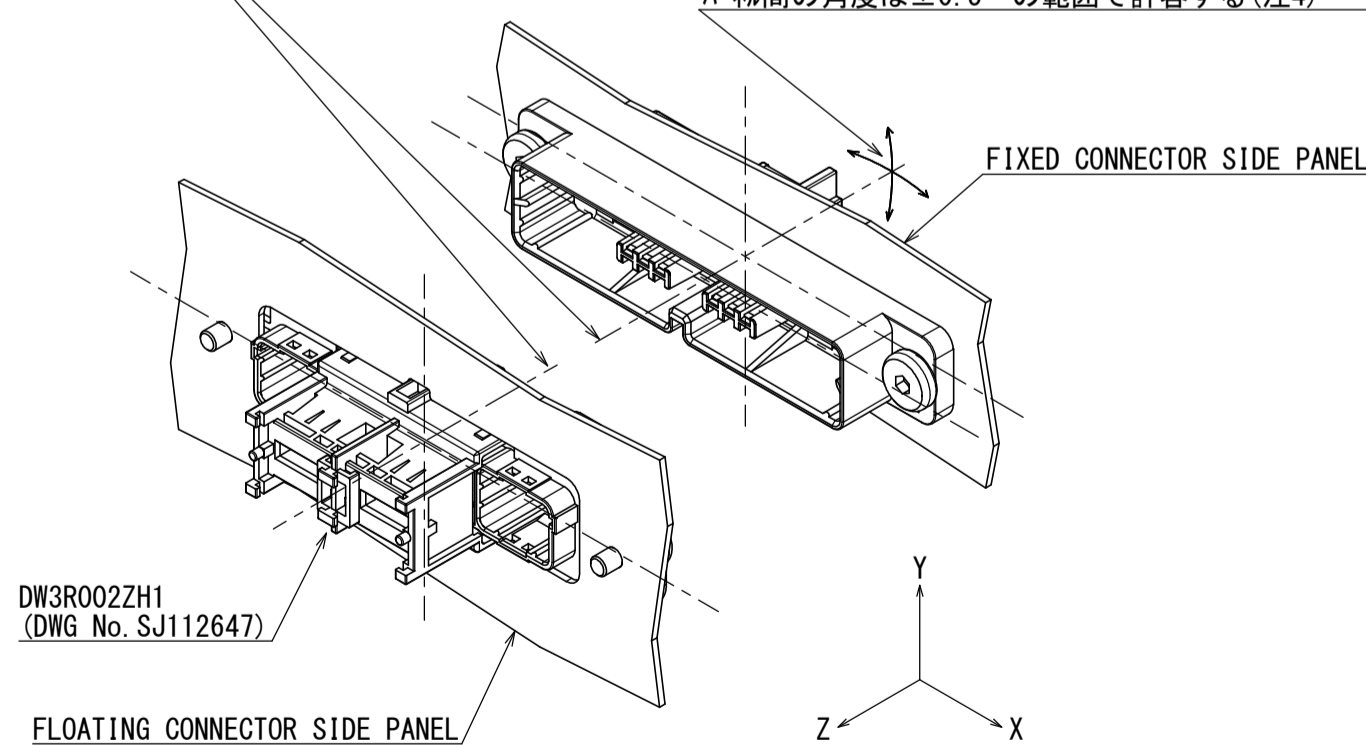
DISTANCE BETWEEN PANELS IS PERMITTED IN ±1.5mm. (NOTE 4)
パネル間距離は±1.5mmの範囲で許容する(注4)



DIMENSION BETWEEN PANELS
(DIRECTION OF Z)

GAP OF THE CENTER POSITION BETWEEN PANELS IS PERMITTED
IN ±2mm IN THE DIRECTION OF X AND Y. (NOTE 4)
パネル間の中心位置のずれはX方向およびY方向に±2mmの範囲で許容する(注4)

ANGLE BETWEEN PANELS IS PERMITTED IN ±0.5°. (NOTE 4)
パネル間の角度は±0.5°の範囲で許容する(注4)



DIMENSION BETWEEN PANELS
(DIRECTION OF X AND Y)

- △ NOTE 1. PRODUCTION LOT NUMBER IS SHOWN AT THIS LOCATION.
- △ NOTE 2. THROUGH HOLE FOR ATTACHMENT SCREW.
USE 'SHOULDER BOLT (DWG No. SJ112654)' OR 'M6 SCREW (WITH WASHER)' FOR ATTACHMENT SCREW.
・TIGHTEN SHOULDER BOLT BY 5.2 [N·m] ± 0.5 [N·m].
・TIGHTEN M6 SCREW BY 2.6 [N·m] ± 0.3 [N·m].
- NOTE 3. POWER SUPPLY TERMINAL CONNECTION POSITION.
TIGHTEN M6 SCREW BY 5.2 [N·m] ± 0.5 [N·m].
- NOTE 4. THE ANGLE BETWEEN PANELS IS NOT INCLINING MORE THAN THE TOLERANCE LEVEL
OF THE POSITION GAPS (X, Y: ±2mm) AND THE DISTANCE (Z: ±1.5mm).

- △ 注1. 図示の位置に製造ロットを表示する。
- △ 注2. 取り付けねじ用貫通穴
取り付けねじには「ショルダ-ボルト(図番: SJ112654)」または「M6ねじ(ワッシャ-付)」を使用のこと。
・ショルダ-ボルト締め付けトルク: 5.2 [N·m] ± 0.5 [N·m].
・M6ねじ締め付けトルク: 2.6 [N·m] ± 0.3 [N·m].
- 注3. 電源端子接続部・M6ねじ締め付けトルク: 5.2 [N·m] ± 0.5 [N·m].
- 注4. パネル間の角度は位置ずれ(X, Y: ±2mm)および距離(Z: ±1.5mm)の許容範囲を超えて傾かないこと。

| 符号 NO. | 名称 DESCRIPTION | 個数 QTY. | 材料 MATERIAL | 仕上 FINISH | 備考 REMARKS |
|-----------|-------------------|------------|-----------------|-------------------------------|---------------|
| 4 | SPRING PIN | 2 | STAINLESS STEEL | - | - |
| 3 | HEXAGON NUT M6 | 2 | BRASS | NICKEL PLATING | - |
| 2 | PIN CONTACT | 2 | COPPER ALLOY | SILVER PLATING LUBRICATING | △ |
| 1 | BASE HOUSING | 1 | PBT | COLOR: BLACK | - |

特別管理品目
SPECIAL CONTROL ITEM
Li電池

| 仕様書 (SPECIFICATION) | 第1版 (ORIGINAL DATE) | 尺度 (SCALE) | シリーズ (SERIES) |
|--------------------------|---------------------------|-----------------|--|
| JACS-30260 JAHL-30260 | 01/JUN/2012 | 1:2 | DW3 |
| 一般公差 (GENERAL TOLERANCE) | 製図 DR. | 名称 (TITLE) | 日本航空電子工業株式会社 |
| 寸法 (DIMENSION) | 担当 CHK. 査閲 APPD. | DW3P002ZH1 | JAE JAPAN AVIATION ELECTRONICS INDUSTRY, LTD. |
| 角法 (ANGLES) | 承認 APPD. | FIXED CONNECTOR | 図面番号 (DRAWING NO.) |
| × ± 0.4 | T. KUDOU | 質量 (MASS) | SJ112646 |
| ×× ± 0.1 | | | 版数 (REV.) |
| ××× ± | | | 3 |