



Chipsmall Limited consists of a professional team with an average of over 10 year of expertise in the distribution of electronic components. Based in Hongkong, we have already established firm and mutual-benefit business relationships with customers from,Europe,America and south Asia,supplying obsolete and hard-to-find components to meet their specific needs.

With the principle of “Quality Parts,Customers Priority,Honest Operation,and Considerate Service”,our business mainly focus on the distribution of electronic components. Line cards we deal with include Microchip,ALPS,ROHM,Xilinx,Pulse,ON,Everlight and Freescale. Main products comprise IC,Modules,Potentiometer,IC Socket,Relay,Connector.Our parts cover such applications as commercial,industrial, and automotives areas.

We are looking forward to setting up business relationship with you and hope to provide you with the best service and solution. Let us make a better world for our industry!



Contact us

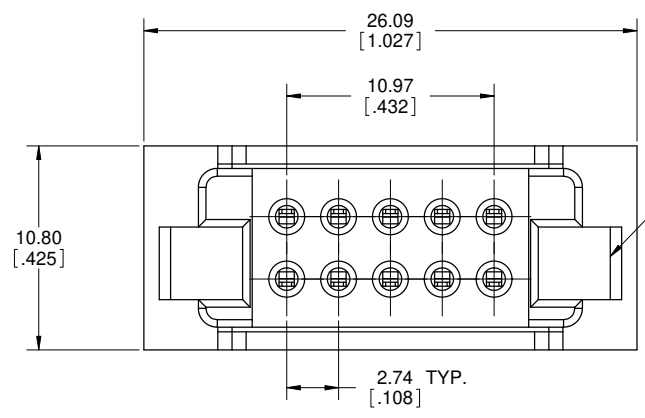
Tel: +86-755-8981 8866 Fax: +86-755-8427 6832

Email & Skype: info@chipsmall.com Web: www.chipsmall.com

Address: A1208, Overseas Decoration Building, #122 Zhenhua RD., Futian, Shenzhen, China



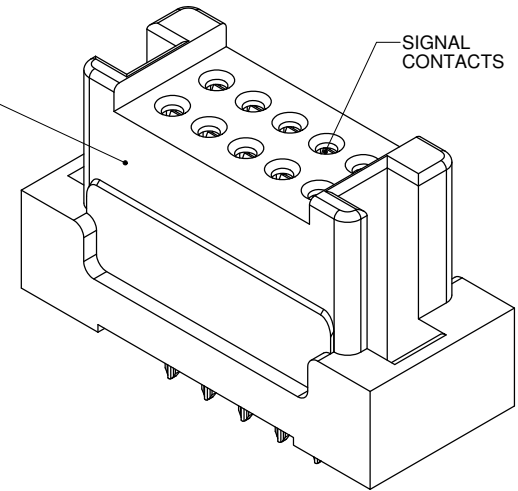
REVISIONS			
REV	DESCRIPTION, ECN, EAR NO.	DATE	APP'D
A	NEW PROPOSAL DWG (EAR 13783)	OCT25/10	K.L.



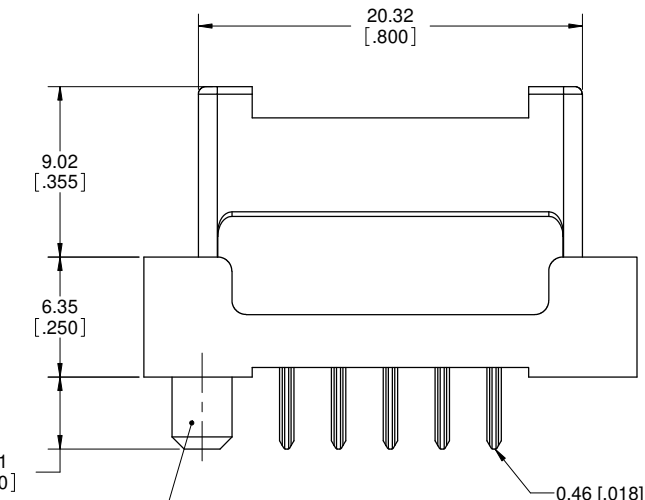
SLOT ACCEPTS PIN CONNECTOR HOUSING BLADE, LOCATED OFF CENTER TO PREVENT IMPROPER MATING

SOCKET HOUSING

SIGNAL CONTACTS

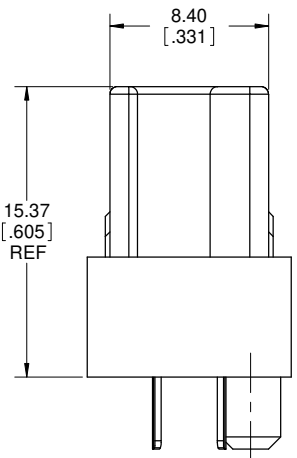


P/N DWR-T010S-V233-01



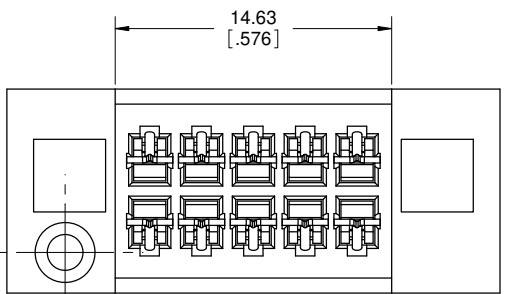
ORIENTATION PEG PREVENTS ASSEMBLY ERRORS

0.46 [.018] x 0.76 [.030] SIGNAL CONTACT TAILS (10 PLACES)



NOTES:

- MATERIALS: ALL MATERIALS ARE RoHS COMPLIANT PER EU DIRECTIVE 2002/95/EC AND AMENDMENTS.
 - HOUSING: HIGH TEMPERATURE RESISTANT NYLON, UL FLAMMABILITY RATING 94V-0, COLOUR BLACK
 - SIGNAL CONTACTS: PHOSPHOR BRONZE PLATED WITH 0.38µm (15µ") GOLD OVER 1.27µm (50µ") NICKEL ON THE MATING AREA AND 2.54µm (100µ") MATTE TIN OVER NICKEL ON THE TAILS.
- WHEN MATED WITH PIN CONNECTOR P/N DWR-T010P-V233-01, THE ORDER OF MECHANICAL AND ELECTRICAL ENGAGEMENT IS A) HOUSING BLADES, B) HOUSING SHROUD, C) SIGNAL CONTACTS.
- RATINGS SUBJECT TO DESIGN QUALIFICATION TESTING
 - CURRENT RATING: 5A SIGNAL
 - DIELECTRIC WITHSTANDING VOLTAGE: 1500VDC
 - INSULATION RESISTANCE: 5000 MEGAOHMS
 - OPERATING TEMPERATURE: -55C TO +105C



UNLESS SPECIFIED OTHERWISE	DRAWN	S.CAELERS	OCT25/10
PRIMARY UNITS MILLIMETERS	CHECKED	K.LAMBIE	OCT25/10
SECONDARY INCHES	M.E. APP'D		
REFERENCE IN PARENTHESES	Q.A. APP'D		
GENERAL TOLERANCES	DWG APPR.		
1 DECIMAL PLACE	ENG. REL. NO.	EAR 13783	
2 DECIMAL PLACES	REF.		
3 DECIMAL PLACES	THIRD ANGLE PROJECTION		
ANGULAR DEGREES	DO NOT SCALE DRAWING		

Amphenol Canada Corp.

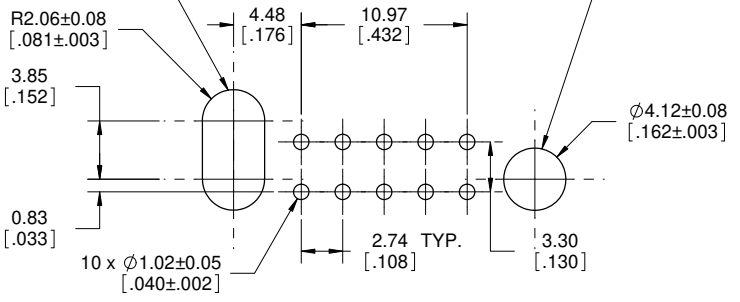
DWR SERIES SLIM DRAWER, 10 SIGNAL SOCKET CONNECTOR, RoHS COMPLIANT

DWG. NO. **P-DWR-T010S-V233-01** REV **A**

CODE ID NO. 03554 DWG SIZE: X SCALE: 5:1 SHEET 1 OF 2

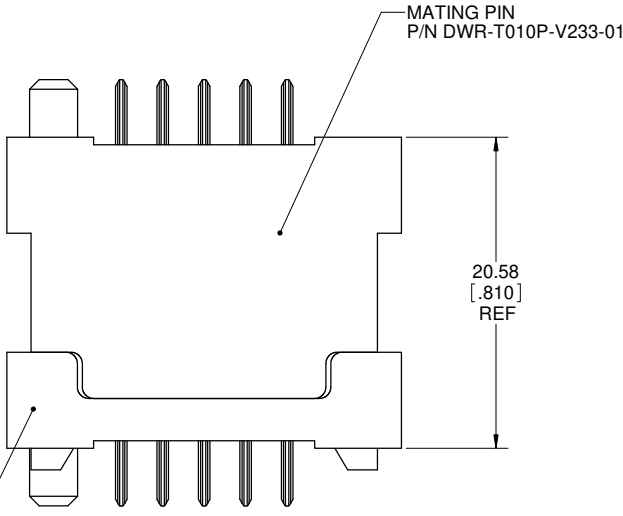
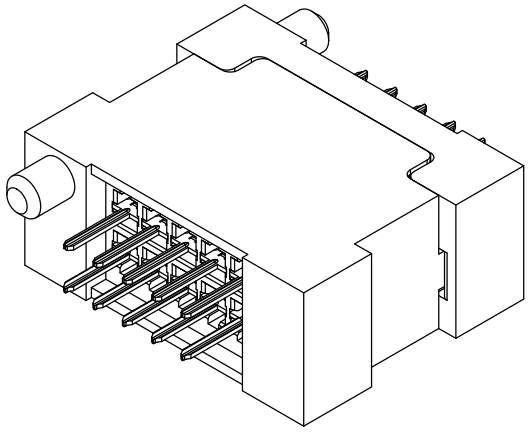
REVISIONS			
REV	DESCRIPTION, ECN, EAR NO.	DATE	APP'D
A	NEW PROPOSAL DWG (EAR 13783)	OCT25/10	K.L.

SLOT & HOLE WILL CLEAR
ORIENTATION PEG & MATING
PIN HOUSING BLADES.
PLATING NOT REQUIRED



LOCATE HOLES
 0.13[.005] DIA
 POSITION DIMENSIONS
 ARE BASIC

RECOMMENDED PCB LAYOUT
COMPONENT SIDE OF BOARD
 SCALE 4:1



MATED ASSEMBLY
SIDE VIEW
 SCALE 4:1



UNLESS SPECIFIED OTHERWISE	DRAWN	S.CAELERS	OCT25/10
PRIMARY UNITS MILLIMETERS	CHECKED	K.LAMBIE	OCT25/10
SECONDARY INCHES	M.E. APP'D		
REFERENCE IN PARENTHESES	Q.A. APP'D		
GENERAL TOLERANCES	DWG APPR.		
1 DECIMAL PLACE	ENG. REL. NO.	EAR 13783	
2 DECIMAL PLACES	REF.		
3 DECIMAL PLACES	THIRD ANGLE PROJECTION		DO NOT SCALE DRAWING
ANGULAR DEGREES			

Amphenol Canada Corp.

DWR SERIES SLIM DRAWER, 10 SIGNAL
 SOCKET CONNECTOR, RoHS COMPLIANT

DWG. NO. **P-DWR-T010S-V233-01** REV **A**

CODE ID NO. 03554 DWG SIZE: X SCALE: 2:1 SHEET 2 OF 2