



Chipsmall Limited consists of a professional team with an average of over 10 year of expertise in the distribution of electronic components. Based in Hongkong, we have already established firm and mutual-benefit business relationships with customers from,Europe,America and south Asia,supplying obsolete and hard-to-find components to meet their specific needs.

With the principle of "Quality Parts,Customers Priority,Honest Operation,and Considerate Service",our business mainly focus on the distribution of electronic components. Line cards we deal with include Microchip,ALPS,ROHM,Xilinx,Pulse,ON,Everlight and Freescale. Main products comprise IC,Modules,Potentiometer,IC Socket,Relay,Connector.Our parts cover such applications as commercial,industrial, and automotives areas.

We are looking forward to setting up business relationship with you and hope to provide you with the best service and solution. Let us make a better world for our industry!



Contact us

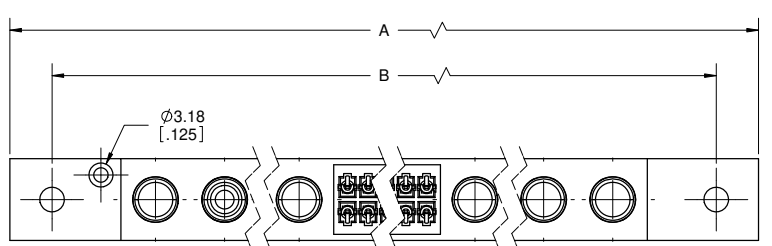
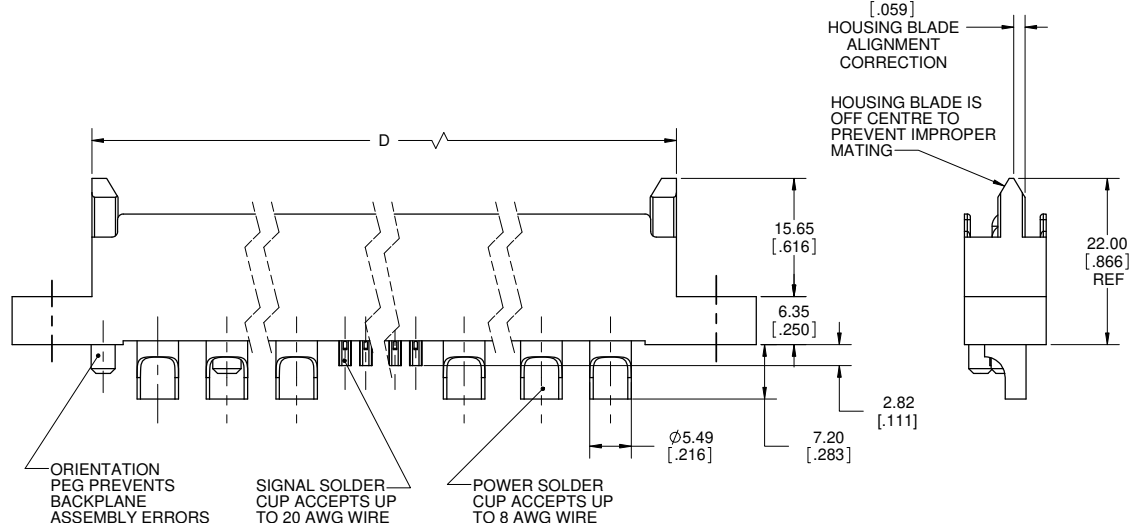
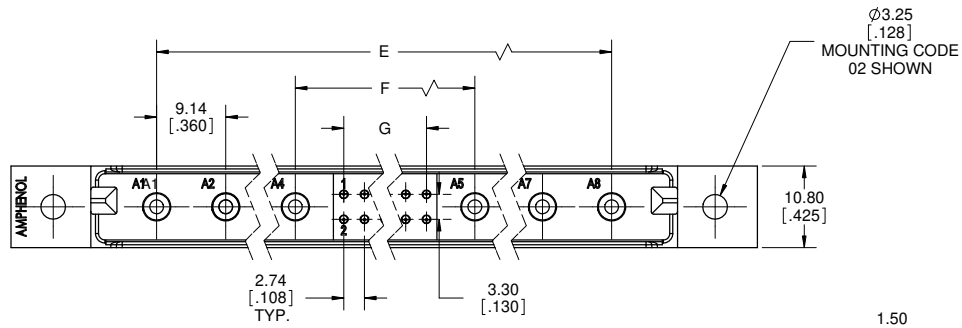
Tel: +86-755-8981 8866 Fax: +86-755-8427 6832

Email & Skype: info@chipsmall.com Web: www.chipsmall.com

Address: A1208, Overseas Decoration Building, #122 Zhenhua RD., Futian, Shenzhen, China



| REVISIONS | | | |
|-----------|------------------------------|----------|-------|
| REV | DESCRIPTION, ECN, EAR NO. | DATE | APP'D |
| B | GUIDE PIN UPDATE (EAR14097) | JUN19/12 | S.M. |
| C | REMOVE 10 PWR CONTACT OPTION | JUL12/12 | S.M. |
| D | ADD UL FILE NUMBER | MAY15/13 | S.M. |



PART NUMBER:

DWR - T X XX P - V X 1 X - 0X

- SERIES**
DWR
- PRODUCT TYPE**
T = SLIMDRAWER FINISHED CONNECTOR
- NUMBER OF POWER CONTACT POSITIONS**
2, 4, 6, 8 OR A = 10
- NUMBER OF SIGNAL CONTACT POSITIONS**
00, 04, 06, 08, 10 ... 40
- GENDER**
P = PIN (MALE)
- ORIENTATION**
V = VERTICAL
- CONTACT OPTIONS**
2 = POWER PIN SIZE CB8 (Ø3.50mm)
3 = POWER PIN SIZE CB10 (Ø3.00mm)
STD SIGNAL
- CONTACT TERMINATION**
1 = SOLDER CUP TAILS: POWER 8 AWG, SIGNAL 20 AWG
- PLATING OPTIONS**
2 = 0.38µm [15µ"] GOLD
3 = 0.76µm [30µ"] GOLD
6 = 5.08µm [200µ"] SILVER POWER, 0.38µm [15µ"] GOLD SIGNAL
- MOUNTING OPTION**
00 = NO MOUNTING FEATURE
01 = NO MOUNTING EARS
02 = 3.25mm [.128"] DIA THROUGH HOLE
04 = #4-40 THREADED HOLE
06 = M3 THREADED HOLE
08 = GUIDE PINS

SPECIAL CONFIGURATIONS
MANY UNIQUE FEATURES ARE READILY AVAILABLE TO SUIT CUSTOMER REQUIREMENTS. CONSULT AUTHORIZED AMPHENOL REPRESENTATIVE FOR DETAILS.

NOTES:

- MATERIALS:** ALL MATERIALS ARE RoHS COMPLIANT PER EU DIRECTIVE 2011/65/EU AND AMENDMENTS
 - HOUSING: HIGH TEMPERATURE RESISTANT NYLON, UL FLAMMABILITY RATING 94V-0, COLOUR BLACK
 - SIGNAL CONTACTS: PHOSPHOR BRONZE PLATED WITH GOLD OVER 1.27µm (50µ") NICKEL ON THE MATING AREA AND 2.54µm (100µ") MATTE TIN OVER NICKEL ON THE TAILS.
 - POWER CONTACTS: COPPER ALLOY PLATED WITH GOLD OR SILVER OVER 1.27µm (50µ") MIN NICKEL
- WHEN MATED WITH SOCKET CONNECTOR DWR-TXXXS-VXXX-XX, THE ORDER OF MECHANICAL AND ELECTRICAL ENGAGEMENT IS A) HOUSING BLADES, B) HOUSING SHROUD, C) POWER CONTACTS AND D) SIGNAL CONTACTS.
- ELECTRICAL CHARACTERISTICS**
 - CURRENT RATING: UP TO 55A POWER, 4A SIGNAL
 - INSULATION RESISTANCE: 5000 MEGAOHMS
 - DIELECTRIC WITHSTANDING VOLTAGE: 1500V DC
 - OPERATING TEMPERATURE: -55°C TO +105°C
- UL FILE NUMBER: E64911



| | | | |
|----------------------------|------------------------|-----------|----------|
| UNLESS SPECIFIED OTHERWISE | DRAWN | S.CAELERS | APR06/11 |
| PRIMARY UNITS MILLIMETERS | CHECKED | A.GREEN | APR11/11 |
| SECONDARY INCHES | M.E. APP'D | | |
| REFERENCE IN PARENTHESES | Q.A. APP'D | | |
| GENERAL TOLERANCES | DWG APPR. | | |
| 1 DECIMAL PLACE | ENG. REL. NO. | | |
| 2 DECIMAL PLACES | REF. | | |
| 3 DECIMAL PLACES | THIRD ANGLE PROJECTION | | |
| ANGULAR DEGREES | DO NOT SCALE DRAWING | | |

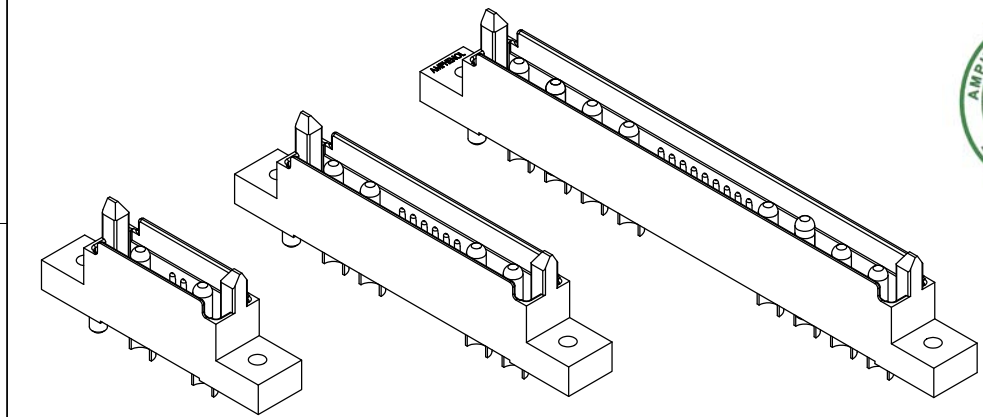
Amphenol Canada Corp.

DWR SERIES SLIM DRAWER PIN CONNECTOR, PIN & SIGNAL CONTACTS, SOLDER CUP TAILS (POWER: 8 AWG, SIGNAL: 20 AWG), RoHS COMPLIANT

| | |
|----------------------------|--------------|
| DWG. NO. | REV |
| P-DWR-TXXXP-VX1X-0X | D |
| CODE ID NO. 03554 | DWG SIZE: C |
| SCALE: 2:1 | SHEET 1 OF 2 |

| Pin Connector Part number | Number of Power Contacts | Number of Signal Contacts | "A" | | "B" | | "C" | | "D" | | "E" | | "F" | | "G" | |
|---------------------------|--------------------------|---------------------------|----------------|-------|---------------------------|-------|------------------------------|-------|-----------------|-------|---------------------------|-------|--------------------------|-------|----------------------------|-------|
| | | | Overall Length | | Mounting Hole Centrelines | | Length Without Mounting Ears | | Pin Body Length | | Outside Power Centrelines | | Inside Power Centrelines | | Outside Signal Centrelines | |
| | | | mm | inch | mm | inch | mm | inch | mm | inch | mm | inch | mm | inch | mm | inch |
| DWR-T200P-VXXX-XX | 2 | 0 | 47.70 | 1.878 | 36.53 | 1.438 | 29.75 | 1.171 | 26.57 | 1.046 | 9.14 | 0.360 | 9.14 | 0.360 | --- | --- |
| DWR-T204P-VXXX-XX | 2 | 4 | 54.10 | 2.130 | 42.93 | 1.690 | 36.15 | 1.423 | 32.97 | 1.298 | 15.54 | 0.612 | 15.54 | 0.612 | 2.74 | 0.108 |
| DWR-T208P-VXXX-XX | 2 | 8 | 59.59 | 2.346 | 48.41 | 1.906 | 41.63 | 1.639 | 38.46 | 1.514 | 21.03 | 0.828 | 21.03 | 0.828 | 8.23 | 0.324 |
| DWR-T212P-VXXX-XX | 2 | 12 | 65.07 | 2.562 | 53.90 | 2.122 | 47.12 | 1.855 | 43.94 | 1.730 | 26.52 | 1.044 | 26.52 | 1.044 | 13.72 | 0.540 |
| DWR-T216P-VXXX-XX | 2 | 16 | 70.56 | 2.778 | 59.39 | 2.338 | 52.61 | 2.071 | 49.43 | 1.946 | 32.00 | 1.260 | 32.00 | 1.260 | 19.20 | 0.756 |
| DWR-T220P-VXXX-XX | 2 | 20 | 76.05 | 2.994 | 64.87 | 2.554 | 58.09 | 2.287 | 54.91 | 2.162 | 37.49 | 1.476 | 37.49 | 1.476 | 24.69 | 0.972 |
| DWR-T224P-VXXX-XX | 2 | 24 | 81.53 | 3.210 | 70.36 | 2.770 | 63.58 | 2.503 | 60.40 | 2.378 | 42.98 | 1.692 | 42.98 | 1.692 | 30.18 | 1.188 |
| DWR-T228P-VXXX-XX | 2 | 28 | 87.02 | 3.426 | 75.84 | 2.986 | 69.06 | 2.719 | 65.89 | 2.594 | 48.46 | 1.908 | 48.46 | 1.908 | 35.66 | 1.404 |
| DWR-T232P-VXXX-XX | 2 | 32 | 92.51 | 3.642 | 81.33 | 3.202 | 74.55 | 2.935 | 71.37 | 2.810 | 53.95 | 2.124 | 53.95 | 2.124 | 41.15 | 1.620 |
| DWR-T236P-VXXX-XX | 2 | 36 | 97.99 | 3.858 | 86.82 | 3.418 | 80.04 | 3.151 | 76.86 | 3.026 | 59.44 | 2.340 | 59.44 | 2.340 | 46.63 | 1.836 |
| DWR-T240P-VXXX-XX | 2 | 40 | 103.48 | 4.074 | 92.30 | 3.634 | 85.52 | 3.367 | 82.35 | 3.242 | 64.92 | 2.556 | 64.92 | 2.556 | 52.12 | 2.052 |
| DWR-T400P-VXXX-XX | 4 | 0 | 65.99 | 2.598 | 54.81 | 2.158 | 48.03 | 1.891 | 44.86 | 1.766 | 27.43 | 1.080 | 9.14 | 0.360 | --- | --- |
| DWR-T404P-VXXX-XX | 4 | 4 | 72.39 | 2.850 | 61.21 | 2.410 | 54.43 | 2.143 | 51.26 | 2.018 | 33.83 | 1.332 | 15.54 | 0.612 | 2.74 | 0.108 |
| DWR-T408P-VXXX-XX | 4 | 8 | 77.88 | 3.066 | 66.70 | 2.626 | 59.92 | 2.359 | 56.74 | 2.234 | 39.32 | 1.548 | 21.03 | 0.828 | 8.23 | 0.324 |
| DWR-T412P-VXXX-XX | 4 | 12 | 83.36 | 3.282 | 72.19 | 2.842 | 65.41 | 2.575 | 62.23 | 2.450 | 44.81 | 1.764 | 26.52 | 1.044 | 13.72 | 0.540 |
| DWR-T416P-VXXX-XX | 4 | 16 | 88.85 | 3.498 | 77.67 | 3.058 | 70.89 | 2.791 | 67.72 | 2.666 | 50.29 | 1.980 | 32.00 | 1.260 | 19.20 | 0.756 |
| DWR-T420P-VXXX-XX | 4 | 20 | 94.34 | 3.714 | 83.16 | 3.274 | 76.38 | 3.007 | 73.20 | 2.882 | 55.78 | 2.196 | 37.49 | 1.476 | 24.69 | 0.972 |
| DWR-T424P-VXXX-XX | 4 | 24 | 99.82 | 3.930 | 88.65 | 3.490 | 81.87 | 3.223 | 78.69 | 3.098 | 61.26 | 2.412 | 42.98 | 1.692 | 30.18 | 1.188 |
| DWR-T428P-VXXX-XX | 4 | 28 | 105.31 | 4.146 | 94.13 | 3.706 | 87.35 | 3.439 | 84.18 | 3.314 | 66.75 | 2.628 | 48.46 | 1.908 | 35.66 | 1.404 |
| DWR-T432P-VXXX-XX | 4 | 32 | 110.79 | 4.362 | 99.62 | 3.922 | 92.84 | 3.655 | 89.66 | 3.530 | 72.24 | 2.844 | 53.95 | 2.124 | 41.15 | 1.620 |
| DWR-T436P-VXXX-XX | 4 | 36 | 116.28 | 4.578 | 105.11 | 4.138 | 98.33 | 3.871 | 95.15 | 3.746 | 77.72 | 3.060 | 59.44 | 2.340 | 46.63 | 1.836 |
| DWR-T440P-VXXX-XX | 4 | 40 | 121.77 | 4.794 | 110.59 | 4.354 | 103.81 | 4.087 | 100.63 | 3.962 | 83.21 | 3.276 | 64.92 | 2.556 | 52.12 | 2.052 |
| DWR-T600P-VXXX-XX | 6 | 0 | 84.28 | 3.318 | 73.10 | 2.878 | 66.32 | 2.611 | 63.14 | 2.486 | 45.72 | 1.800 | 9.14 | 0.360 | --- | --- |
| DWR-T604P-VXXX-XX | 6 | 4 | 90.68 | 3.570 | 79.50 | 3.130 | 72.72 | 2.863 | 69.55 | 2.738 | 52.12 | 2.052 | 15.54 | 0.612 | 2.74 | 0.108 |
| DWR-T608P-VXXX-XX | 6 | 8 | 96.16 | 3.786 | 84.99 | 3.346 | 78.21 | 3.079 | 75.03 | 2.954 | 57.61 | 2.268 | 21.03 | 0.828 | 8.23 | 0.324 |
| DWR-T612P-VXXX-XX | 6 | 12 | 101.65 | 4.002 | 90.47 | 3.562 | 83.69 | 3.295 | 80.52 | 3.170 | 63.09 | 2.484 | 26.52 | 1.044 | 13.72 | 0.540 |
| DWR-T616P-VXXX-XX | 6 | 16 | 107.14 | 4.218 | 95.96 | 3.778 | 89.18 | 3.511 | 86.00 | 3.386 | 68.58 | 2.700 | 32.00 | 1.260 | 19.20 | 0.756 |
| DWR-T620P-VXXX-XX | 6 | 20 | 112.62 | 4.434 | 101.45 | 3.994 | 94.67 | 3.727 | 91.49 | 3.602 | 74.07 | 2.916 | 37.49 | 1.476 | 24.69 | 0.972 |
| DWR-T624P-VXXX-XX | 6 | 24 | 118.11 | 4.650 | 106.93 | 4.210 | 100.15 | 3.943 | 96.98 | 3.818 | 79.55 | 3.132 | 42.98 | 1.692 | 30.18 | 1.188 |
| DWR-T628P-VXXX-XX | 6 | 28 | 123.60 | 4.866 | 112.42 | 4.426 | 105.64 | 4.159 | 102.46 | 4.034 | 85.04 | 3.348 | 48.46 | 1.908 | 35.66 | 1.404 |
| DWR-T632P-VXXX-XX | 6 | 32 | 129.08 | 5.082 | 117.91 | 4.642 | 111.13 | 4.375 | 107.95 | 4.250 | 90.53 | 3.564 | 53.95 | 2.124 | 41.15 | 1.620 |
| DWR-T636P-VXXX-XX | 6 | 36 | 134.57 | 5.298 | 123.39 | 4.858 | 116.61 | 4.591 | 113.44 | 4.466 | 96.01 | 3.780 | 59.44 | 2.340 | 46.63 | 1.836 |
| DWR-T640P-VXXX-XX | 6 | 40 | 140.06 | 5.514 | 128.88 | 5.074 | 122.10 | 4.807 | 118.92 | 4.682 | 101.50 | 3.996 | 64.92 | 2.556 | 52.12 | 2.052 |
| DWR-T800P-VXXX-XX | 8 | 0 | 102.57 | 4.038 | 91.39 | 3.598 | 84.61 | 3.331 | 81.43 | 3.206 | 64.01 | 2.520 | 9.14 | 0.360 | --- | --- |
| DWR-T804P-VXXX-XX | 8 | 4 | 108.97 | 4.290 | 97.79 | 3.850 | 91.01 | 3.583 | 87.83 | 3.458 | 70.41 | 2.772 | 15.54 | 0.612 | 2.74 | 0.108 |
| DWR-T808P-VXXX-XX | 8 | 8 | 114.45 | 4.506 | 103.28 | 4.066 | 96.50 | 3.799 | 93.32 | 3.674 | 75.90 | 2.988 | 21.03 | 0.828 | 8.23 | 0.324 |
| DWR-T812P-VXXX-XX | 8 | 12 | 119.94 | 4.722 | 108.76 | 4.282 | 101.98 | 4.015 | 98.81 | 3.890 | 81.38 | 3.204 | 26.52 | 1.044 | 13.72 | 0.540 |
| DWR-T816P-VXXX-XX | 8 | 16 | 125.43 | 4.938 | 114.25 | 4.498 | 107.47 | 4.231 | 104.29 | 4.106 | 86.87 | 3.420 | 32.00 | 1.260 | 19.20 | 0.756 |
| DWR-T820P-VXXX-XX | 8 | 20 | 130.91 | 5.154 | 119.74 | 4.714 | 112.96 | 4.447 | 109.78 | 4.322 | 92.35 | 3.636 | 37.49 | 1.476 | 24.69 | 0.972 |
| DWR-T824P-VXXX-XX | 8 | 24 | 136.40 | 5.370 | 125.22 | 4.930 | 118.44 | 4.663 | 115.27 | 4.538 | 97.84 | 3.852 | 42.98 | 1.692 | 30.18 | 1.188 |
| DWR-T828P-VXXX-XX | 8 | 28 | 141.88 | 5.586 | 130.71 | 5.146 | 123.93 | 4.879 | 120.75 | 4.754 | 103.33 | 4.068 | 48.46 | 1.908 | 35.66 | 1.404 |
| DWR-T832P-VXXX-XX | 8 | 32 | 147.37 | 5.802 | 136.19 | 5.362 | 129.41 | 5.095 | 126.24 | 4.970 | 108.81 | 4.284 | 53.95 | 2.124 | 41.15 | 1.620 |
| DWR-T836P-VXXX-XX | 8 | 36 | 152.86 | 6.018 | 141.68 | 5.578 | 134.90 | 5.311 | 131.72 | 5.186 | 114.30 | 4.500 | 59.44 | 2.340 | 46.63 | 1.836 |
| DWR-T840P-VXXX-XX | 8 | 40 | 158.34 | 6.234 | 147.17 | 5.794 | 140.39 | 5.527 | 137.21 | 5.402 | 119.79 | 4.716 | 64.92 | 2.556 | 52.12 | 2.052 |

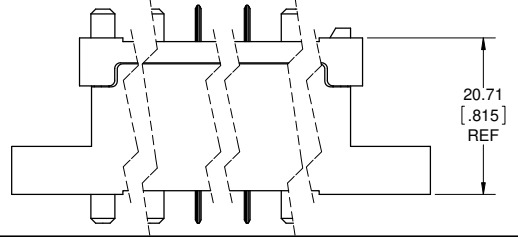
FOR INTERMEDIATE CONFIGURATIONS (NUMBER OF SIGNAL CONTACTS = 06, 10, 14, ...) DIMENSIONS CAN BE CALCULATED BY AVERAGING VALUES IMMEDIATELY BEFORE AND AFTER. FOR EXAMPLE, DIMENSIONS OF DWR-T206P-VXXX-XX CAN BE OBTAINED BY AVERAGING VALUES CORRESPONDING TO DWR-T204P-VXXX-XX AND DWR-T208P-VXXX-XX.



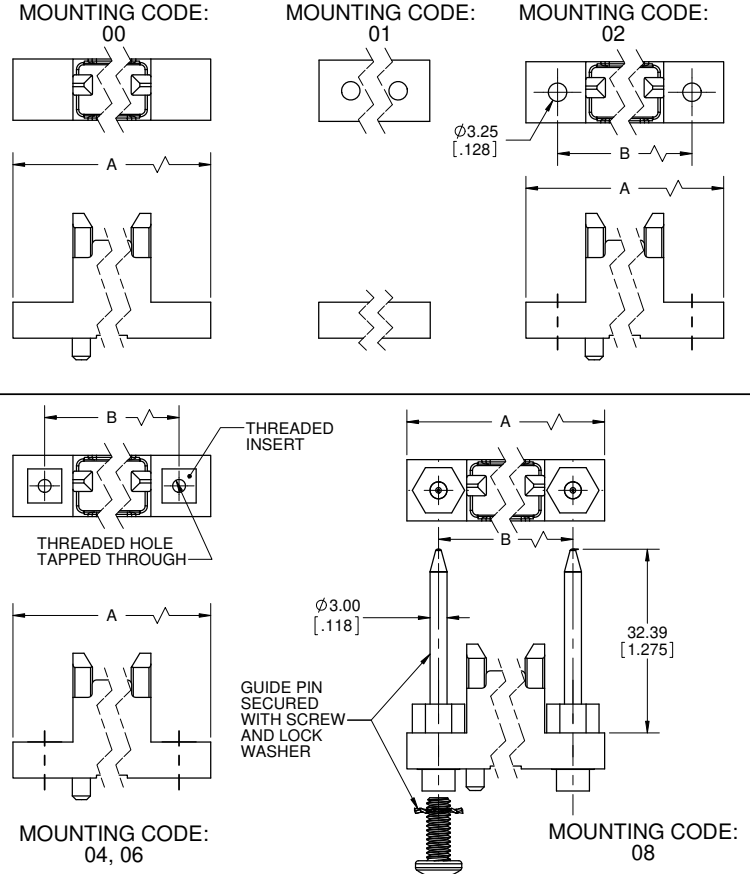
THIS DOCUMENT CONTAINS PROPRIETARY INFORMATION AND SUCH INFORMATION MAY NOT BE DISCLOSED TO OTHERS FOR ANY PURPOSE OR USED FOR MANUFACTURING PURPOSES WITHOUT WRITTEN PERMISSION FROM AMPHENOL CANADA CORP.

| REVISONS | | | |
|----------|------------------------------|----------|-------|
| REV | DESCRIPTION, ECN, EAR NO. | DATE | APP'D |
| B | GUIDE PIN UPDATE (EAR14097) | JUN19/12 | S.M. |
| C | REMOVE 10 PWR CONTACT OPTION | JUL12/12 | S.M. |
| D | ADD UL FILE NUMBER | MAY15/13 | S.M. |

PIN AND SOCKET MATED ASSEMBLY



MOUNTING OPTIONS



| | | | |
|----------------------------|------------------------|-----------|----------|
| UNLESS SPECIFIED OTHERWISE | DRAWN | S.CAELERS | APR06/11 |
| PRIMARY UNITS MILLIMETERS | CHECKED | A.GREEN | APR11/11 |
| SECONDARY UNITS INCHES | M.E. APP'D | | |
| REFERENCE IN PARENTHESES | Q.A. APP'D | | |
| GENERAL TOLERANCES | DWG APPR. | | |
| 1 DECIMAL PLACE | ENG. REL. NO. | | |
| 2 DECIMAL PLACES | REF. | | |
| 3 DECIMAL PLACES | THIRD ANGLE PROJECTION | | |
| ANGULAR DEGREES | DO NOT SCALE DRAWING | | |

Amphenol Canada Corp.

DWR SERIES SLIM DRAWER PIN CONNECTOR, PIN & SIGNAL CONTACTS, SOLDER CUP TAILS (POWER: 8 AWG, SIGNAL: 20 AWG), RoHS COMPLIANT

DWG. NO. **P-DWR-TXXXP-VX1X-0X** REV **D**

CODE ID NO. 03554 DWG SIZE: C SCALE: 2:1 SHEET 2 OF 2