



Chipsmall Limited consists of a professional team with an average of over 10 year of expertise in the distribution of electronic components. Based in Hongkong, we have already established firm and mutual-benefit business relationships with customers from,Europe,America and south Asia,supplying obsolete and hard-to-find components to meet their specific needs.

With the principle of “Quality Parts,Customers Priority,Honest Operation,and Considerate Service”,our business mainly focus on the distribution of electronic components. Line cards we deal with include Microchip,ALPS,ROHM,Xilinx,Pulse,ON,Everlight and Freescale. Main products comprise IC,Modules,Potentiometer,IC Socket,Relay,Connector.Our parts cover such applications as commercial,industrial, and automotives areas.

We are looking forward to setting up business relationship with you and hope to provide you with the best service and solution. Let us make a better world for our industry!



## Contact us

Tel: +86-755-8981 8866 Fax: +86-755-8427 6832

Email & Skype: info@chipsmall.com Web: www.chipsmall.com

Address: A1208, Overseas Decoration Building, #122 Zhenhua RD., Futian, Shenzhen, China



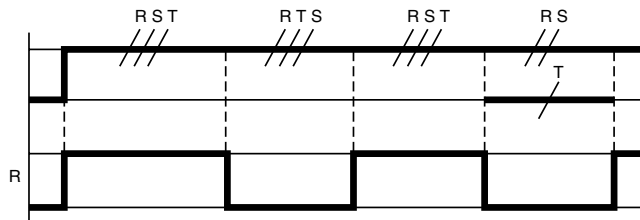
# WRA SERIES PHASE CONTROL RELAY

UL listed CSA recognized (220 VAC Version Only)



- **Monitors**  
**Phase Sequence**  
**Loss of Any Phase even if Induced Voltage reaches 95% of Nominal Voltage**
- **LED Relay Status Indicator**
- **SPDT 10 Amp Relay Output**

**MODE OF OPERATION:**



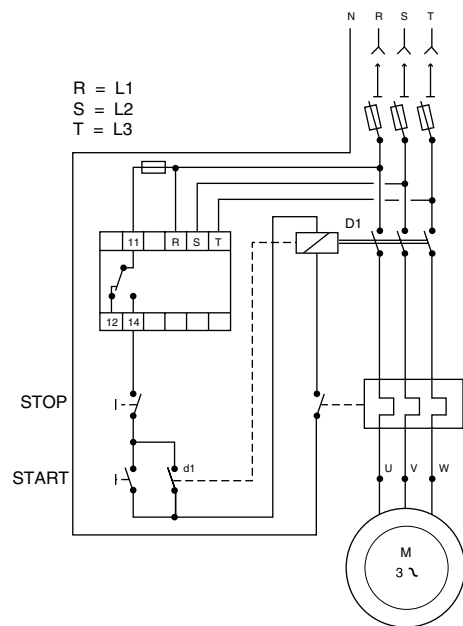
The WRL Phase Control Relay monitors the sequence loss or reversal of three phase power supplies. The output relay is energized when the phase sequence is correct and is de-energize when the phase sequence is wrong or one phase is lost. It monitors the symmetry of 3 voltages and a loss of phase even when the voltage is reinjected through a machine. The rate of asymmetry is controlled between 5% and 15% by a top mounted potentiometer.

**SPECIFICATIONS:**

<b>Input Power Directly</b>	3 x 220 60 Hz	
<b>from controlled voltage ±15%</b>	3 x 380 60 Hz	
	3 x 440 60 Hz	
<b>Power consumption</b>	3 VA at 220 V	
<b>Output</b>	SPDT relay	
<b>Contact material</b>	AgCdO	
<b>Maximum Loading</b>	10 AC resistive	8A DC inductive
<b>Maximum switching voltage</b>	250 VAC	250 VDC
<b>Relay max. power rating</b>	220 VA	80 W
<b>Mechanical life of relay</b>	30 x 10 <sup>6</sup> operations	
<b>Electrical life of relay</b>	2 x 10 <sup>5</sup> operations at 2200VA resistive load	
<b>Operating temperature</b>	+14°F to +140°F	-10°C to +60°C
<b>Weight</b>	7 oz. (200g)	

**Note:** The alarm threshold adjustment is 5% to 15% of asymmetry between the phases. The initial response time is .1 seconds at 5% asymmetry and 1 second at 15% after input power is applied. When a phase loss or failure occurs, the "off delay" response time is 100 ms.

**WIRING DIAGRAM:**



DWRA	11	12	14	R	S	T
LWRA	1	4	3	5	6	7
PWRA	1	2	8	3	4	5

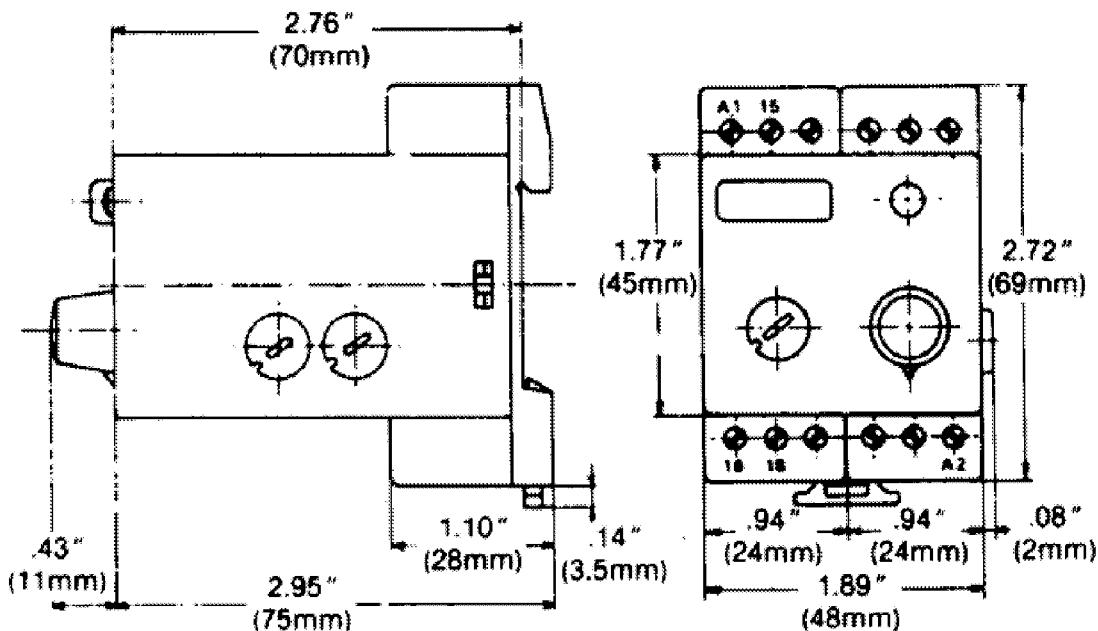
**ORDERING INFORMATION:**



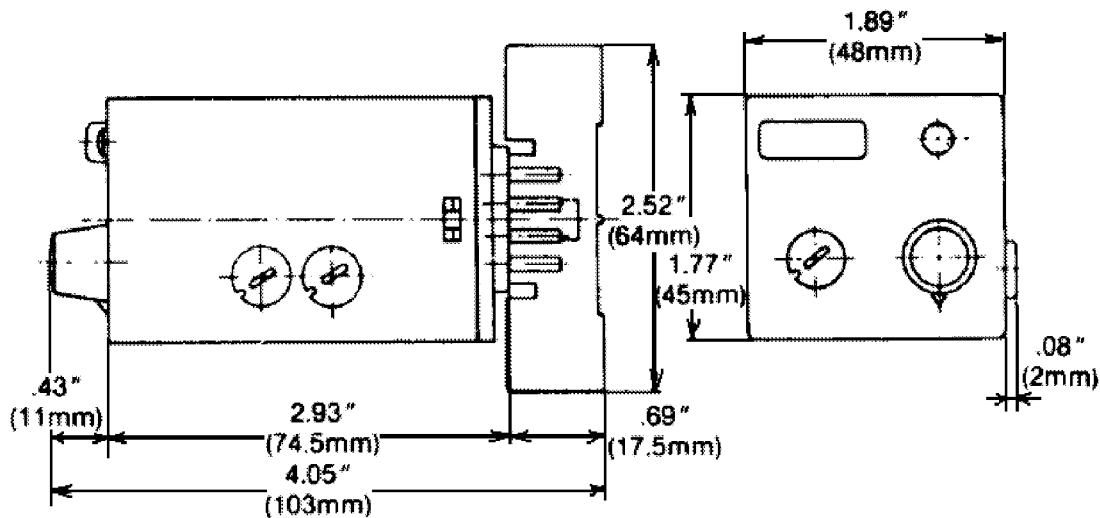
Products and specifications subject to change without notice.  
Consult factory for application assistance.

DIMENSIONS:

D - DIN-Rail



L & P - Sockets



Products and specifications subject to change without notice.  
Consult factory for application assistance.