



Chipsmall Limited consists of a professional team with an average of over 10 year of expertise in the distribution of electronic components. Based in Hongkong, we have already established firm and mutual-benefit business relationships with customers from,Europe,America and south Asia,supplying obsolete and hard-to-find components to meet their specific needs.

With the principle of "Quality Parts,Customers Priority,Honest Operation,and Considerate Service",our business mainly focus on the distribution of electronic components. Line cards we deal with include Microchip,ALPS,ROHM,Xilinx,Pulse,ON,Everlight and Freescale. Main products comprise IC,Modules,Potentiometer,IC Socket,Relay,Connector.Our parts cover such applications as commercial,industrial, and automotives areas.

We are looking forward to setting up business relationship with you and hope to provide you with the best service and solution. Let us make a better world for our industry!



## Contact us

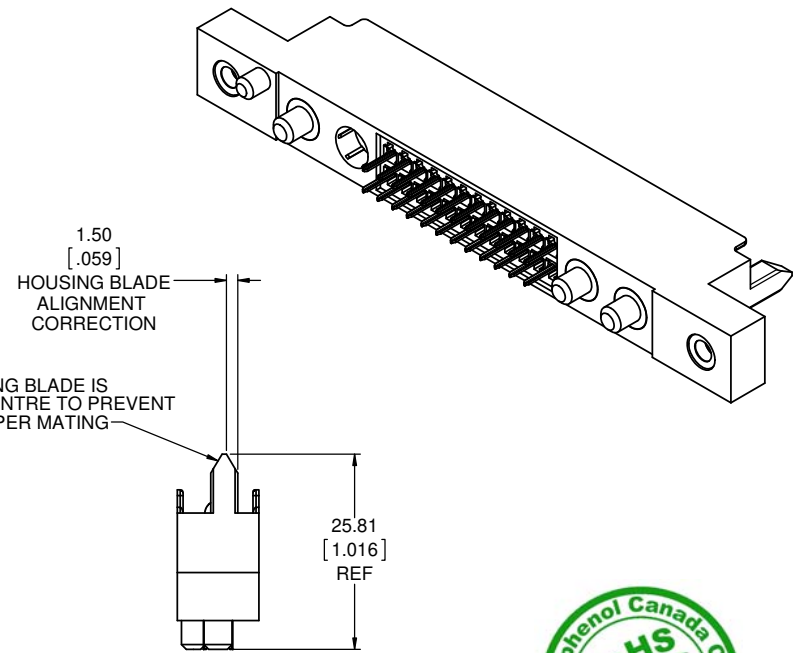
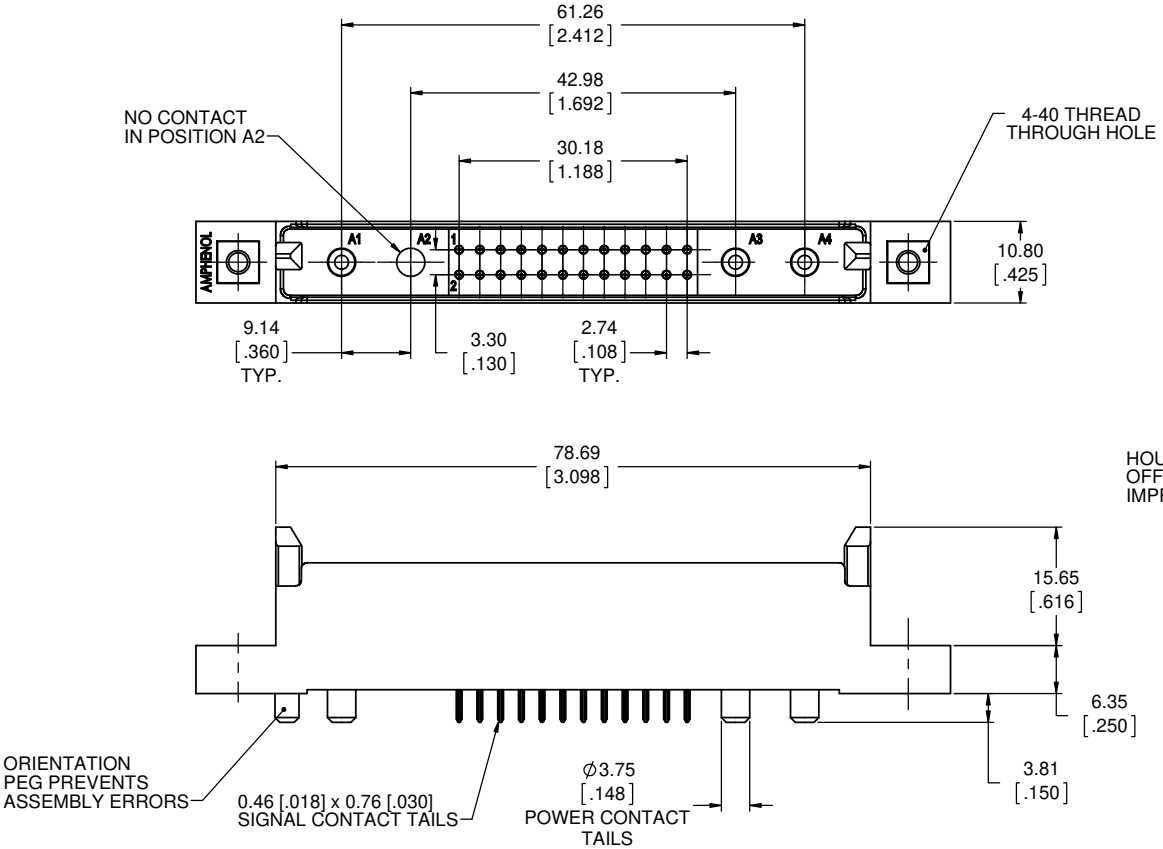
Tel: +86-755-8981 8866 Fax: +86-755-8427 6832

Email & Skype: info@chipsmall.com Web: www.chipsmall.com

Address: A1208, Overseas Decoration Building, #122 Zhenhua RD., Futian, Shenzhen, China

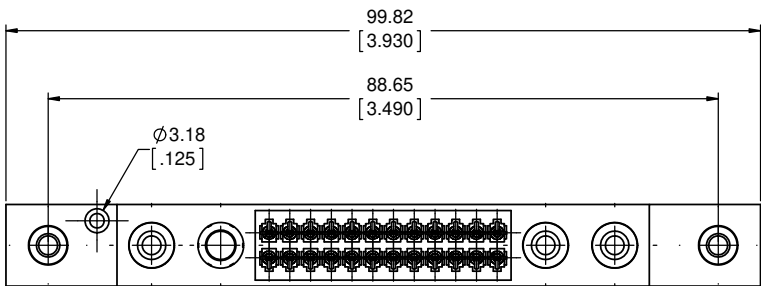


| REVISIONS |                              |          |       |
|-----------|------------------------------|----------|-------|
| REV       | DESCRIPTION, ECN, EAR NO.    | DATE     | APP'D |
| A         | PROPOSAL DRAWING (EAR 14107) | AUG01/12 | K.L.  |



NOTES:

- MATERIALS: ALL MATERIALS ARE RoHS COMPLIANT PER EU DIRECTIVE 2002/95/EC AND AMENDMENTS.
  - HOUSING: HIGH TEMPERATURE RESISTANT NYLON, UL FLAMMABILITY RATING 94V-0, COLOUR BLACK
  - POWER CONTACTS: COPPER ALLOY PLATED WITH 5.08µm(200µ") SILVER OVER 1.27µm (50µ") MIN NICKEL
  - SIGNAL CONTACTS: PHOSPHOR BRONZE PLATED WITH 0.38µm (15µ") GOLD OVER NICKEL ON THE MATING AREA AND 2.54µm (100µ") MATTE TIN OVER NICKEL ON THE TAILS.
- WHEN MATED WITH SOCKET CONNECTOR P/N DWR-T424S-V236-90, THE ORDER OF MECHANICAL AND ELECTRICAL ENGAGEMENT IS A) HOUSING BLADES, B) HOUSING SHROUD, C) POWER CONTACTS, D) SIGNAL CONTACTS
- ELECTRICAL CHARACTERISTICS
  - CURRENT RATING: 55A PER CONTACT, 5A SIGNAL
  - DIELECTRIC WITHSTANDING VOLTAGE: 1500VDC
  - INSULATION RESISTANCE: 5000 MEGOHMS
  - OPERATING TEMPERATURE: -55C TO +105C



AMPHENOL PART NUMBER: DWR-T424P-V236-90

|                            |                        |                      |
|----------------------------|------------------------|----------------------|
| UNLESS SPECIFIED OTHERWISE | DRAWN J.VANDERWINDT    | JUL31/12             |
| PRIMARY UNITS MILLIMETERS  | CHECKED K.LAMBIE       | AUG01/12             |
| SECONDARY INCHES           | M.E. APP'D             |                      |
| REFERENCE IN PARENTHESES   | Q.A. APP'D             |                      |
| GENERAL TOLERANCES         | DWG APPR.              |                      |
| 1 DECIMAL PLACE            | ENG. REL. NO.          | EAR 14107            |
| 2 DECIMAL PLACES           | REF.                   |                      |
| 3 DECIMAL PLACES           | THIRD ANGLE PROJECTION | DO NOT SCALE DRAWING |
| ANGULAR DEGREES            |                        |                      |

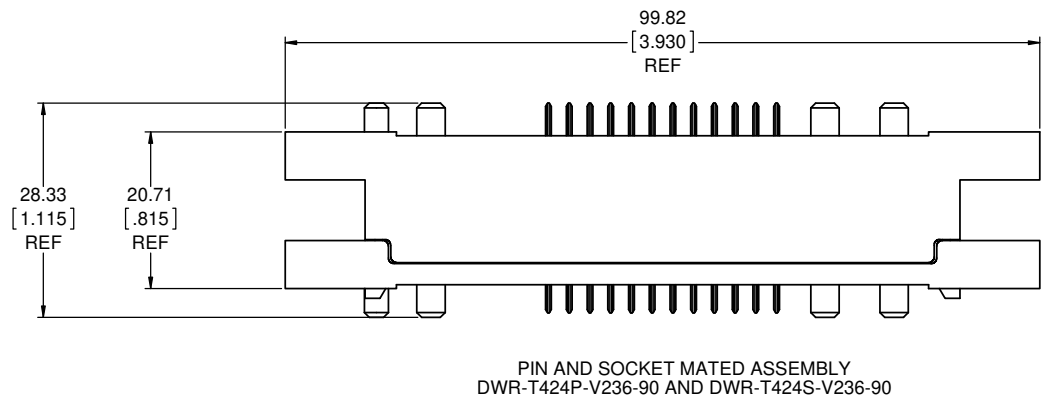
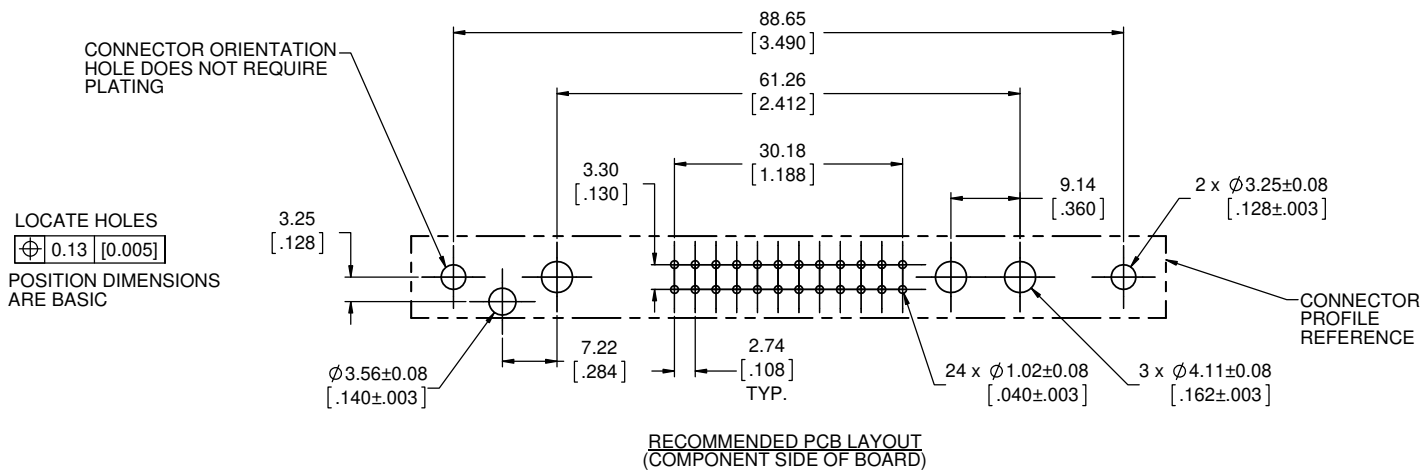
**Amphenol Canada Corp.**  
www.amphenolcanada.com

DWR SERIES SLIM DRAWER  
PIN CONNECTOR,  
SIZE CB8, VERTICAL PCB TAILS,  
POSITION A2 OMITTED, RoHS COMPLIANT

DWG. NO. P-DWR-T424P-V236-90 REV A

CODE ID NO. 03554 DWG SIZE: X SCALE: 2:1 SHEET 1 OF 2

| REVISIONS |                              |          |       |
|-----------|------------------------------|----------|-------|
| REV       | DESCRIPTION, ECG, EAR NO.    | DATE     | APP'D |
| A         | PROPOSAL DRAWING (EAR 14107) | AUG01/12 | K.L.  |



THIS DOCUMENT CONTAINS PROPRIETARY INFORMATION AND SUCH INFORMATION MAY NOT BE DISCLOSED TO OTHERS FOR ANY PURPOSE OR USED FOR MANUFACTURING PURPOSES WITHOUT WRITTEN PERMISSION FROM AMPHENOL CANADA CORP.

|                            |                        |                      |
|----------------------------|------------------------|----------------------|
| UNLESS SPECIFIED OTHERWISE | DRAWN J.VANDERWINDT    | JUL31/12             |
| PRIMARY UNITS MILLIMETERS  | CHECKED K.LAMBIE       | AUG01/12             |
| SECONDARY INCHES           | M.E. APP'D             |                      |
| REFERENCE IN PARENTHESES   | Q.A. APP'D             |                      |
| GENERAL TOLERANCES         | DWG APPR.              |                      |
| 1 DECIMAL PLACE            | ENG. REL. NO.          | EAR 14107            |
| 2 DECIMAL PLACES           | REF.                   |                      |
| 3 DECIMAL PLACES           | THIRD ANGLE PROJECTION | DO NOT SCALE DRAWING |
| ANGULAR DEGREES            |                        |                      |

**Amphenol Canada Corp.**  
[www.amphenolcanada.com](http://www.amphenolcanada.com)

DWR SERIES SLIM DRAWER  
 PIN CONNECTOR,  
 SIZE CB8, VERTICAL PCB TAILS,  
 POSITION A2 OMITTED, RoHS COMPLIANT

DWG. NO. **P-DWR-T424P-V236-90** REV **A**

CODE ID NO. 03554 DWG SIZE: X SCALE: 2:1 SHEET 2 OF 2