



Chipsmall Limited consists of a professional team with an average of over 10 year of expertise in the distribution of electronic components. Based in Hongkong, we have already established firm and mutual-benefit business relationships with customers from,Europe,America and south Asia,supplying obsolete and hard-to-find components to meet their specific needs.

With the principle of "Quality Parts,Customers Priority,Honest Operation,and Considerate Service",our business mainly focus on the distribution of electronic components. Line cards we deal with include Microchip,ALPS,ROHM,Xilinx,Pulse,ON,Everlight and Freescale. Main products comprise IC,Modules,Potentiometer,IC Socket,Relay,Connector.Our parts cover such applications as commercial,industrial, and automotives areas.

We are looking forward to setting up business relationship with you and hope to provide you with the best service and solution. Let us make a better world for our industry!



Contact us

Tel: +86-755-8981 8866 Fax: +86-755-8427 6832

Email & Skype: info@chipsmall.com Web: www.chipsmall.com

Address: A1208, Overseas Decoration Building, #122 Zhenhua RD., Futian, Shenzhen, China

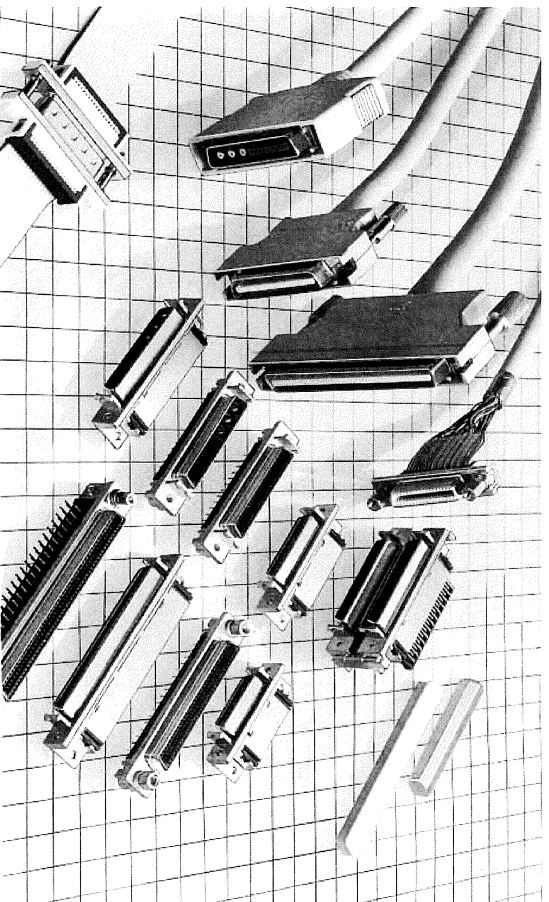


DX SERIES HIGH-DENSITY I/O CONNECTORS

General

DX series high-density I/O connectors with bellow contacts are perfect for tomorrow's miniaturized electronic devices. This new 1.27mm (0.050") interconnect design ensures positive locking, effortless coupling, terminal protection and EMI reduction in a miniaturized and rugged package. DX series offers you one of the most

varied and complete lines of High-Density connectors in the world, i.e. IDC, Solder and with Co-axial contacts for the plug and right angle dip, straight dip, IDC and with Co-axial contacts for the receptacle. Available in 20, 28, 36, 50, 68, 80, 100 and 132 way.



Features

1. 1.27mm (0.050") contact spacing conserves valuable board space and permits ultra-high density designs.
2. Bellow contacts create smooth and precise mating and unmating.
3. Unique shell design assures first make/last break grounding and overall noise protection.
4. IDC termination allows quick and low cost termination to AWG #28 & #30 wires.
5. Group IDC termination of 1.27mm pitch cable and loose piece contacts is possible simply by replacing the protector, allowing you to select a termination system meeting requirements, trial production and mass production, for example.
6. Backshell and receptacle shell are made of die-cast zinc alloy to reduce the penetration of external EMI noise.
7. Easy to use 'One-Touch' and 'Screw' locking mechanisms assure quick and easy 'positive' closures every time.
8. Termination method is available in IDC, Soldering, Right Angle Dip, Straight Dip and SMT.
9. DX with 3 cavities and 2 cavities for Co-axial contacts are newly introduced to meet the needs of high speed data transmission.
10. Shielded Plug-in type for interface between 2 Units available.

Application

Office Automation, Computers, Communications Equipment, Factory Automation, Home Automation and other commercial applications needing high density interconnections.

The product information in this catalog is for reference only. Please request the Engineering Drawing for the most current and accurate design information. All non-Roh's products have been discontinued, or will be discontinued soon. Please check the products status on the Hirose website Roh's search at www.hirose-connectors.com, or contact your Hirose sales representative.

Specifications

Items	Standard value
Current capacity	0.5A
Rated voltage	AC125V
Insulation resistance	250M Ω or more at DC100V
Contact resistance	50m Ω or less at DC100mA
Withstanding voltage	AC300V r.m.s. for 1 minute

Material & Finish

Parts	Materials	Finish
Plug shell	Zinc alloy die-cast	Silver finish
Receptacle shell	Zinc alloy die-cast	Nickel plating
Insulator	PBT resin or equivalent※	Black※
Pin contact	Copper alloy	Selective gold plating
Socket contact	Copper alloy	Selective gold plating

※UL94V-0

※ To identify DX30A, DX31A, DX32A & DX33A for AWG#28, natural color is partially used in the insulator.

Applicable cable

I/O cable (Discrete wire)		
Conductor size	AWG #30	AWG #28
Conductor information	7/0.1	7/0.127
Insulator outer dia.	ϕ 0.5	ϕ 0.58
UL style cables	UL20276 and UL2789	

Ribbon cable (flat & slit)	
Conductor size	AWG #28
Conductor information	19/0.08
Cable thickness	0.9
UL style cables	UL2651, UL2734, UL20012

Ordering Information

● Receptacle Connector

DX	10	※	※	—	50	S	—	※	(50)
(1)	(2)	(3)	(5)	(6)	(7)	(8)	(12)		

- (1) Series Number: DX
- (2) Connection Type
- 10: Right Angle Dip
- 20: Straight Dip

30: IDC for discrete thin wire (AWG # 28 and 30)
 31: IDC for discrete wire laminated (AWG # 28 and 30)

32: IDC for slit ribbon cable (AWG # 28)

33: IDC for flat ribbon cable (AWG # 28)

- (3) Lock Type

Blank: One Touch Lock

A : Screw Lock

- (4) Applicable Wire

Blank: AWG # 30

A : AWG # 28

- (5) Variation

Blank: Standard

J : Co-axial contact included

- (6) Number of Pins: 20, 28, 36, 50, 60, 68, 80, 100

- (7) Types of Opening

P : Plug connector

S : Receptacle connector

SW : Receptacle connector (double layer)

SE : Receptacle connector (Lock Pin)

- (8) Variation

Blank: Standard

CR2A: 2 co-axial contacts provided (Receptacle)

CR3 : 3 co-axial contacts provided (Receptacle)

CP3 : 3 co-axial contact holes provided (Plug)

LNA : Screw lock mechanism (Receptacle)

PG : Plug-in (Plug)

SG : Plug-in (Receptacle)

- (9) Accessories

CV : Straight cable (One-touch lock type)

CV1 : Straight cable entry case (Screw lock type)

CV3 : Straight cable entry case (Over mode type)

CV4 : Straight cable entry (Symmetry big cable)

DC : Dust cap (Semi-hard, for one-touch lock)

DC1 : Dust cap (Semi-hard, for screw lock)

DC2 : Dust cap (Soft for screw lock)

- (10) No. of signal terminals: 0, 26

- (11) Shell size

No.symbol: 50 pins

A : 20 pins

- (12) Specifications Content

(※※) : Individual specifications

● Accessories

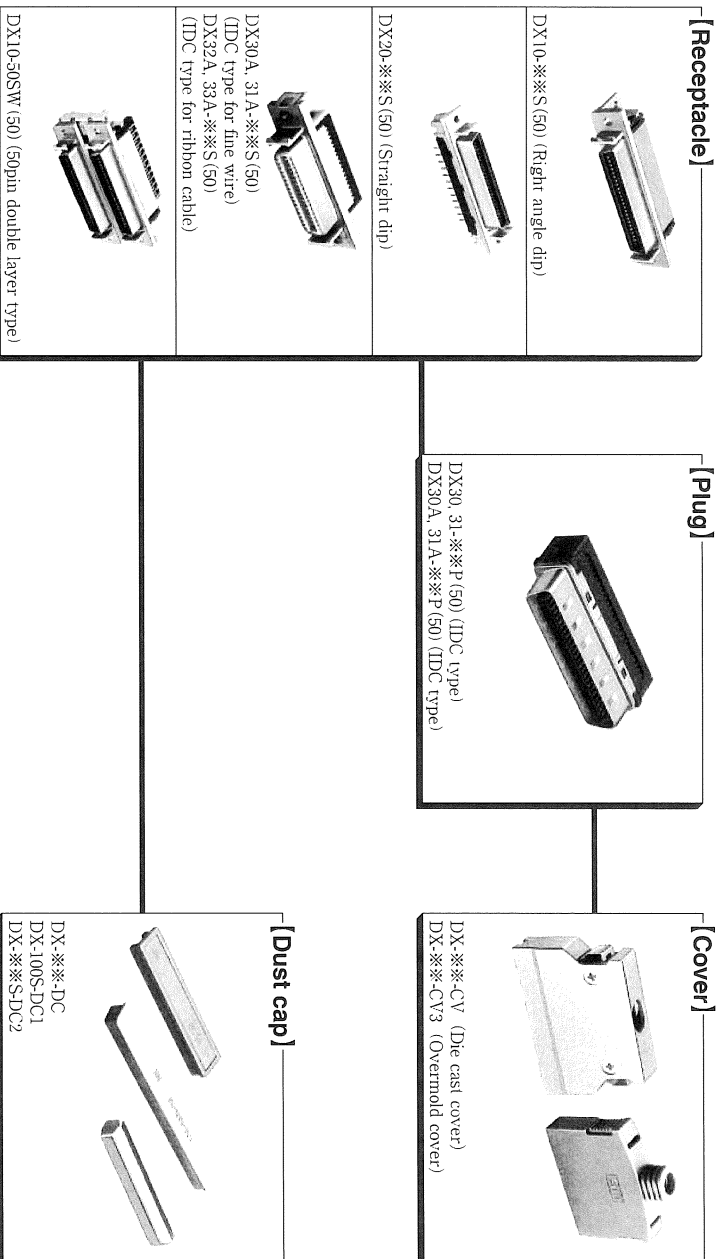
DX	—	50	—	CV	(50)
(1)		(6)		(9)	(12)

DX	10	J	—	0	SE	—	CR3	/	A	(50)
(1)	(2)	(5)	(10)	(7)	(8)	(11)	(12)			

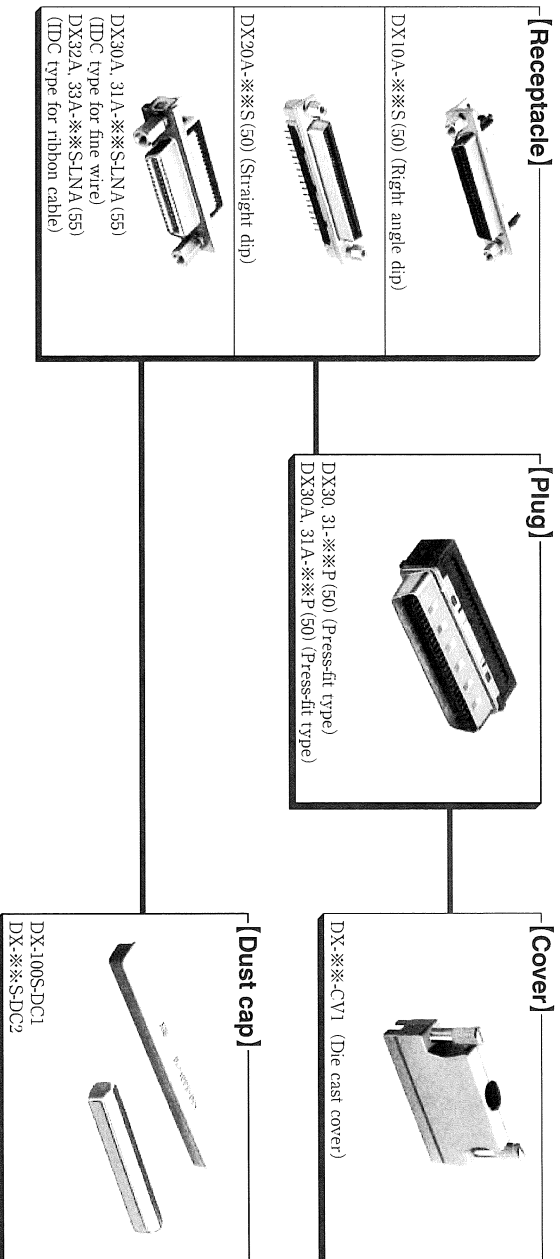
DX	30	A	J	—	26	P	—	CP3	(50)
(1)	(2)	(4)	(5)	(10)	(7)	(8)	(12)		

DX Series Variations

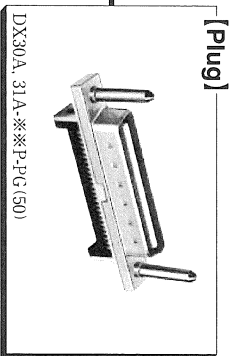
● One-touch lock I/O connector



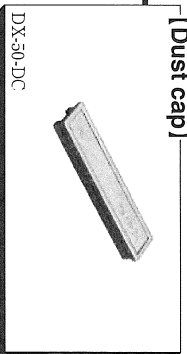
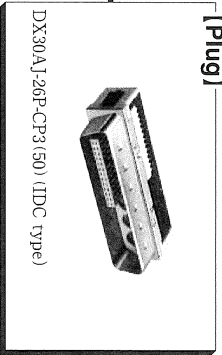
● Screw lock I/O connector



● Plug-in connector

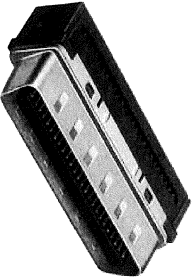


● I/O connector with co-axial contact

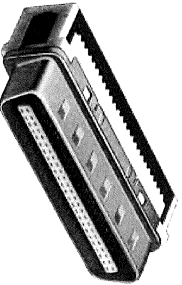
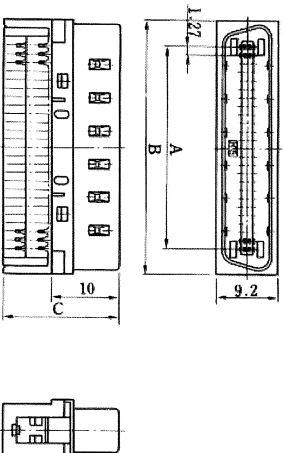


1. IDC Plug Connector

1.1 DX30, DX30A-※※※※※ P (50)



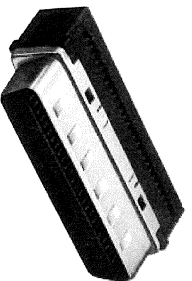
DX30-50P(50)



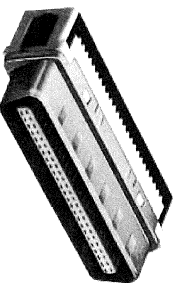
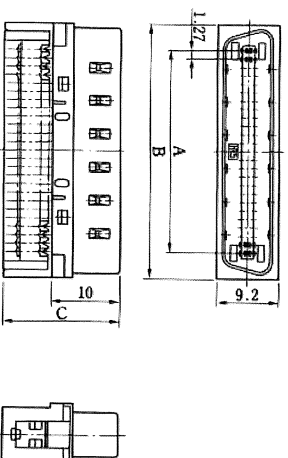
DX30A-50P(50)

HRS No.	No. of Pin	Part No.	Applicable cable	A	B	C	Unit: mm Roh's
CL230400184-50	20	DX30-20P(50)	AWG #30	11.43	19.18	17.2	YES
CL230400221-50		DX30A-20P(50)	AWG #28				
CL230400093-50	28	DX30-28P(50)	AWG #30	16.51	24.26	17.2	
CL230400234-50		DX30A-28P(50)	AWG #28				
CL230400102-50	36	DX30-36P(50)	AWG #30	21.59	29.34	17.2	
CL230400247-50		DX30A-36P(50)	AWG #28				
CL230400114-50	50	DX30-50P(50)	AWG #30	30.48	38.23	17.2	
CL230400254-50		DX30A-50P(50)	AWG #28				
CL230400128-50	68	DX30A-68P(50)	AWG #30	41.91	49.66	17.2	
CL230400263-50		DX30-80P(50)	AWG #28				
CL230400134-50	80	DX30A-80P(50)	AWG #30	49.53	57.28	17.2	
CL230400275-50		DX30A-80P(50)	AWG #28				
CL230400143-50	100	DX30A-100P(50)	AWG #30	62.23	69.98	18.2	
CL230400288-50		DX30A-100P(50)	AWG #28				

1.2 IDC Plug Connector DX31, DX31A-※※P (50) (Discrete Wire Laminated)



DX31-50P(50)



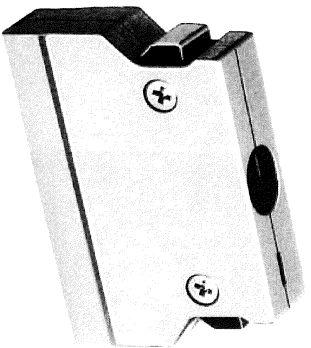
DX31A-50P(50)

HMS No.	No. of Pin	Part No.	Applicable cable	A	B	C	RoHS
CI.230-0015-4-50	20	DX31-20P(50)	AWG# 30	11.3	19.18	17.2	
CI.230-0024-0-50		DX31A-20P(50)	AWG# 28				
CI.230-0016-9-50	28	DX31-28P(50)	AWG# 30	16.51	24.26	17.2	
CI.230-0030-0-50		DX31A-28P(50)	AWG# 28				
CI.230-0017-1-50	36	DX31-36P(50)	AWG# 30	21.59	29.34	17.2	
CI.230-0031-2-50		DX31A-36P(50)	AWG# 28				
CI.230-0018-4-50	50	DX31-50P(50)	AWG# 30	30.48	38.23	17.2	YES
CI.230-0019-7-50		DX31A-50P(50)	AWG# 28				
CI.230-0035-8-50	68	DX31-68P(50)	AWG# 30	41.91	49.66	17.2	
CI.230-0024-0-50		DX31A-68P(50)	AWG# 28				
CI.230-0034-0-50	80	DX31-80P(50)	AWG# 30	49.54	57.28	17.2	
CI.230-0021-0-50		DX31A-80P(50)	AWG# 28				
CI.230-0025-3-50	100	DX31-100P(50)	AWG# 30	62.23	69.98	18.2	
		DX31A-100P(50)	AWG# 28				

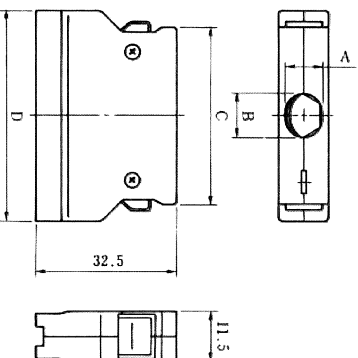
Unit: mm

2. Shell

2.1 DX-※※-CV (One Touch Lock)



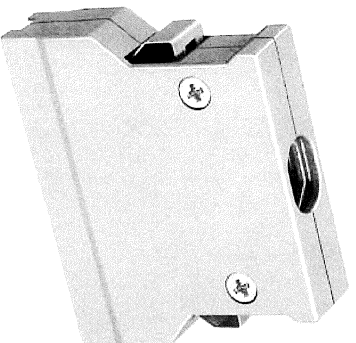
DX-50-CV



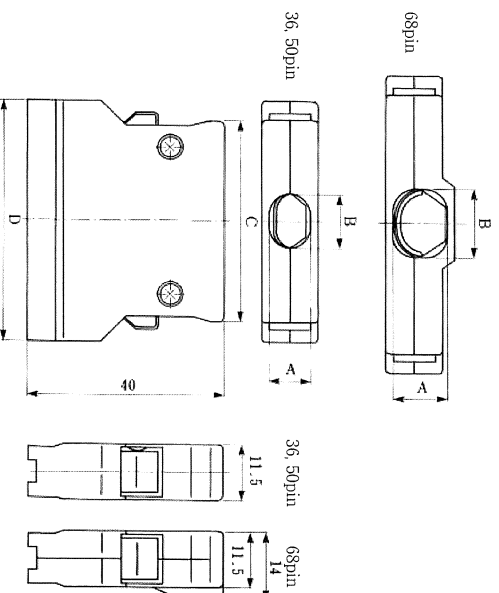
HRS No.	No. of Pin	Part No.	A	B	C	D	RoHS
CI230-0036-6	20	DX-20-CV	φ6.7	φ6.7	22.3	30.0	
CI230-0037-9	28	DX-28-CV	φ7.5	φ7.5	27.38	35.08	
CI230-0038-1	36	DX-36-CV	φ8.7	φ8.7	32.46	40.16	YES
CI230-0038-4	50	DX-50-CV	8.5	10.0	41.35	49.05	
CI230-0040-3	68	DX-68-CV	9.2	10.0	52.78	60.48	
CI230-0041-6	80	DX-80-CV	8.5	12.5	60.4	68.1	

Unit: mm

2.2 DX-※※※-CV4 (Large Cable, One Touch Lock)



DX-50-CV4

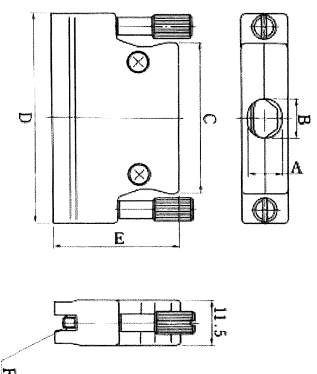
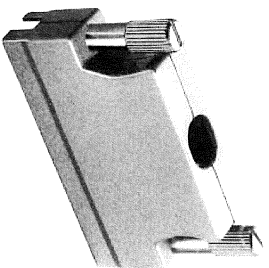


HRS No.	No. of Pin	Part No.	A	B	C	D	RoHS
CI230-0226-1	36	DX-36-CV4	8.5	11	32.46	40.16	
CI230-0227-4	50	DX-50-CV4	8.5	11	41.35	49.05	YES
CI230-0228-7	68	DX-68-CV4	11.0	14	52.78	60.48	

Unit: mm

The product information in this catalog is for reference only. Please request the Engineering Drawing for the most current and accurate design information. All non-Rohs products have been discontinued or will be discontinued soon. Please check the products status on the Hirose website Rohs search at www.hirose-connectors.com or contact your Hirose sales representative.

2.3 DX-※※-CV1 (Screw Lock)

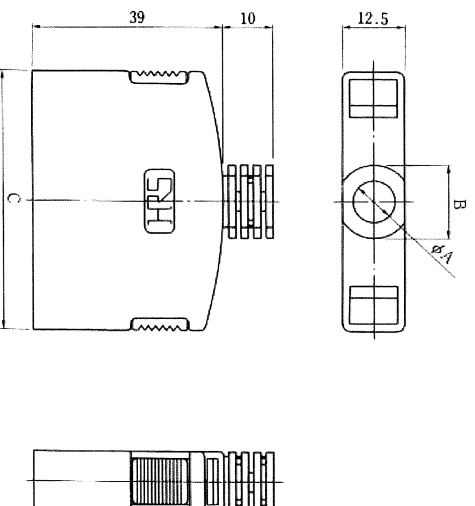
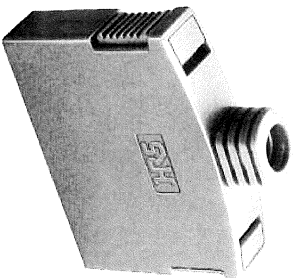


DX-68-CV1

HRS No.	No. of Pins	Part No.	A	B	C	D	E	F	RoHS
CI230-0054-8	20	DX-20-CV1	6.0	8.0	19.2	34.2	32	M3×0.5	
CI230-0055-0	28	DX-28-CV1	6.5	8.5	24.28	39.28	32	M3×0.5	
CI230-0056-3	36	DX-36-CV1	7.5	9.0	29.36	44.36	32	M3×0.5	YES
CI230-0057-6	50	DX-50-CV1	8.5	10.0	38.25	53.25	32	M3×0.5	
CI230-0058-9	68	DX-68-CV1	8.5	11.0	49.68	64.68	32	M3×0.5	
CI230-0059-1	80	DX-80-CV1	8.5	12.5	57.3	72.3	32	M3×0.5	
CI230-0044-4	100	DX-100-CV1	8.5	14.0	60.0	85.0	38.9	M2.6×0.45	

Unit: mm

2.4 DX-※※-CV3 (One Touch Lock, Overmold)



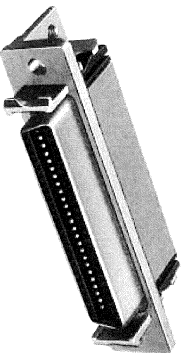
DX-50-CV3

HRS No.	No. of Pins	Part No.	A	B	C	RoHS
CI230-0147-7	50	DX-50-CV3	8.8	15	53	
CI230-0237-8	68	DX-68-CV3	9.6	14.9	64.43	YES

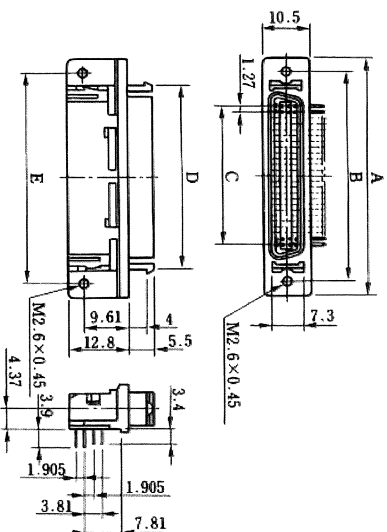
Unit: mm

3. Receptacle

2.1 DX10-※※-S (50) (Right Angle Dip, One Touch Lock)



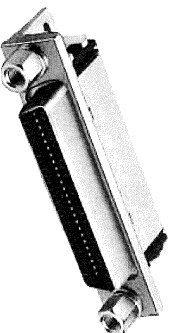
DX10-50S(50)



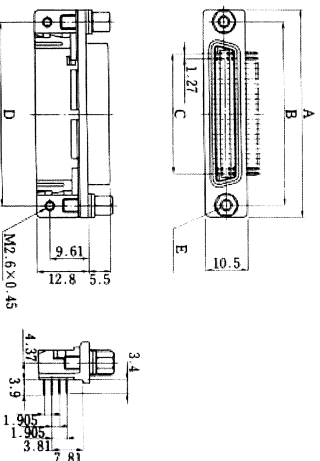
HRS No.	No. of Pin	Part No.	A	B	C	D	E	Radius
CL230-0001-1-50	20	DX10-20S(50)	33.4	27.4	11.43	27.4	27.4	
CL230-0002-4-50	28	DX10-28S(50)	38.48	32.48	16.51	26.68	32.48	
CL230-0003-7-50	36	DX10-36S(50)	43.56	37.56	21.59	31.76	37.56	YES
CL230-0004-0-50	30	DX10-30S(50)	52.45	46.45	30.48	40.65	46.45	
CL230-0005-2-50	68	DX10-68S(50)	63.88	57.88	41.91	52.08	57.88	
CL230-0006-5-50	80	DX10-80S(50)	71.5	65.5	49.53	59.7	65.5	

Unit: mm

3.2 DX10A-※※-S (50) (Right Angle Dip, Screw Lock)



DX10A-50S(50)

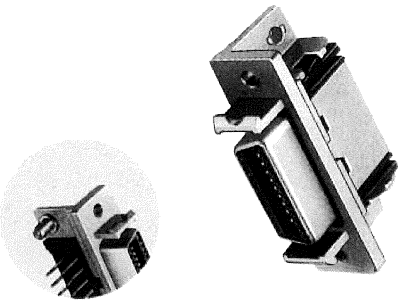


Panel Thickness	No. of Washer
t=0.7~1.0	Each 2 pieces
t=1.5~1.8	Each 1 piece

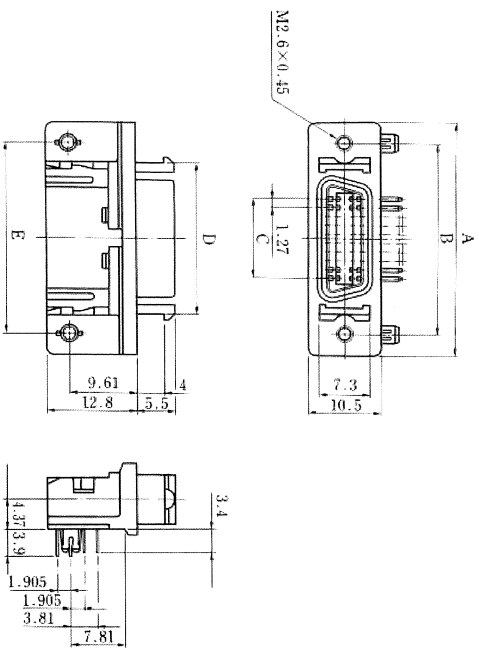
HRS No.	No. of Pin	Part No.	A	B	C	D	E	Radius
CL230-0007-2-50	20	DX10A-20S(50)	33.4	27.4	11.43	27.4	M3×0.5	
CL230-0008-5-50	28	DX10A-28S(50)	38.48	32.48	16.51	32.48	M3×0.5	
CL230-0009-8-50	36	DX10A-36S(50)	43.56	37.56	21.59	37.56	M3×0.5	
CL230-0020-7-50	50	DX10A-50S(50)	52.45	46.45	30.48	46.45	M3×0.5	YES
CL230-0051-0-50	68	DX10A-68S(50)	63.88	57.88	41.91	57.88	M3×0.5	
CL230-0052-2-50	80	DX10A-80S(50)	71.5	65.5	49.53	65.5	M3×0.5	
CL230-0004-1-50	100	DX10A-100S(50)	84.2	78.2	62.23	78.2	M2.6×0.45	

Unit: mm

3.3 DX10-※※-SE (50) (Right Angle Dip, One Touch Lock, Lock Pin)



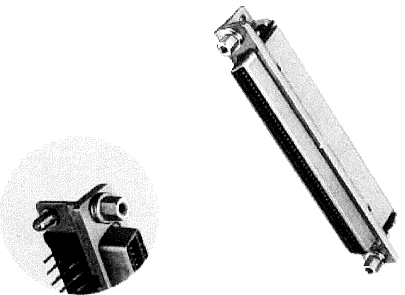
DX10-20SE(50)



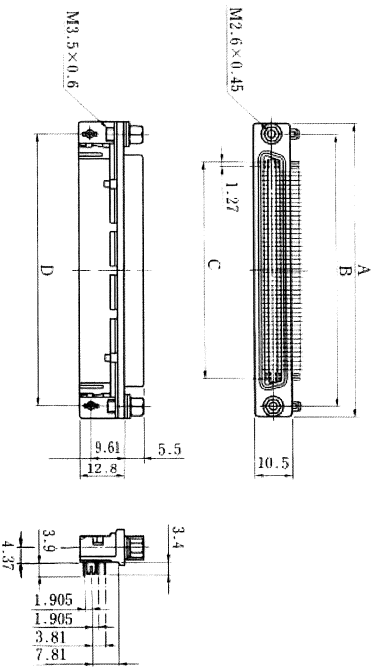
HRS No.	No. of Pins	Part No.	A	B	C	D	E	Roh'S
CL23040274-4-50	20	DX10-20SE(50)	33.4	27.4	11.43	21.6	27.4	YES

Unit: mm

3.4 DX10A-※※-SE (50) (Right Angle Dip, Screw Lock, Lock Pin)



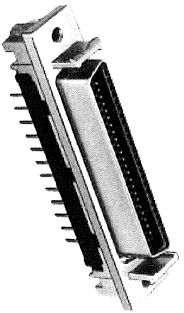
DX10A-100SE(50)



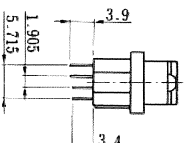
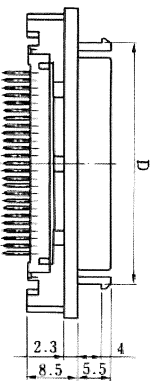
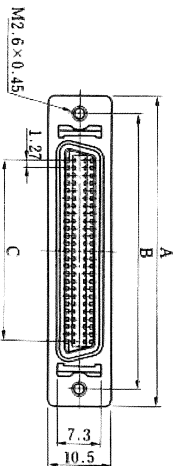
HRS No.	No. of Pins	Part No.	A	B	C	D	Roh'S
CL23040292-5-50	100	DX10A-100SE(50)	84.2	78.2	62.23	78.2	YES

Unit: mm

3.5 DX20-※※-S (50) (Straight Dip, One Touch Lock)



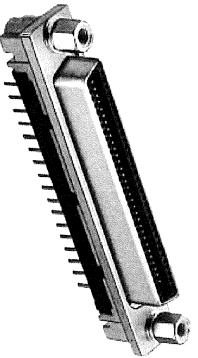
DX20-50S(50)



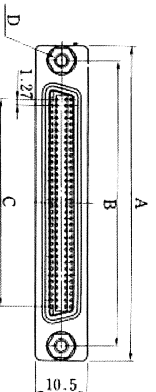
HRS No.	No. of Pin	Part No.	A	B	C	D	Roh's
CL23040084-4-50	36	DX20-36S(50)	43.56	37.56	21.50	31.76	
CL23040068-2-50	50	DX20-50S(50)	52.45	46.45	30.48	40.65	YES
CL23040084-4-50	80	DX20-80S(50)	71.5	65.5	49.53	59.7	

Unit: mm

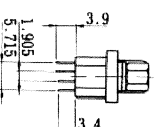
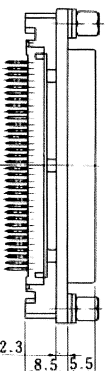
3.6 DX20A-※※-S (50) (Straight Dip, Screw Lock)



DX20A-68S(50)



Panel Thickness	No. of Washer
t=0.7~1.0	Each 2 pieces
t=1.5~1.8	Each 1 piece

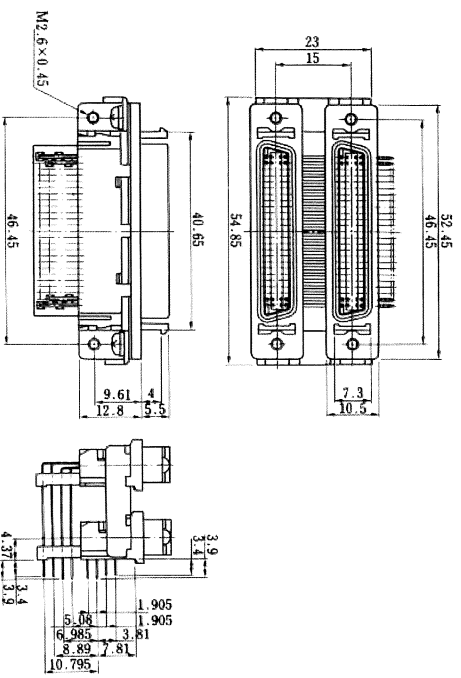
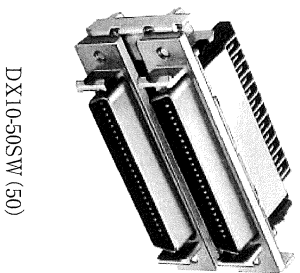


HRS No.	No. of Pin	Part No.	A	B	C	E	Roh's
CL23040164-8-50	36	DX20A-36S(50)	43.56	37.56	21.50	M3 x 0.5	
CL23040272-9-50	50	DX20A-50S(50)	52.45	46.45	30.48	M3 x 0.5	YES
CL23040144-4-50	68	DX20A-68S(50)	63.88	57.88	41.91	M3 x 0.5	
CL23040084-4-50	100	DX20A-100S(50)	84.2	78.2	62.23	M2.6 x 0.45	

Unit: mm

The product information in this catalog is for reference only. Please request the Engineering Drawing for the most current and accurate design information. All non-Roh's products have been discontinued, or will be discontinued soon. Please check the products status on the Hirose website Roh's search at www.hirose-connectors.com, or contact your Hirose sales representative.

3.7 DX10-50-SW (50) (Right Angle Dip, One Touch Lock, Double Layer)

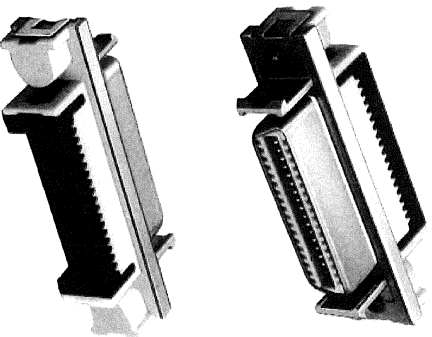


HHS No.	Part No.	Roh'S
CI23040089550	DX10-50SW(50)	YES

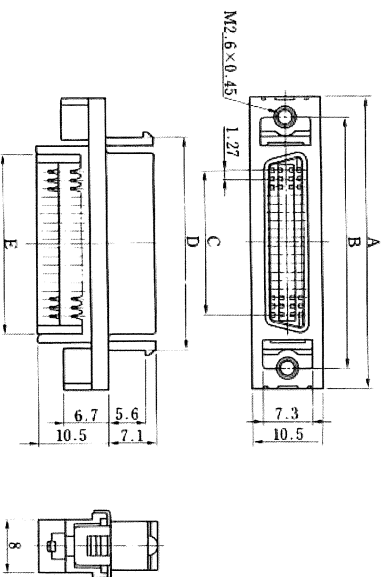
Unit: mm

4. Panel mount Cable to Cable Connector

4.1 DX30A-※※-S (50) (Discrete Wire, Thin Cable, One Touch Lock)

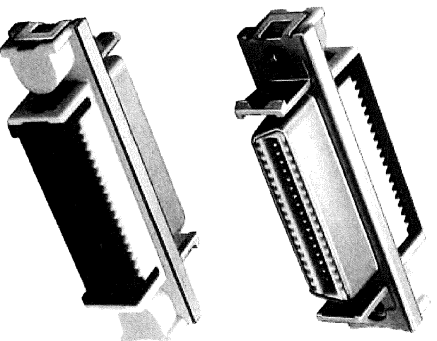


DX30A-36S(50)

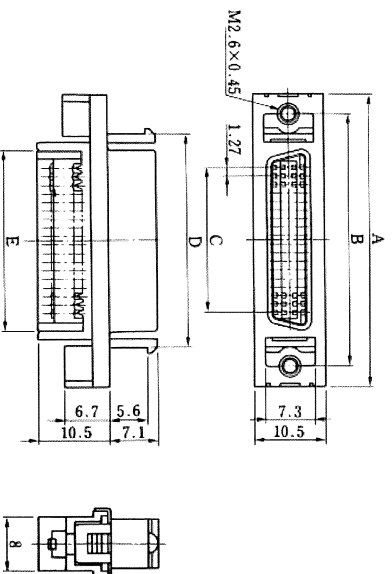


HRS No.	No. of Pin	Part No.	A	B	C	D	E	Roh's
CL23040186-6-50	36	DX30A-36S(50)	44.56	37.56	21.59	31.76	29.34	YES
CL23040186-9-50	50	DX30A-50S(50)	53.45	46.45	30.48	40.65	38.23	

4.2 DX31A-※※-S (50) (Discrete Wire Laminated, Fine Cable, One Touch Lock)



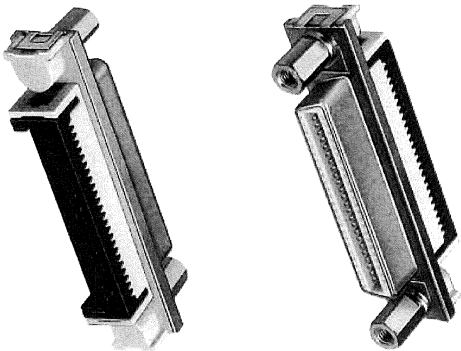
DX31A-36S(50)



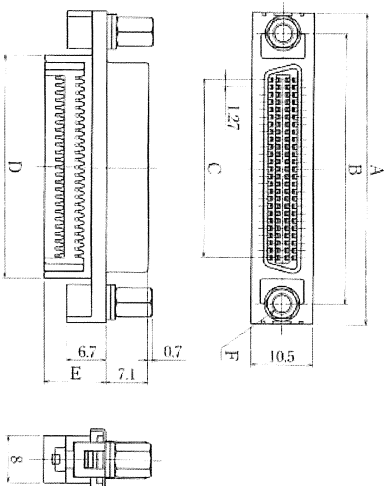
HRS No.	No. of Pin	Part No.	A	B	C	D	E	Roh's
CL2304011-6-50	20	DX31A-20S(50)	33.4	27.4	11.43	21.6	19.18	
CL2304011-4-50	36	DX31A-36S(50)	44.56	37.56	21.59	31.76	29.34	YES
CL23040186-4-50	50	DX31A-50S(50)	53.45	46.45	30.48	40.65	38.23	

The product information in this catalog is for reference only. Please request the Engineering Drawing for the most current and accurate design information. All non-Rohs products have been discontinued or will be discontinued soon. Please check the products status on the Hirose website Rohs search at www.hirose-connectors.com, or contact your Hirose sales representative.

4.3 DX30A-※※S-LNA (5※) (Discrete Thin Wire, Screw Lock)



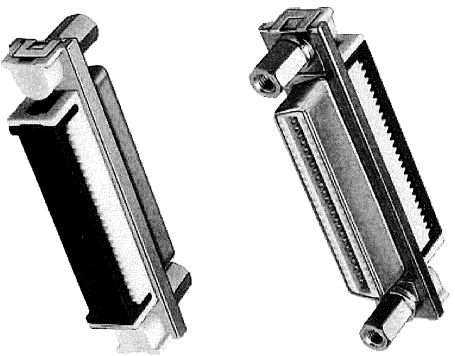
DX30A-50S-LNA(55)



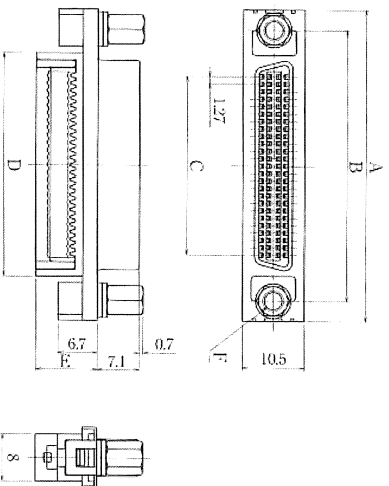
HRS No.	No. of Pts	Part No.	A	B	C	D	E	F	Rohs
CL23040167-455	36	DX30A-36S-LNA(55)	44.56	37.26	21.59	29.34	10.5	M3×0.5	
CL23040189-755	50	DX30A-50S-LNA(55)	53.45	46.15	30.48	38.23	10.5	M3×0.5	YES
CL23040168-750	100	DX30A-100S-LNA(50)	86.82	78.2	62.23	69.98	11.5	M2.6×0.45	

Unit: mm

4.4 DX31A-※※S-LNA (5※) (Discrete Wire Laminated, Screw Lock)



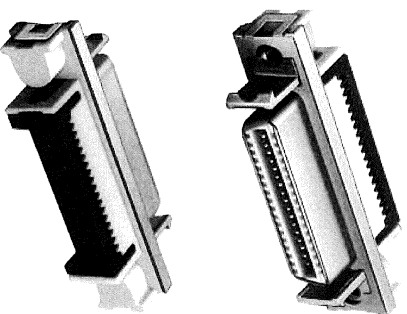
DX31A-50S-LNA(55)



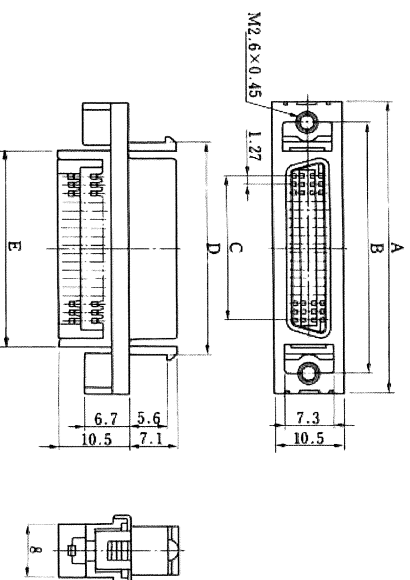
HRS No.	No. of Pts	Part No.	A	B	C	D	E	F	Rohs
CL23040174-55	36	DX31A-36S-LNA(55)	44.56	37.26	21.59	29.34	10.5	M3×0.5	
CL23040194-455	50	DX31A-50S-LNA(55)	53.45	46.15	30.48	38.23	10.5	M3×0.5	YES
CL23040086-450	100	DX31A-100S-LNA(50)	86.82	78.2	62.23	69.98	11.5	M2.6×0.45	

Unit: mm

4.5 DX32A-※※-S (50) (Discrete Wire Laminated, Ribbon Cable, One Touch Lock)



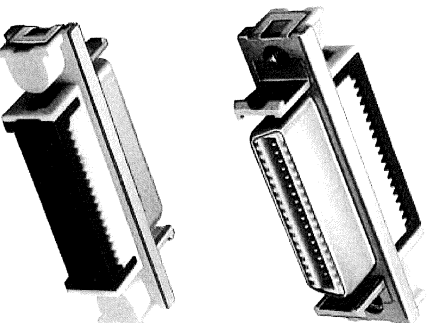
DX32A-36S(50)



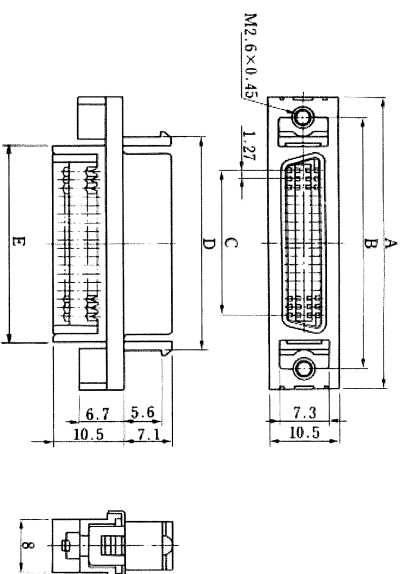
HRS No.	No. of Pin	Part No.	A	B	C	D	E	Roh'S
CL23040195-4-50	36	DX32A-36S(50)	44.56	37.56	21.59	31.76	29.34	YES

Unit: mm

4.6 DX33A-※※-S (50) (Group IDC, Flat Ribbon Cable, One Touch Lock)



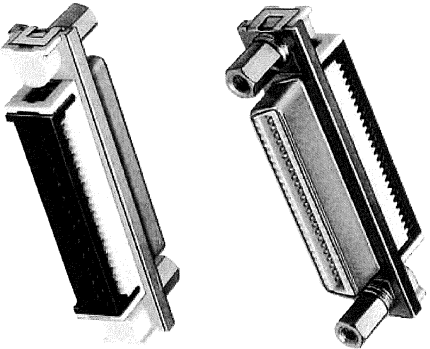
DX33A-36S



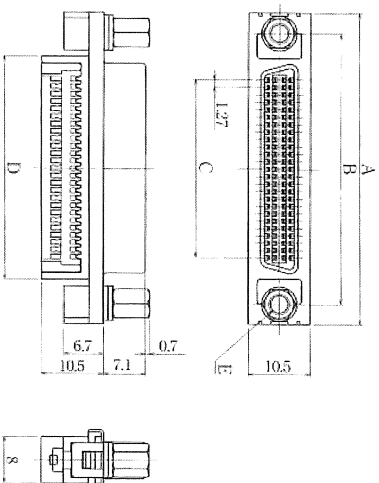
HRS No.	No. of Pin	Part No.	A	B	C	D	E	Roh'S
CL23040202-3-50	36	DX33A-36S(50)	44.56	37.56	21.59	31.76	29.34	YES
CL23040203-5-50	50	DX33A-50S(50)	53.45	46.45	30.48	40.65	38.23	

Unit: mm

4.7 DX32A-※※S-LNA (55) (Loose Piece IDC, Slit Ribbon Cable, Screw Lock)



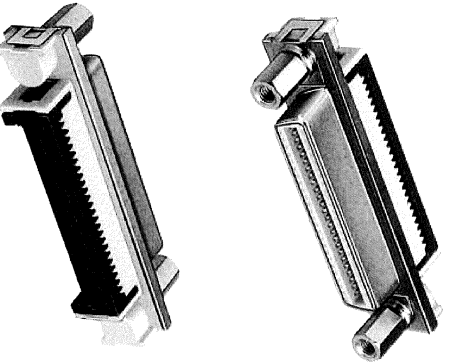
DX32A-50S-LNA(55)



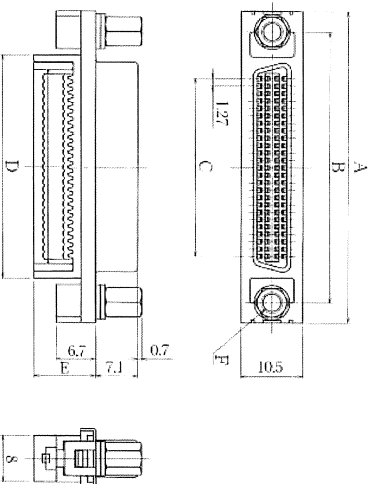
HRS No.	No. of Pins	Part No.	A	B	C	D	E	RoHS
CL220-0198-0-55	50	DX32A-50S-LNA(55)	53.45	46.45	30.48	38.23	M3×0.5	YES

Unit: mm

4.8 DX33A-※※S-LNA (5※) (Group IDC, Flat Ribbon Cable, Screw Lock)



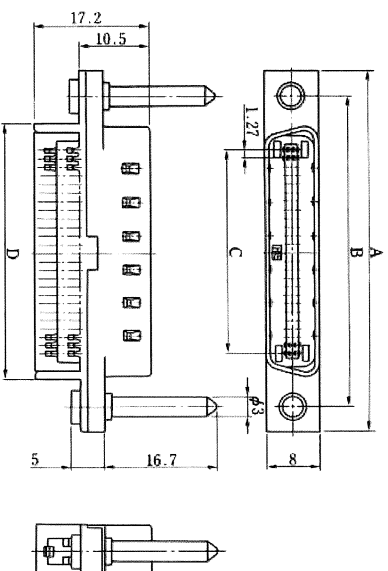
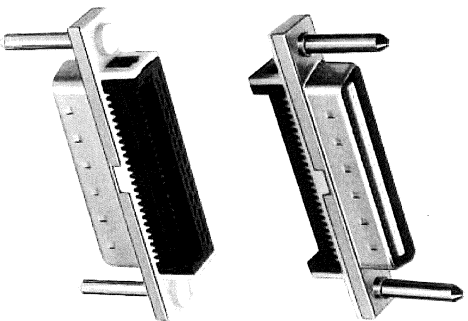
DX33A-50S-LNA(55)



HRS No.	No. of Pins	Part No.	A	B	C	D	E	E	RoHS
CL220-0206-4-55	50	DX33A-50S-LNA(55)	53.45	46.45	30.48	38.23	10.5	M3×0.5	YES
CL220-0171-1-50	100	DX33A-100S-LNA(50)	85.82	78.2	62.23	69.98	11.5	M2.6×0.45	YES

Unit: mm

5. Plug In Connector 5.1 DX30A-※※P-PG (50) (Discrete Thin Wire)

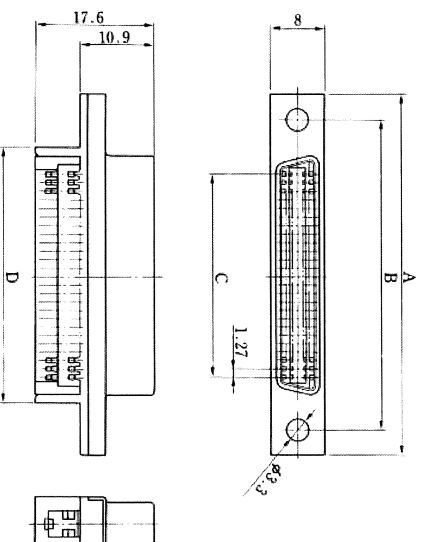
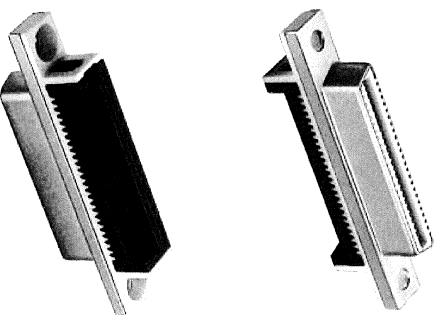


DX30A-50P-PG(50)

HRS No.	No. of Pin	Part No.	A	B	C	D	Roh'S
CL2304001350	28	DX30A-28P-PG(50)	40.0	32.48	16.51	24.26	
CL23040355850	36	DX30A-36P-PG(50)	45.08	37.56	21.59	29.34	YES
CL23040152750	50	DX30A-50P-PG(50)	53.97	46.45	30.48	38.23	

Unit: mm

5.2 DX30A-※※S-SG (50) (Discrete Thin Wire)

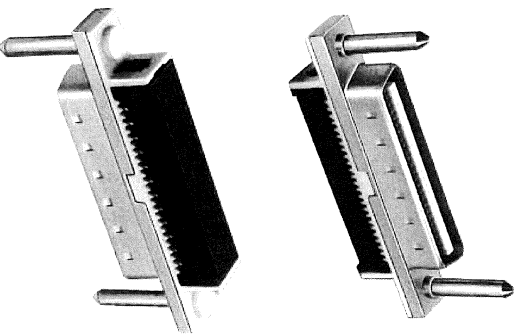


DX30A-50S-SG(50)

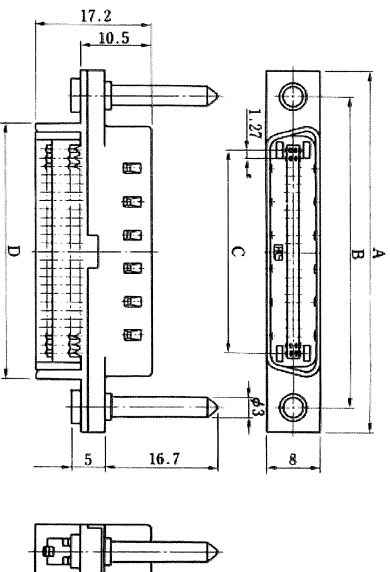
HRS No.	No. of Pin	Part No.	A	B	C	D	Roh'S
CL23040024550	28	DX30A-28S-SG(50)	40.0	32.48	16.51	24.26	
CL230401534550	50	DX30A-50S-SG(50)	53.97	46.45	30.48	38.23	YES

Unit: mm

5.3 DX31A-※※P-PG (50) (Discrete Wire Laminated)



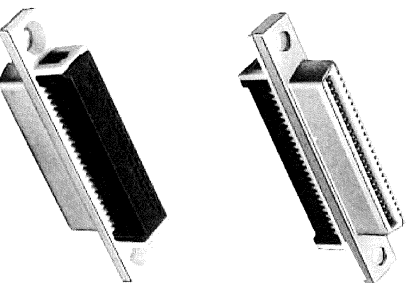
DX31A-50P-PG(50)



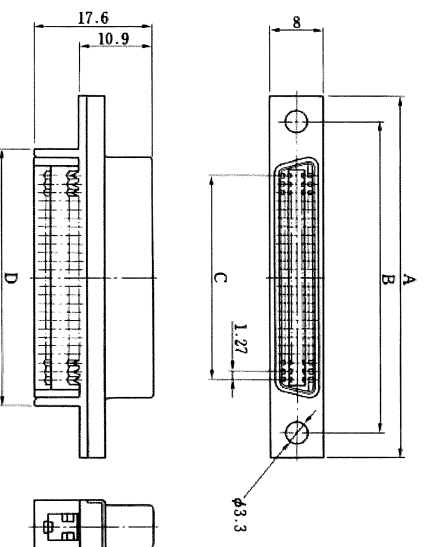
Unit: mm

HRS No.	No. of Pins	Part No.	A	B	C	D	Roh'S
CL29J01605-50	28	DX31A-28P-PG(50)	40.0	32.48	16.51	24.26	YES
CL29J01620-50	50	DX31A-50P-PG(50)	53.97	46.45	30.48	38.23	

5.4 DX31A-※※S-SG (50) (Discrete Wire Laminated)



DX31A-50S-SG(50)

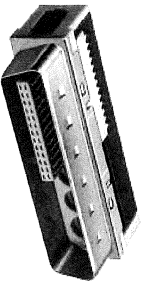


Unit: mm

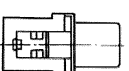
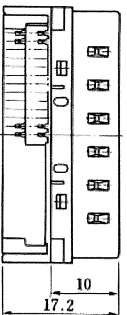
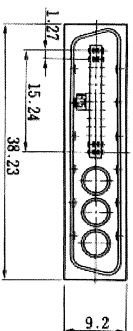
HRS No.	No. of Pins	Part No.	A	B	C	D	Roh'S
CL29J01633-50	28	DX31A-28S-SG(50)	40.0	32.48	16.51	24.26	
CL29J01644-50	36	DX31A-36S-SG(50)	45.08	37.46	21.59	29.34	YES
CL29J01654-50	50	DX31A-50S-SG(50)	53.97	46.45	30.48	38.23	

7. Co-axial Connector

7.1 Co-axial, Signal Terminal Connector



DX30AJ-26P-CP3(50)

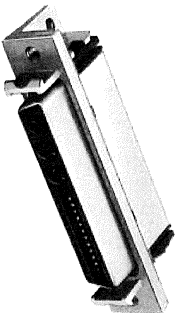


Applicable coaxial contact
 CL313-0351-6-40
 MJ-P-1.5CV (P) (40)

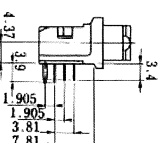
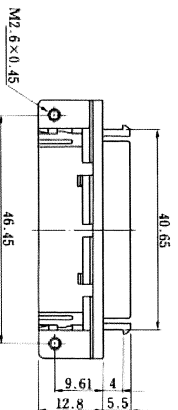
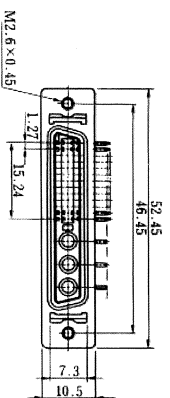
Applicable Cable
 Sumitomo Electric Industrial Co., Ltd.
 UL20121 (80°C, 30V)
 Complex 29 pins cable with double shield
 (Light Beige)

HRS No.	Part No.	Roh'S
CL230P(01)184Q-50	DX30AJ-26P-CP3(50)	YES

Unit: mm

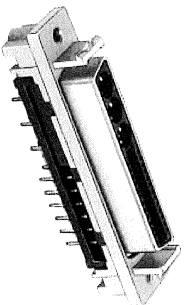


DX10J-26S-CR3(50)

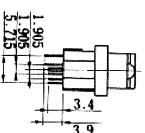
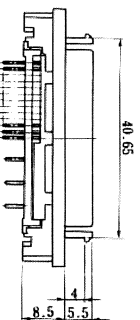
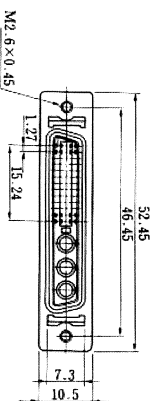


HRS No.	Part No.	Roh'S
CL230P(00)G3-50	DX10J-26S-CR3(50)	YES

Unit: mm



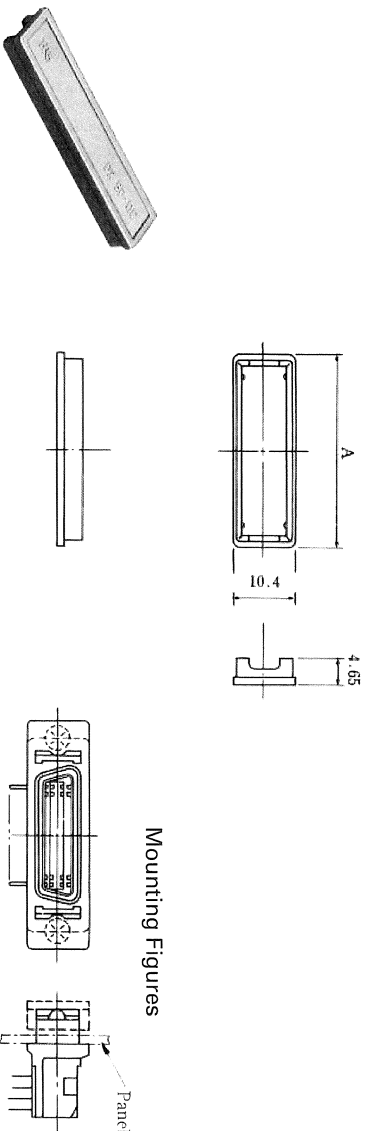
DX20J-26S-CR3(50)



HRS No.	Part No.	Roh'S
CL230P(00)H-1-50	DX20J-26S-CR3(50)	YES

Unit: mm

9. Dust Cap 9.1 DX-※※-DC (Semi-Hard, for One Touch Lock)

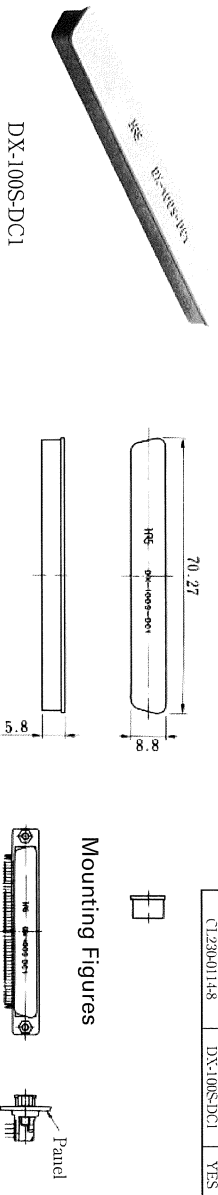


DX-50-DC

HRS No.	No. of Pin	Part No.	A	Rohs
CI.230-0103-1	20	DX-20-DC	27.35	
CI.230-0045-7	28	DX-28-DC	32.43	
CI.230-0211-5	36	DX-36-DC	37.5	YES
CI.230-0104-1	50	DX-50-DC	46.4	
CI.230-0078-6	68	DX-68-DC	57.83	
CI.230-0046-0	80	DX-80-DC	65.45	

Unit: mm

9.2 DX-100S-DC1 (Semi-Hard, for One-Touch Locking, for Screw Lock)

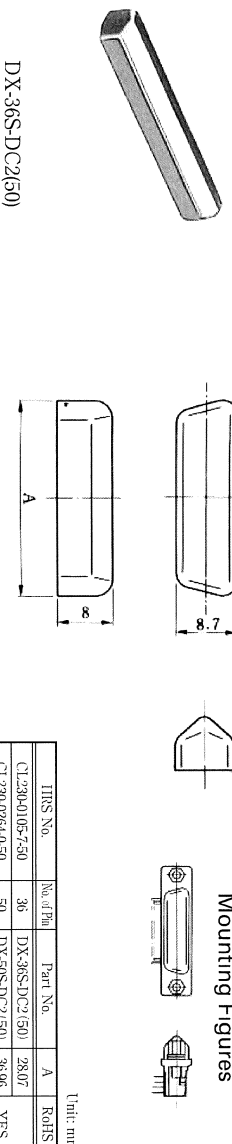


DX-100S-DC1

HRS No.	Part No.	Rohs
CI.230-0114-8	DX-100S-DC1	YES

Unit: mm

9.3 DX-※※-S-DC2 (Soft-Hard, for One-Touch Locking, for Screw Lock)



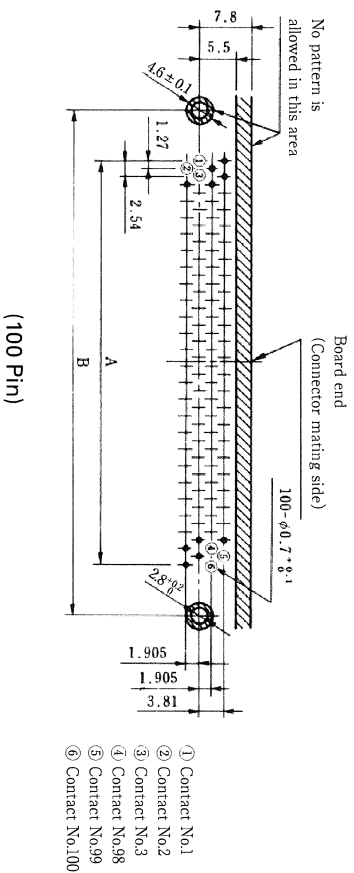
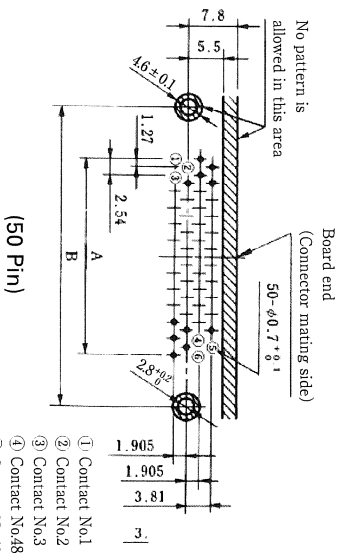
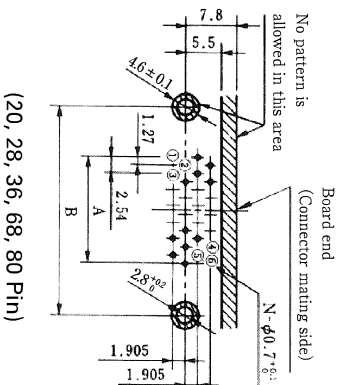
DX-36S-DC2(50)

HRS No.	No. of Pin	Part No.	A	Rohs
CI.230-0105-7-50	36	DX-36S-DC2(50)	28.07	
CI.230-0264-4-50	50	DX-50S-DC2(50)	36.96	YES
CI.230-0106-6-50	68	DX-68S-DC2(50)	48.39	

Unit: mm

PC Board Layout (Recommended board thickness : 1.6mm)

DX10, DX10A-※S (50)



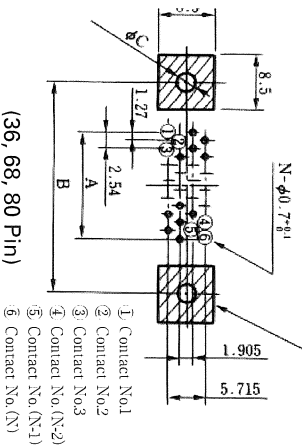
HRS No.	No. of Pin	Part No.	A	B
CI.230-0001-1-50	20	DX10-20S (50)	11.43	27.4
CI.230-0007-2-50	28	DX10A-28S (50)	16.51	32.48
CI.230-0048-5-50	36	DX10A-36S (50)	21.59	37.56
CI.230-0098-8-50	50	DX10-50S (50)	30.48	46.45
CI.230-0099-7-50	50	DX10A-50S (50)	30.48	46.45

HRS No.	No. of Pin	Part No.	A	B
CI.230-0005-2-50	68	DX10-68S (50)	41.91	57.88
CI.230-0051-0-50	80	DX10A-80S (50)	49.33	65.5
CI.230-0062-2-50	100	DX10A-100S (50)	62.23	78.2

Unit: mm

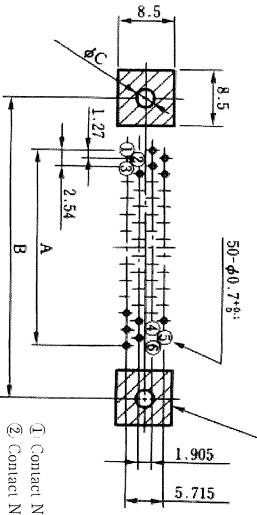
DX20, DX20A-※S (50)

No pattern is allowed in this area

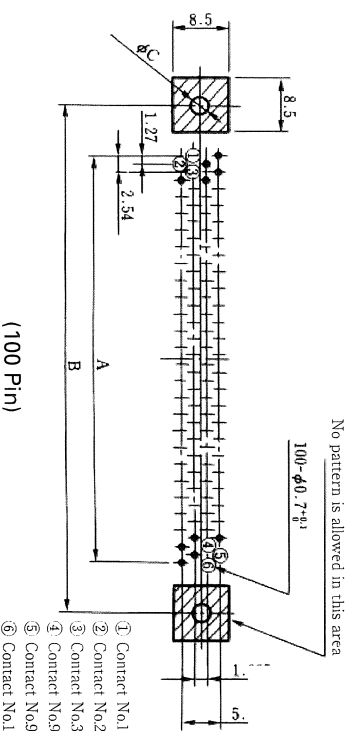


(36, 68, 80 Pin)

No pattern is allowed in this area



(50 Pin)



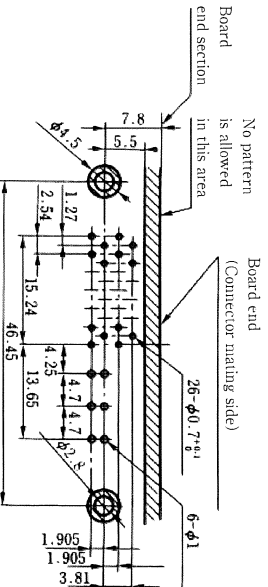
(100 Pin)

HRS No.	No. of Pin	Part No.	A	B	C
CL239400814-50	36	DX20-36S (50)	21.50	37.56	2.8
CL239400825-50	50	DX20-50S (50)	30.48	46.45	2.8
CL239401444-50	68	DX20A-68S (50)	41.91	57.88	3.7
CL239400834-50	80	DX20-80S (50)	49.53	63.5	3.7
CL239400844-50	100	DX20A-100S (50)	62.23	78.2	3.7

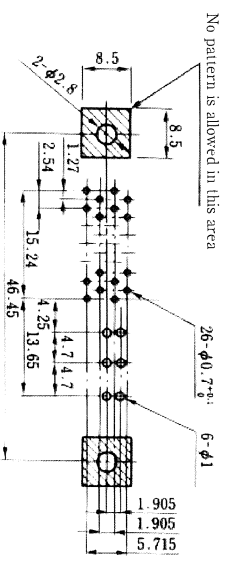
Unit: mm

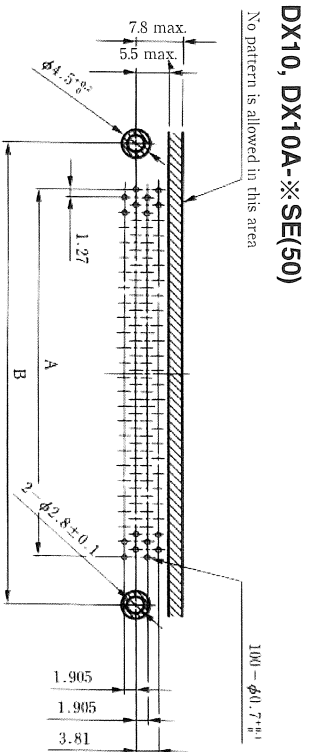
Coaxial-Connector

DX10J-26S CR3 (50)



DX20J-26S CR3 (50)

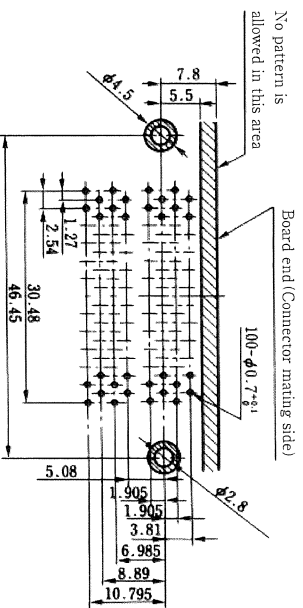




Unit: mm

HRS No.	No. of Pins	Part No.	A	B
CI 230A027A4-50	20	DX10-20SE(50)	11.43	27.4
CI 230A0282-5-50	100	DX10A-100SE(50)	62.23	78.2

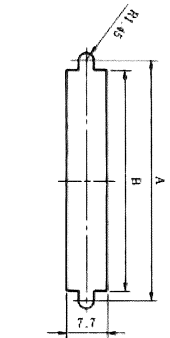
DX10-50SW (50)



The product information in this catalog is for reference only. Please request the Engineering Drawing for the most current and accurate design information. All non-Rohs products have been discontinued or will be discontinued soon. Please check the products status on the Hirose website Rohs search at www.hirose-connectors.com, or contact your Hirose sales representative.

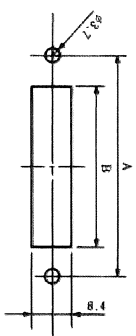
Panel-Fitting Dimensional Drawing (Recommended panel thickness :

One-Touch Lock Type



No. of Pin	Unit: mm	
	A	B
20	27.4	23.7
28	32.48	28.78
36	37.56	33.86
50	46.45	42.75
68	57.88	54.18
80	65.5	61.8

Screw Lock Type



No. of Pin	Unit: mm	
	A	B
20	27.4	18.81
28	32.48	23.89
36	37.56	28.97
50	46.45	37.86
68	57.88	49.29
80	65.5	56.91
100	78.2	69.61

DX Connector Distribution Diagram

DX10-36S (50), DX31 ※-36P (50)

