



Chipsmall Limited consists of a professional team with an average of over 10 year of expertise in the distribution of electronic components. Based in Hongkong, we have already established firm and mutual-benefit business relationships with customers from,Europe,America and south Asia,supplying obsolete and hard-to-find components to meet their specific needs.

With the principle of “Quality Parts,Customers Priority,Honest Operation,and Considerate Service”,our business mainly focus on the distribution of electronic components. Line cards we deal with include Microchip,ALPS,ROHM,Xilinx,Pulse,ON,Everlight and Freescale. Main products comprise IC,Modules,Potentiometer,IC Socket,Relay,Connector.Our parts cover such applications as commercial,industrial, and automotives areas.

We are looking forward to setting up business relationship with you and hope to provide you with the best service and solution. Let us make a better world for our industry!



Contact us

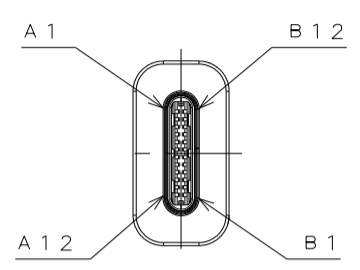
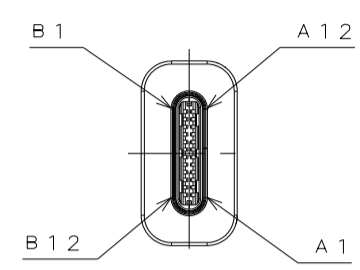
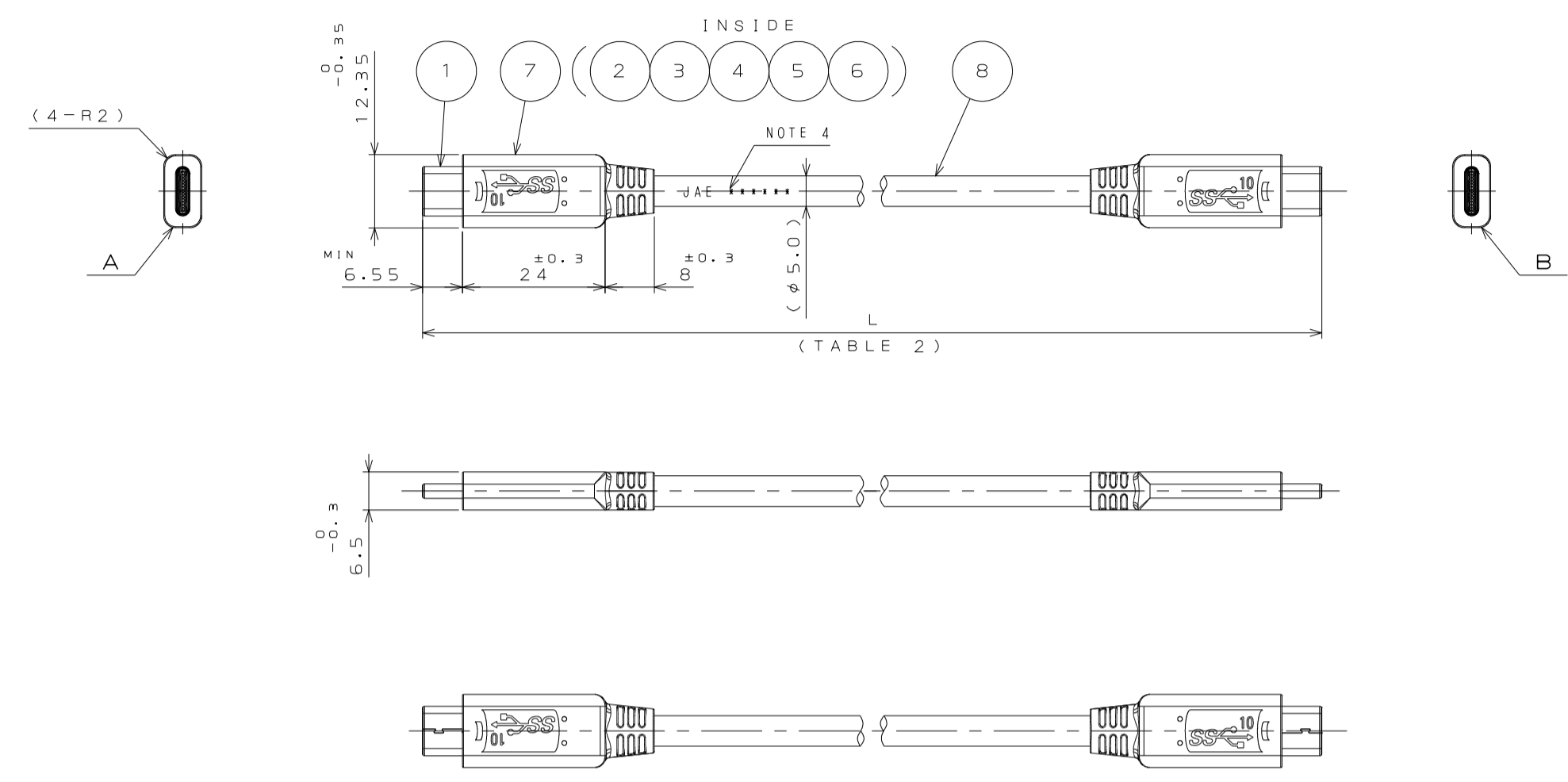
Tel: +86-755-8981 8866 Fax: +86-755-8427 6832

Email & Skype: info@chipsmall.com Web: www.chipsmall.com

Address: A1208, Overseas Decoration Building, #122 Zhenhua RD., Futian, Shenzhen, China



版数 VER.	年月日 DATE	CN NO.	変更内容 DESCRIPTION	製図 DR.	担当 CHK.	査閲 APPD.	承認 APPD.
2	7.Sep.2017	022355	USB LOGO ADDED, ETC.	-	T.YAMAGUCHI	M.KIMURA	N.ANDOU



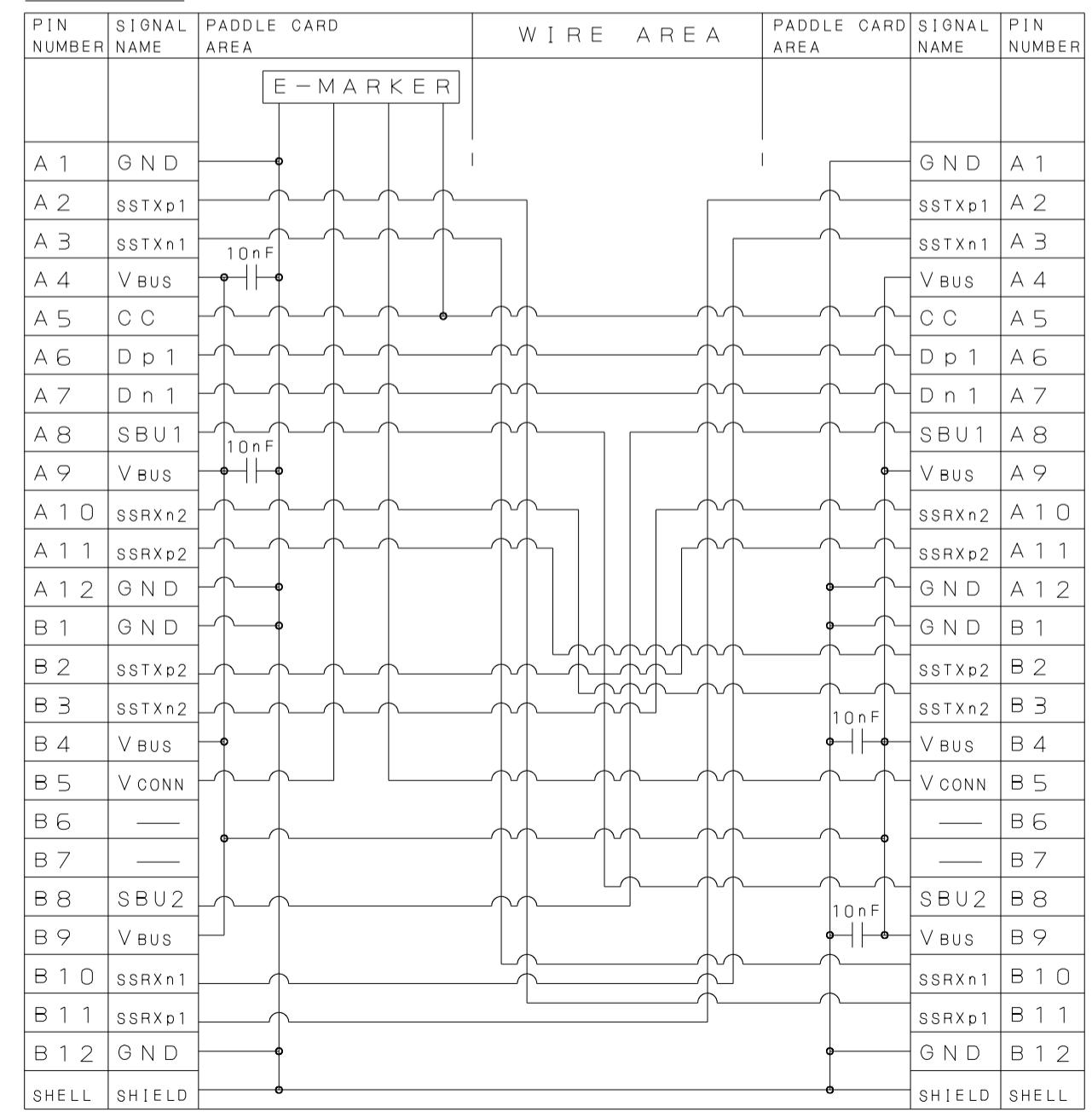
DETAIL A
(SCALE 2:1)

DETAIL B
(SCALE 2:1)

△ TABLE 2 (NOTE 3)

Harness Item	L (CABLE LENGTH)	USB VERSION	USB LOGO VERSION
DX07518S10N18747	1000 ±30	USB3.1 Gen2	
DX07518S20K18747	2000 ±50	USB3.1 Gen1	

TABLE 1 (NOTE 1)



△ LOT No.
6 T 7 9 0 7
DAY
MONTH(Oct.:0, Nov.:X, Dec.:Y)
YEAR
PRODUCTION AREA

△ Nomenclature
命名法
DX07518S***N*****
MODIFICATION CODE
CABLE SPEC(2)
K:Gen1 3A
N:Gen2 5A
CABLE LENGTH
10:1 meter
20:2 meter
COLOR OF CABLE
S:BLACK(PVC)
CABLE SPEC(1)
18:USB3.1 C to C
MODIFICATION CODE
5:PLUG
SERIES

NOTE1. CIRCUIT SCHEMATIC OF PADDLE CARD IS SHOWN IN TABLE1.
2. THIS CABLE ASSEMBLY IS FOR "USB3.1 TYPE-C TO TYPE-C" SPEC.
3. USB VERSION AND USB LOGO VERSION ARE SHOWN IN TABLE2.
4. LOT NUMBER IS MARKED BETWEEN EACH OUTER MOLD.
△ 5. 100% OPEN,SHORT & MIS-WIRE TEST.

8	CABLE	1	PVC(JACKET)	—	COLOR:BLACK
7	OUTER MOLD	2	PVC	—	COLOR:BLACK
6	INNER MOLD	2	PA	—	—
5	AUXILIARY MEMBERS	—	HEAT RESISTING TAPE, ADHESIVE, ETC	—	—
4	LOCATOR	2	GLASS FILLED NYLON	—	—
3	BACK SHELL	4	STAINLESS STEEL	—	—
2	PADDLE CARD	2	GLASS-CLOTH FILLED EPOXY MULTILAYER	—	—
1	DX07P024AJ5	2	—	—	SJ118710
符号 NO.	名称 DESCRIPTION	個数 QTY.	材料 MATERIAL	仕上 FINISH	備考 REMARKS
仕様書(SPECIFICATION)		第1版(ORIGINAL DATE)		尺度(SCALE)	シリーズ(SERIES)
JACS-40186		1.Jun.2017		1:1	DX07
公差(GENERAL TOLERANCE)		製図 DR.		名称(TITLE)	
寸法(DIMENSION)		担当 CHK.		JAPAN AVIATION ELECTRONICS INDUSTRY, LTD.	
角度(ANGLES)		査閲 APPD.		DX07518S***18747	
. ±		承認 APPD.		図面番号(DRAWING NO.)	
.X ±		承認 APPD.		SJ118747	
.XX ±		承認 APPD.		質量(MASS)	
.XXX ±		承認 APPD.		単位(UNIT):mm	