



Chipsmall Limited consists of a professional team with an average of over 10 year of expertise in the distribution of electronic components. Based in Hongkong, we have already established firm and mutual-benefit business relationships with customers from,Europe,America and south Asia,supplying obsolete and hard-to-find components to meet their specific needs.

With the principle of “Quality Parts,Customers Priority,Honest Operation,and Considerate Service”,our business mainly focus on the distribution of electronic components. Line cards we deal with include Microchip,ALPS,ROHM,Xilinx,Pulse,ON,Everlight and Freescale. Main products comprise IC,Modules,Potentiometer,IC Socket,Relay,Connector.Our parts cover such applications as commercial,industrial, and automotives areas.

We are looking forward to setting up business relationship with you and hope to provide you with the best service and solution. Let us make a better world for our industry!



Contact us

Tel: +86-755-8981 8866 Fax: +86-755-8427 6832

Email & Skype: info@chipsmall.com Web: www.chipsmall.com

Address: A1208, Overseas Decoration Building, #122 Zhenhua RD., Futian, Shenzhen, China



版数 VER.	年月日 DATE	CN NO.	変更内容 DESCRIPTION	製図 DR.	担当 CHK.	査閲 APPD.	承認 APPD.

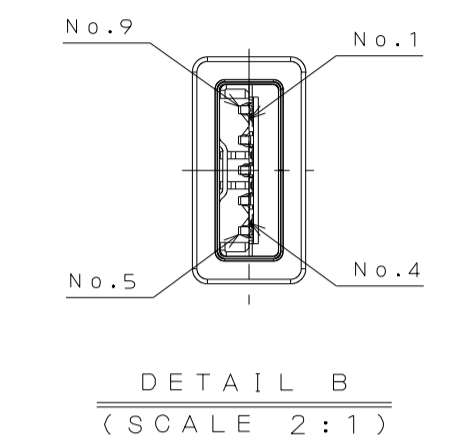
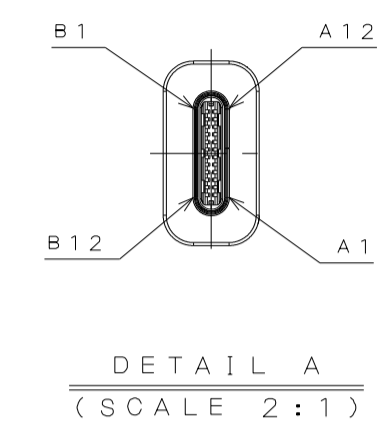
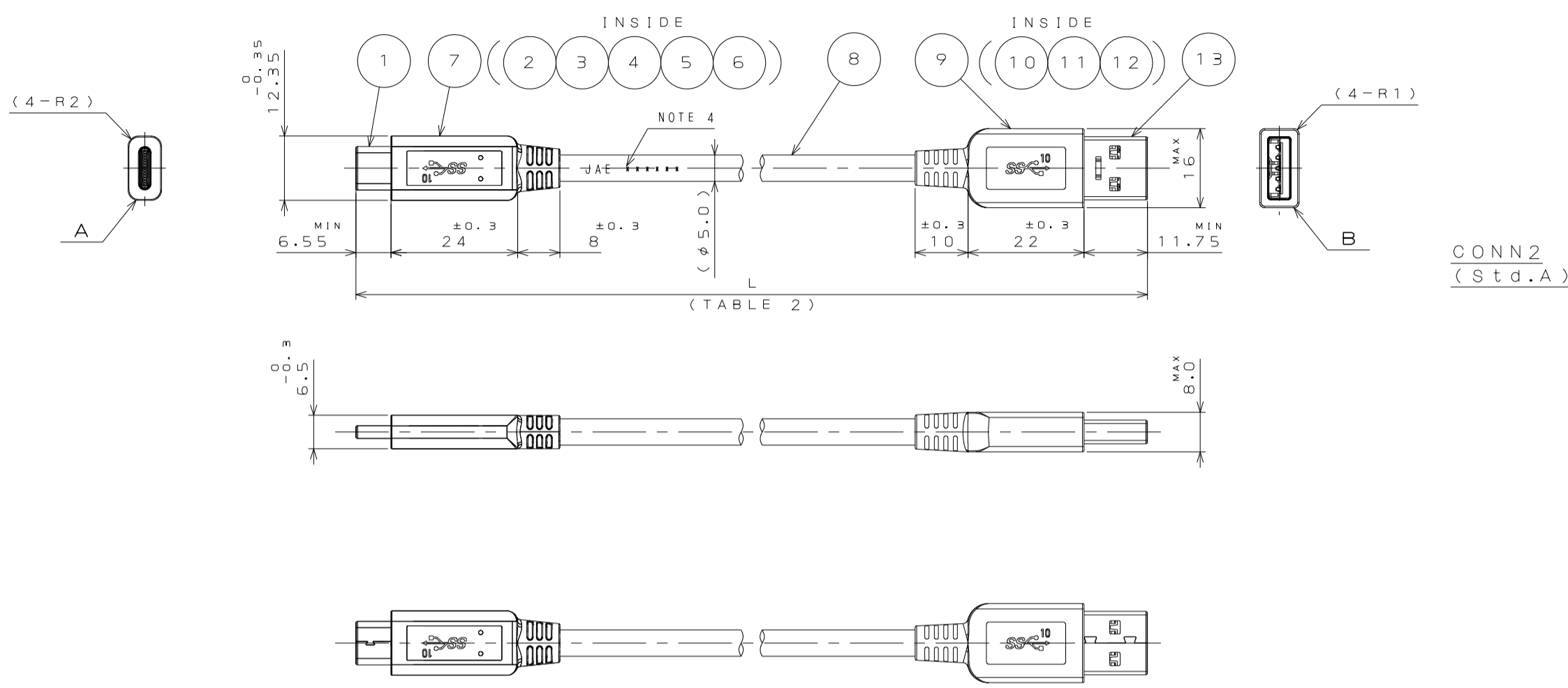


TABLE 1 (NOTE 1)

TYPE-C			WIRE AREA	STD.-A	
PIN NUMBER	SIGNAL NAME	PADDLE CARD AREA		SIGNAL NAME	PIN NUMBER
A 1	GND		V BUS	1	
A 2	SSTXp1		D n 1	2	
A 3	SSTXn1		D p 1	3	
A 4	V BUS		GND	4	
A 5	CC	56kΩ	SSRXn	5	
A 6	D p 1		SSRXp	6	
A 7	D n 1		GND	7	
A 8	SBU1		SSTXn	8	
A 9	V BUS		SSTXp	9	
A 10	SSRXn2				
A 11	SSRXp2				
A 12	GND				
B 1	GND				
B 2	SSTXp2				
B 3	SSTXn2				
B 4	V BUS				
B 5	V CONN				
B 6					
B 7					
B 8	SBU2				
B 9	V BUS				
B 10	SSRXn1	10nF			
B 11	SSRXp1				
B 12	GND				
SHELL	SHIELD		SHIELD	SHELL	

TABLE 2 (NOTE 3)

Harness Item	L (CABLE LENGTH)	USB VERSION	USB LOGO VERSION	
			TYPE-C	TYPE-A
DX07519S10L19294	1000 ±30	USB3.1 Gen2		

NOTE1. CIRCUIT SCHEMATIC OF PADDLE CARD IS SHOWN IN TABLE1.
 2. THIS CABLE ASSEMBLY IS FOR "USB3.1 TYPE-C TO STANDARD-A" SPEC.
 3. USB VERSION AND USB LOGO VERSION ARE SHOWN IN TABLE2.
 4. LOT NUMBER IS MARKED BETWEEN EACH OUTER MOLD.
 5. 100% OPEN,SHORT & MIS-WIRE TEST.

LOT No.
 6 V 7 9 0 7
 DAY
 MONTH(Oct.:0, Nov.:X, Dec.:Y)
 YEAR
 PRODUCTION AREA

Nomenclature
 命名法
 DX07519S**L*****
 MODIFICATION CODE
 CABLE SPEC(2)
 L:Gen2 3A
 CABLE LENGTH
 10:1 meter
 COLOR OF CABLE
 S:BLACK(PVC)
 CABLE SPEC(1)
 19:USB3.1 C to A
 MODIFICATION CODE
 5:PLUG
 SERIES

13	USB3.1 STD.A-01	1			
12	LOCATOR	1	GLASS FILLED NYLON		
11	INNER MOLD	1	PA		
10	AUXILIARY MEMBERS		ADHESIVE, ETC		
9	OUTER MOLD	1	PVC		COLOR:BLACK
8	CABLE	1	PVC(JACKET)		COLOR:BLACK
7	OUTER MOLD	1	PVC		COLOR:BLACK
6	INNER MOLD	1	PA		
5	AUXILIARY MEMBERS		HEAT RESISTING TAPE, ADHESIVE, ETC		
4	LOCATOR	1	GLASS FILLED NYLON		
3	BACK SHELL	2	STAINLESS STEEL		
2	PADDLE CARD	1	GLASS-CLOTH FILLED EPOXY MULTILAYER		
1	DX07P024AJ5	1			SJ118710

符号 NO.	名称 DESCRIPTION	個数 QTY.	材料 MATERIAL	仕上 FINISH	備考 REMARKS
JACS-40187					
仕様書(SPECIFICATION)		第1版(ORIGINAL DATE)		尺(SCALE)	
JACS-40187		13.Sep.2017		1:1	
公差(GENERAL TOLERANCE)		製図 DR.		名称(TITLE)	
寸法(DIMENSION)		担当 CHK.		DX07519S***19294	
. ±		M.KIMURA		JAE	
.X ±		承認 APPD.		JAPAN AVIATION ELECTRONICS INDUSTRY, LTD.	
.XX ±		承認 APPD.		N.ANDOU	
.XXX ±		承認 APPD.		N.ANDOU	
単位(UNIT):mm		質量(MASS)		図面番号(DRAWING NO.)	
				SJ119294	