



Chipsmall Limited consists of a professional team with an average of over 10 year of expertise in the distribution of electronic components. Based in Hongkong, we have already established firm and mutual-benefit business relationships with customers from,Europe,America and south Asia,supplying obsolete and hard-to-find components to meet their specific needs.

With the principle of “Quality Parts,Customers Priority,Honest Operation,and Considerate Service”,our business mainly focus on the distribution of electronic components. Line cards we deal with include Microchip,ALPS,ROHM,Xilinx,Pulse,ON,Everlight and Freescale. Main products comprise IC,Modules,Potentiometer,IC Socket,Relay,Connector.Our parts cover such applications as commercial,industrial, and automotives areas.

We are looking forward to setting up business relationship with you and hope to provide you with the best service and solution. Let us make a better world for our industry!



## Contact us

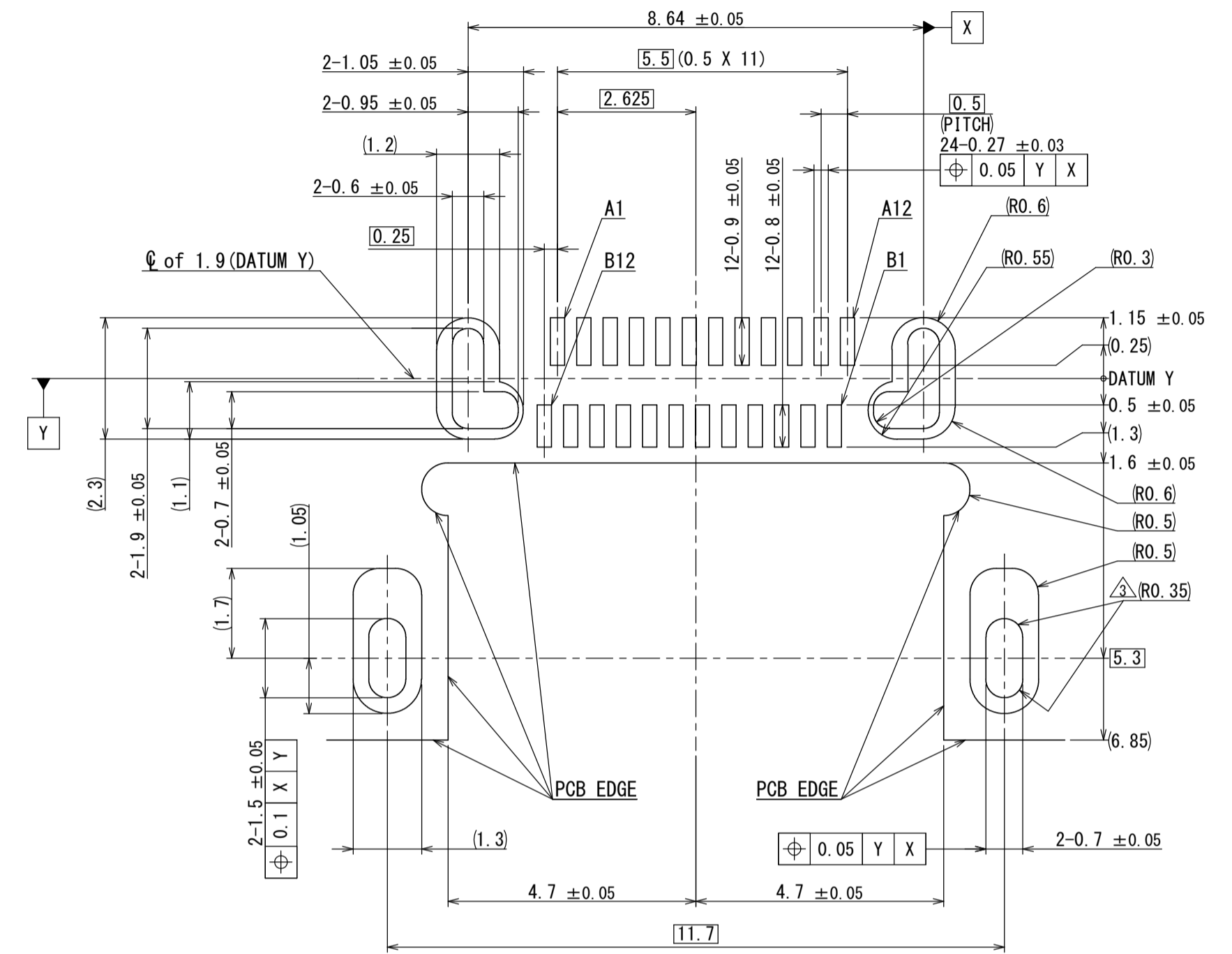
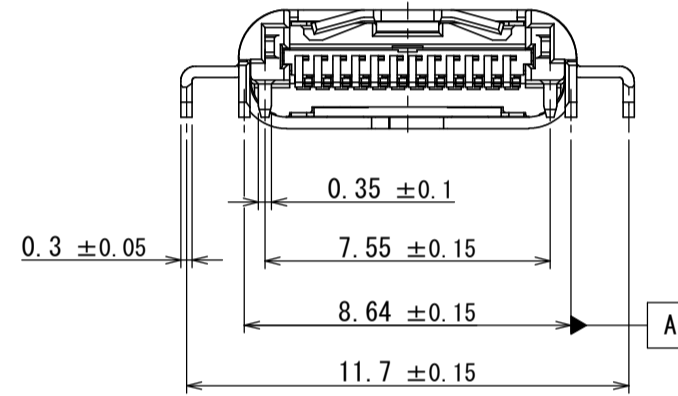
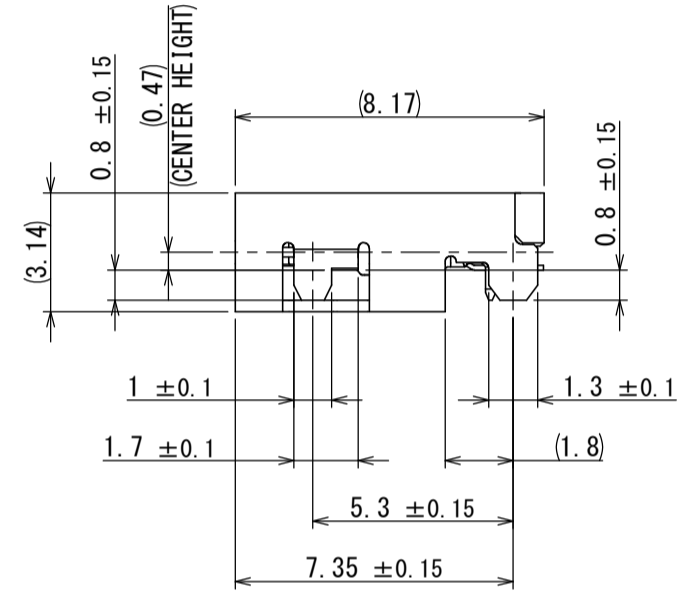
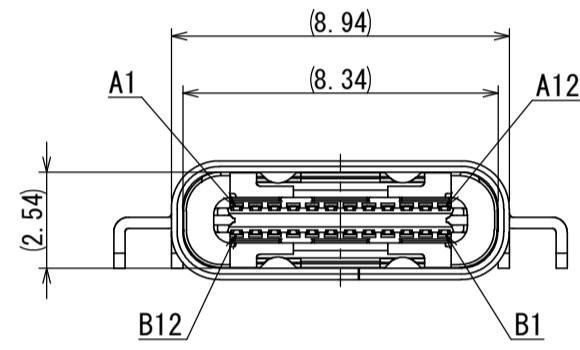
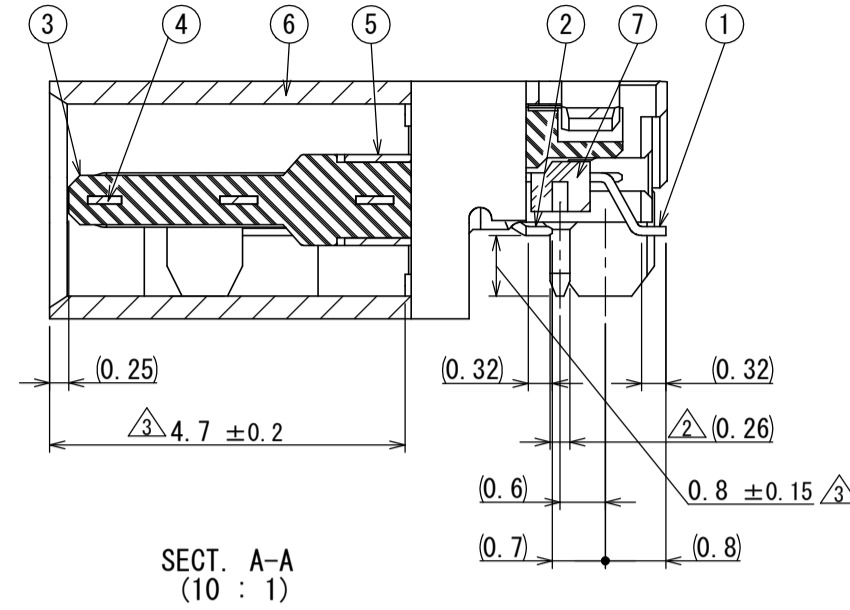
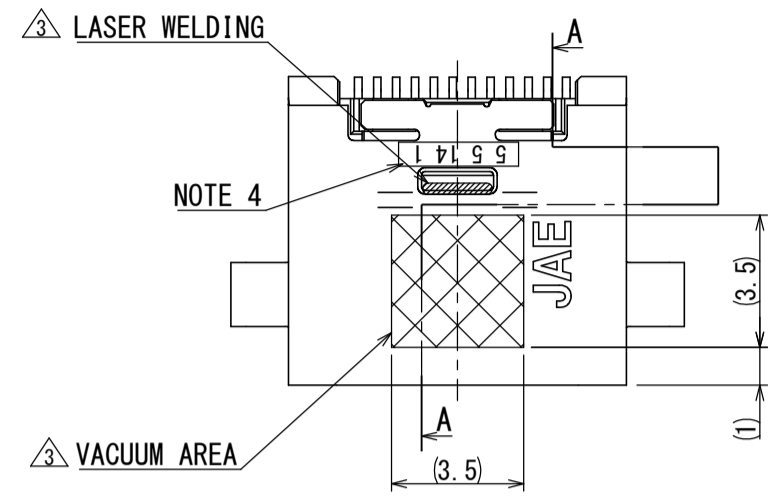
Tel: +86-755-8981 8866 Fax: +86-755-8427 6832

Email & Skype: info@chipsmall.com Web: www.chipsmall.com

Address: A1208, Overseas Decoration Building, #122 Zhenhua RD., Futian, Shenzhen, China

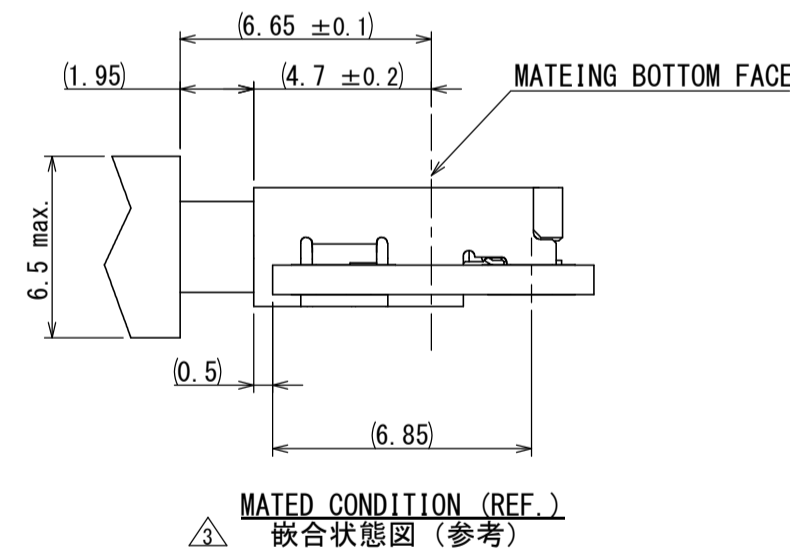
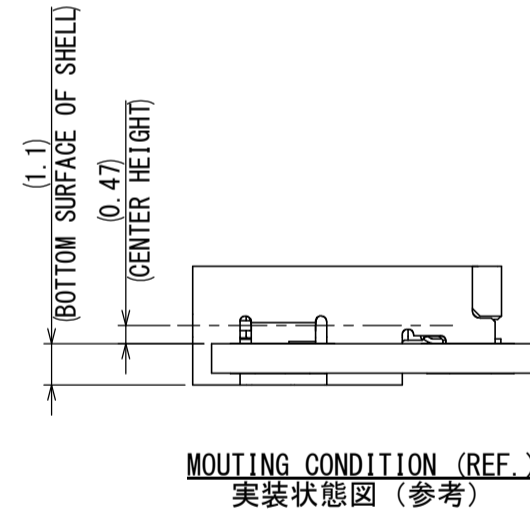
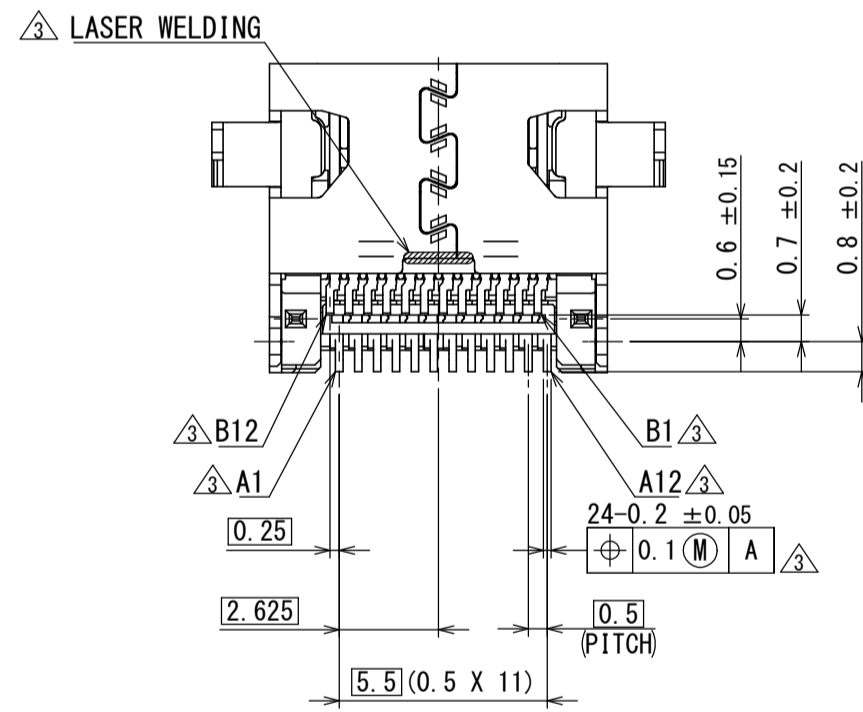


| 版数<br>VER. | 年月日<br>DATE | CN NO. | 変更内容<br>DESCRIPTION | 製図<br>DR. | 担当<br>CHK. | 査閲<br>APPD. | 承認<br>APPD. |
|------------|-------------|--------|---------------------|-----------|------------|-------------|-------------|
| 2          | 25/JUN/2015 | 013535 | ADDED DIMENSION     | K. SAITOU | K. UEDA    | —           | Y. SAITOU   |
| 3          | 07/JAN/2016 | 015856 | ADDED NOTE etc.     |           | K. SAITOU  | —           | Y. SAITOU   |



CONNECTOR MOUNTING SURFACE SIDE VIEW

APPLICABLE P.C.B DIMENSION (REF.)  
適合基板寸法 (参考)



NOTE 1. THIS PRODUCT IS HALOGEN-FREE PRODUCT.  
NOTE 2. COPLANARITY OF SMT TERMINAL IS 0.1 MAX.  
NOTE 3. THE SHELL LENGTH IS LESS THAN THE MINIMUM REFERENCES IN THE USB TYPE C STANDARD.  
AS SUCH THE SYSTEM IMPLEMENTER IS RESPONSIBLE FOR ACHIEVING PRODUCT RELIABILITY.  
THAT THE CONNECTOR BE MOUNTED SUCH THAT ALL FUNCTIONAL USB REQUIREMENTS ARE MET.  
NOTE 4. LOT NUMBER IS MARKED AS INDICATED.

(EX) 5 5 14 1  
YEAR MONTH DAY EQUIPMENT No. (NUMBER OR ALPHABET)  
(END OF ONE DIGIT AT CHRISTIAN ERA)  
(JAN. TO SEP.: 1 TO 9, OCT.: 0, NOV.: X, DEC.: Y)  
(TWO-DIGITS NUMBER)

NOTE 5. PIN ASSIGNMENT (FRONT VIEW)

| Pin No. | A1  | A2   | A3   | A4               | A5   | A6 | A7 | A8   | A9               | A10  | A11  | A12 |
|---------|-----|------|------|------------------|------|----|----|------|------------------|------|------|-----|
|         | GND | TX1+ | TX1- | V <sub>BUS</sub> | CC1  | D+ | D- | SBU1 | V <sub>BUS</sub> | RX2- | RX2+ | GND |
| Pin No. | B12 | B11  | B10  | B9               | B8   | B7 | B6 | B5   | B4               | B3   | B2   | B1  |
|         | GND | RX1+ | RX1- | V <sub>BUS</sub> | SBU2 | D- | D+ | CC2  | V <sub>BUS</sub> | TX2- | TX2+ | GND |

TABLE 1. CONTACT PLATING

|              | FINISH                                       | PLATING THICKNESS   |
|--------------|--|---|
| CONTACT AREA | GOLD FLASH OVER PALLADIUM-NICKEL OVER NICKEL | NICKEL: 2 μm MIN.<br>PALLADIUM-NICKEL: 0.75 μm MIN.<br>GOLD FLASH: 0.05 μm MIN. |
| SOLDER TALES | GOLD FLASH OVER NICKEL                       | NICKEL: 2 μm MIN.<br>GOLD FLASH: 0.03 μm MIN.                                   |

| 符号<br>NO. | 名称<br>DESCRIPTION | 個数<br>QTY. | 材料<br>MATERIAL         | 仕上<br>FINISH   | 備考<br>REMARKS |
|-----------|-------------------|------------|------------------------|----------------|---------------|
| 7         | INSULATOR 2       | 1          | HEAT RESISTING PLASTIC | COLOR:BLACK    |               |
| 6         | SHELL             | 1          | STAINLESS STEEL        | NICKEL PLATING |               |
| 5         | GND PLATE         | 2          | STAINLESS STEEL        | NICKEL PLATING |               |
| 4         | MID PLATE         | 1          | STAINLESS STEEL        | NICKEL PLATING |               |
| 3         | INSULATOR 1       | 1          | HEAT RESISTING PLASTIC | COLOR:BLACK    |               |
| 2         | CONTACT B         | 12         | COPPER ALLOY           | TABLE 1        |               |
| 1         | CONTACT A         | 12         | COPPER ALLOY           | TABLE 1        |               |

|   |                                    |                           |                                |
|---|------------------------------------|---------------------------|--------------------------------|
| 仕様書 (SPECIFICATION)<br>JACS-30353<br>JAH-30353-1                            | 第1版 (ORIGINAL DATE)<br>14/MAY/2015 | 尺度 (SCALE)<br>5:1         | シリーズ (SERIES)<br>DX07          |
| 製図 DR.<br>K. UEDA   | 担当 CHK.<br>Y. SAITOU               | 名称 (TITLE)<br>DX07B024JJ2 | 製図 DR.<br>K. SAITOU            |
| 一般公差 (GENERAL TOLERANCE)<br>寸法 (DIMENSION):<br>× ± 0.4<br>×× ± 0.1<br>××× ± | 角度 (ANGLES):<br>×° ±<br>×°' ±      | 質量 (MASS)                 | 図面番号 (DRAWING NO.)<br>SJ115996 |
| JAE-CONNECTOR.COM<br>JAPAN AVIATION ELECTRONICS INDUSTRY, LTD.              |                                    |                           | 版数 (VER.)<br>3                 |