



Chipsmall Limited consists of a professional team with an average of over 10 year of expertise in the distribution of electronic components. Based in Hongkong, we have already established firm and mutual-benefit business relationships with customers from,Europe,America and south Asia,supplying obsolete and hard-to-find components to meet their specific needs.

With the principle of “Quality Parts,Customers Priority,Honest Operation,and Considerate Service”,our business mainly focus on the distribution of electronic components. Line cards we deal with include Microchip,ALPS,ROHM,Xilinx,Pulse,ON,Everlight and Freescale. Main products comprise IC,Modules,Potentiometer,IC Socket,Relay,Connector.Our parts cover such applications as commercial,industrial, and automotives areas.

We are looking forward to setting up business relationship with you and hope to provide you with the best service and solution. Let us make a better world for our industry!



Contact us

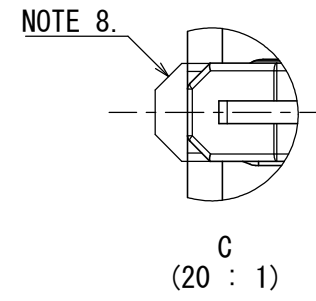
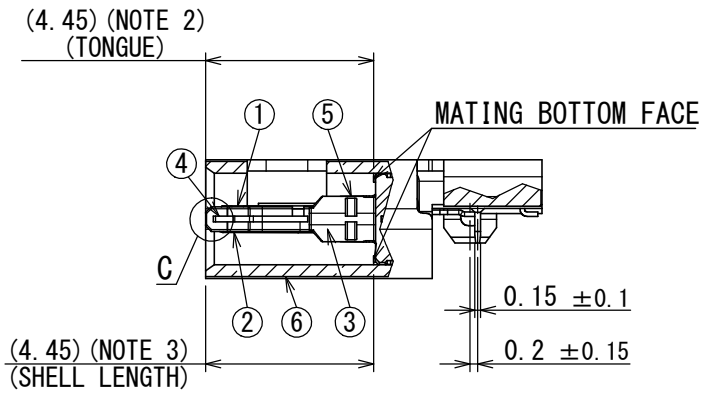
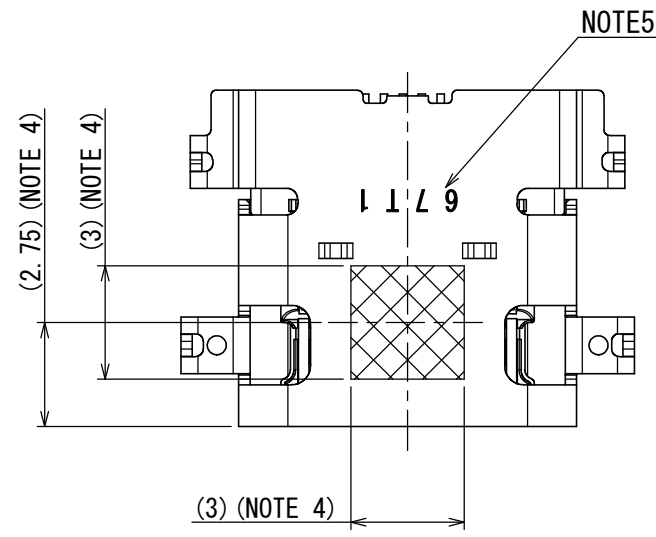
Tel: +86-755-8981 8866 Fax: +86-755-8427 6832

Email & Skype: info@chipsmall.com Web: www.chipsmall.com

Address: A1208, Overseas Decoration Building, #122 Zhenhua RD., Futian, Shenzhen, China



版数 VER.	年月日 DATE	図 NO.	変更内容 DESCRIPTION	製 DR.	担 CHK.	査 APPD.	承認 APPD.
2	04/JAN/2017	019861	CORRECTION OF ERRONEOUS DESCRIPTION		T. KUROSAWA	H. OOTANI	M. KIKUCHI

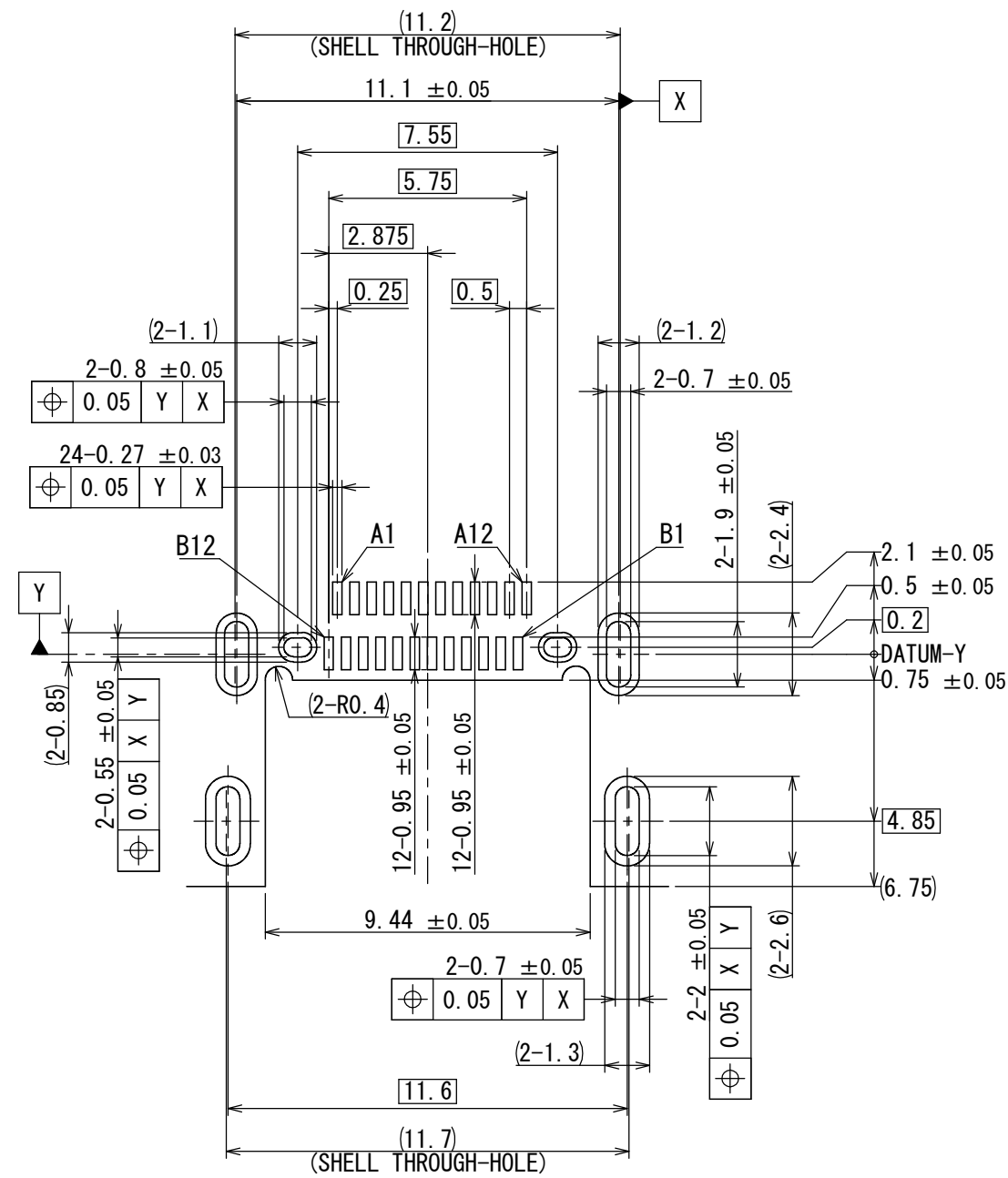
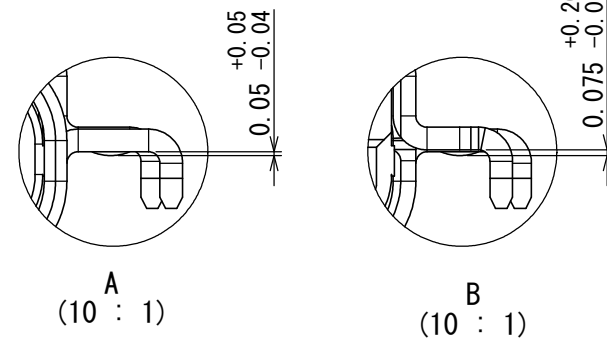
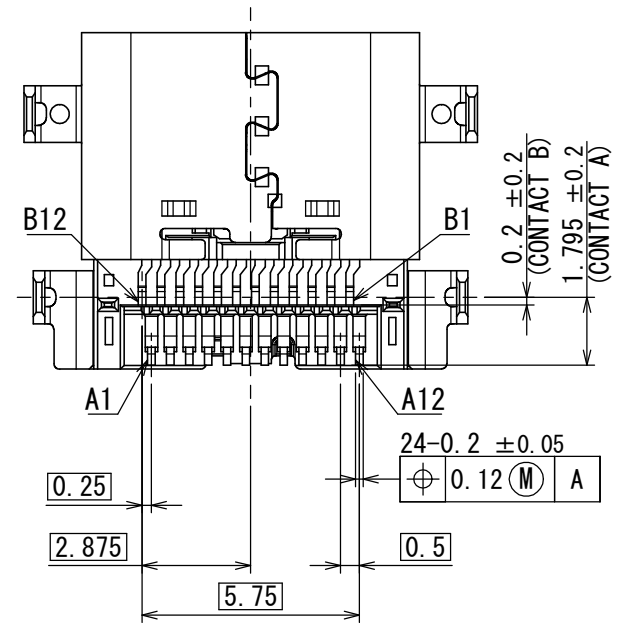
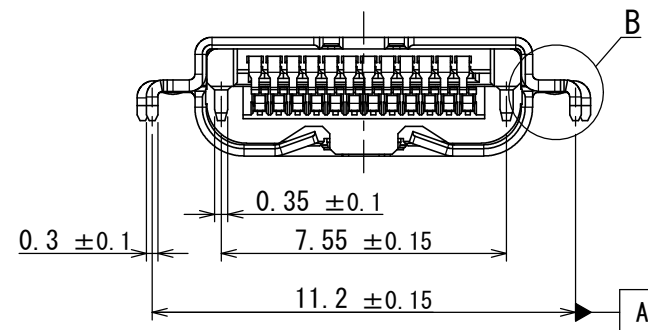
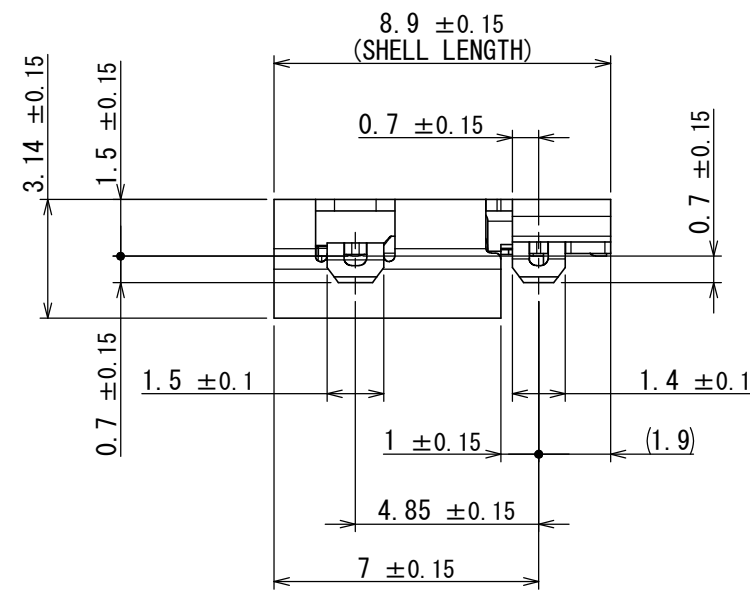
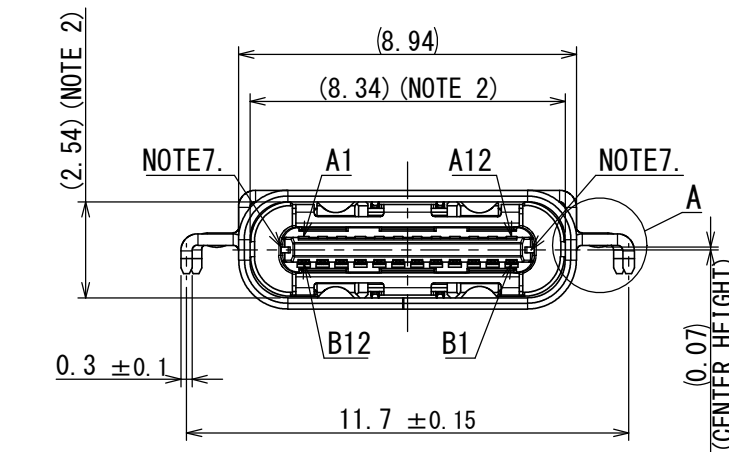


- NOTE 1. COPLANARITY OF SMT TERMINAL BE 0.1 MAXIMUM.
 NOTE 2. MATING DIMENSIONS CONSIST OF "Universal Serial Bus Type-C Cable and Connector Specification Revision 1.2"
 NOTE 3. THE SHELL LENGTH IS LESS THAN THE MINIMUM SPECIFIED BY THE USB TYPE C STANDARD. AS SUCH IT CANNOT INDEPENDENTLY BE GUARANTEED TO MEET ALL TYPE C MECHANICAL REQUIREMENTS. THE SYSTEM IMPLEMENTER IS RESPONSIBLE FOR ACHIEVING PRODUCT RELIABILITY AND PASSING USB COMPLIANCE TESTING. REFERENCE THE USB TYPE C SPECIFICATION RELEASE 1.2, SECTION 3.2.1, NOTE 7.
 NOTE 4. VACUUM AREA.
 NOTE 5. LOT NO. IS MARKED AS SHOWN IN BELOW TABLE.

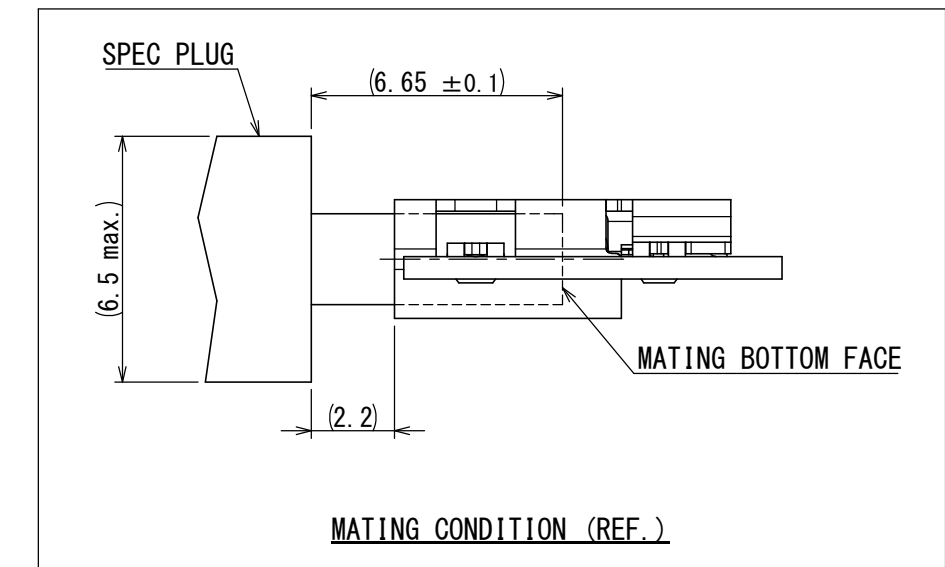
YEAR(1 DIGIT)	MONTH(1 DIGIT)	DAY(1 DIGIT)						LINE(1 DIGIT)					
YEAR	MARKING	月	MARKING	DAY	MARKING	DAY	MARKING	DAY	MARKING	DAY	MARKING	LINE	MARKING
2016	6	1	1	1	1	11	B	21	M	31	Y	Manual	0
2017	7	2	2	2	2	12	C	22	N			1	1
2018	8			3	3	13	D	23	P			2	2
2019	9			4	4	14	E	24	Q				
2020	0			5	5	15	F	25	R				
2021	1			6	6	16	G	26	S			9	9
2022	2	9	9	7	7	17	H	27	T				
2023	3	10	A	8	8	18	J	28	U				
2024	4	11	B	9	9	19	K	29	V				
2025	5	12	C	10	A	20	L	30	X				

- NOTE 6. THIS PRODUCT IS HALOGEN-FREE.
 NOTE 7. METAL EXPOSED AREA SIZE COULD BE SLIGHTLY CHANGED BASED ON MOLDING PROCESS CONDITION IN EACH LOT. HOWEVER THIS WOULD NOT AFFECT CONNECTOR FUNCTION.
 NOTE 8. INSERT MOLD PART MIGHT PROTRUDE FROM SHELL EDGE, WITHIN TOLERANCE RANGE
 NOTE 9. PIN ASSIGNMENT (FRONT VIEW)

Pin No.	A1	A2	A3	A4	A5	A6	A7	A8	A9	A10	A11	A12
	GND	TX1+	TX1-	V _{BUS}	CC1	D+	D-	SBU1	V _{BUS}	RX2-	RX2+	GND
Pin No.	B12	B11	B10	B9	B8	B7	B6	B5	B4	B3	B2	B1
	GND	RX1+	RX1-	V _{BUS}	SBU2	D-	D+	CC2	V _{BUS}	TX2-	TX2+	GND



Surface View from Connector Mounting Sid
 APPLICABLE P. C. B DIMENSION (REF.)



6	SHELL	1	STAINLESS STEEL	NICKEL PLATING	
5	GND PLATE	2	STAINLESS STEEL	NICKEL PLATING	
4	MID PLATE	1	STAINLESS STEEL	NICKEL PLATING	
3	INSERT MOLD	1	HEAT RESISTING PLASTIC		COLOR:BLACK
2	CONTACT B	12	COPPER ALLOY	CONTACT AREA: GOLD FLASH OVER PALLADIUM-NICKEL OVER NICKEL	CONTACT AREA: NICKEL: 2 μm MIN PALLADIUM-NICKEL: 0.75 μm MIN GOLD FLASH: 0.05 μm MIN
1	CONTACT A	12	COPPER ALLOY	SOLDER TAILS: GOLD FLASH OVER NICKEL	SOLDER TAILS: NICKEL: 1 μm MIN GOLD FLASH: 0.03 μm MIN

仕様書 (SPECIFICATION)	第1版 (ORIGINAL DATE)	尺度 (SCALE)	シリーズ (SERIES)
JACS-30353 JAH-30353-1	06/JUL/2016	5:1	DX07
一般公差 (GENERAL TOLERANCE)	製図 (DRAWING)	名称 (TITLE)	備考 (REMARKS)
寸法 (DIMENSION): ±0.8 × ±0.4 ×× ±0.1 ××× ±	担当 (CHK.): T. KUROSAWA 査閲 (APPD.): H. OOTANI 承認 (APPD.): M. KIKUCHI	DX07B024JJ3	
角度 (ANGLES): ° ± ' ±	単位 (UNIT): mm	質量 (MASS)	