



Chipsmall Limited consists of a professional team with an average of over 10 year of expertise in the distribution of electronic components. Based in Hongkong, we have already established firm and mutual-benefit business relationships with customers from,Europe,America and south Asia,supplying obsolete and hard-to-find components to meet their specific needs.

With the principle of "Quality Parts,Customers Priority,Honest Operation,and Considerate Service",our business mainly focus on the distribution of electronic components. Line cards we deal with include Microchip,ALPS,ROHM,Xilinx,Pulse,ON,Everlight and Freescale. Main products comprise IC,Modules,Potentiometer,IC Socket,Relay,Connector.Our parts cover such applications as commercial,industrial, and automotives areas.

We are looking forward to setting up business relationship with you and hope to provide you with the best service and solution. Let us make a better world for our industry!



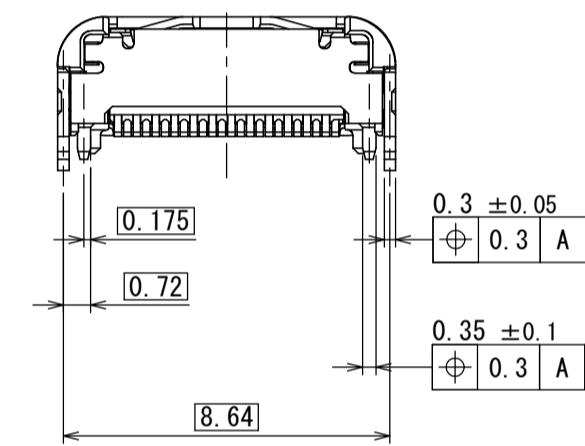
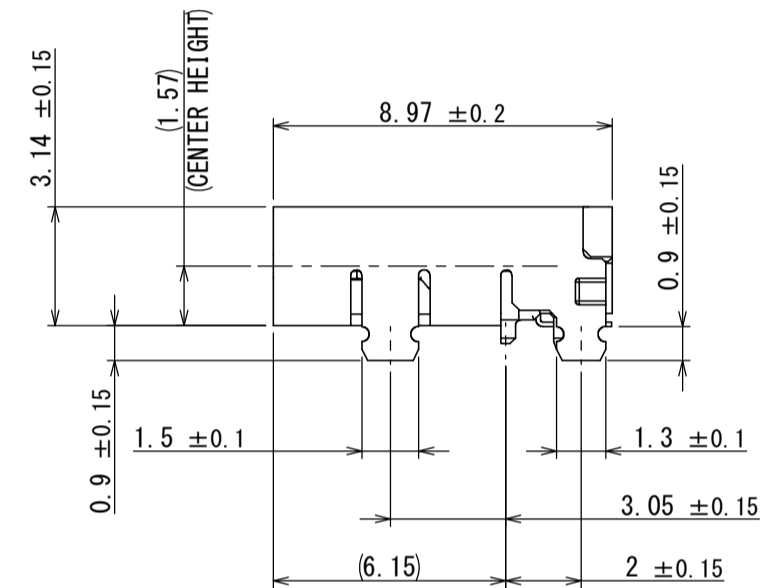
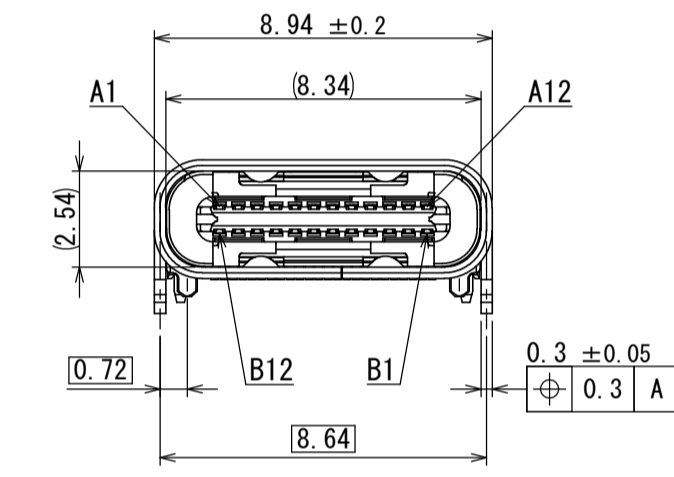
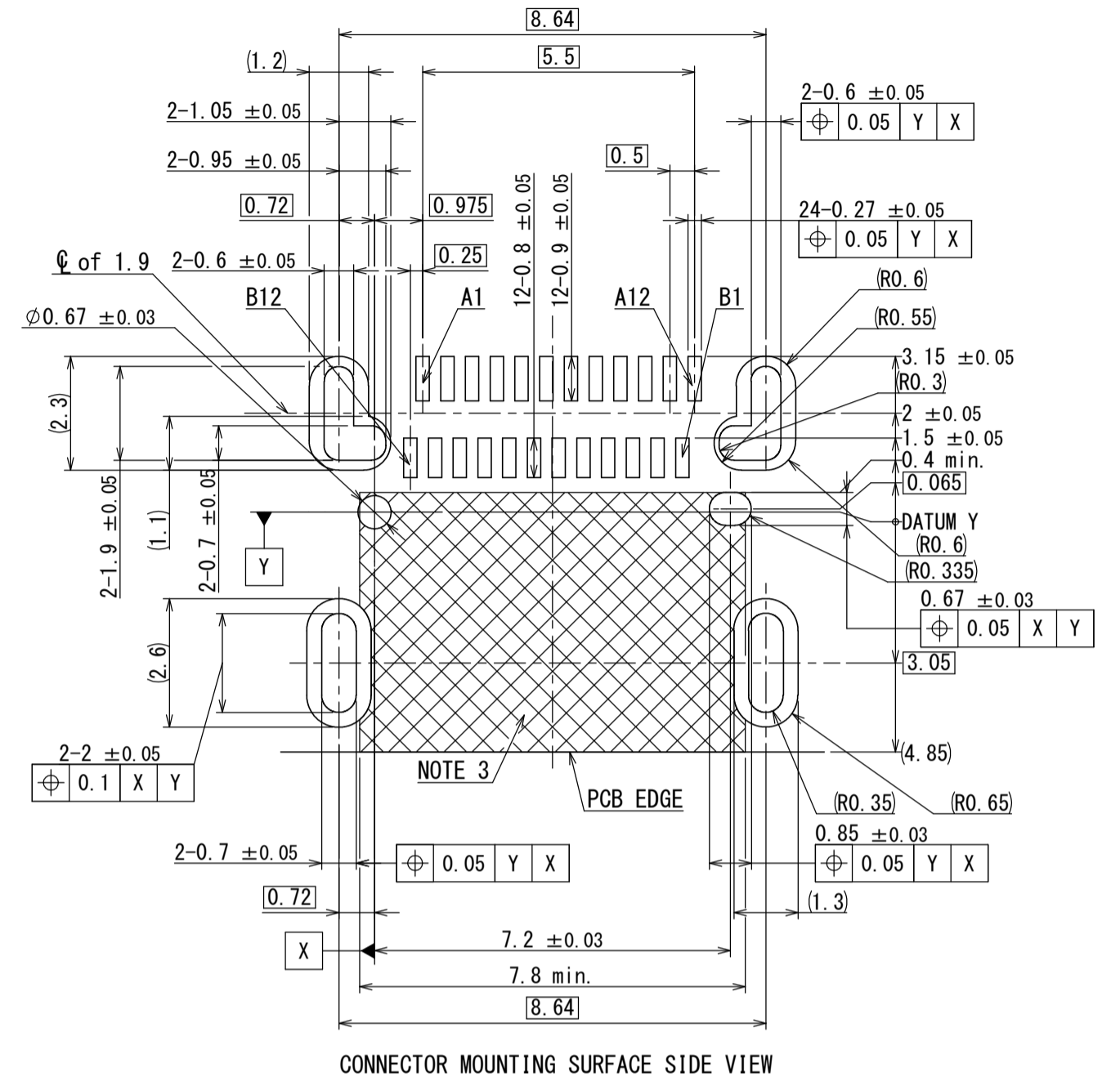
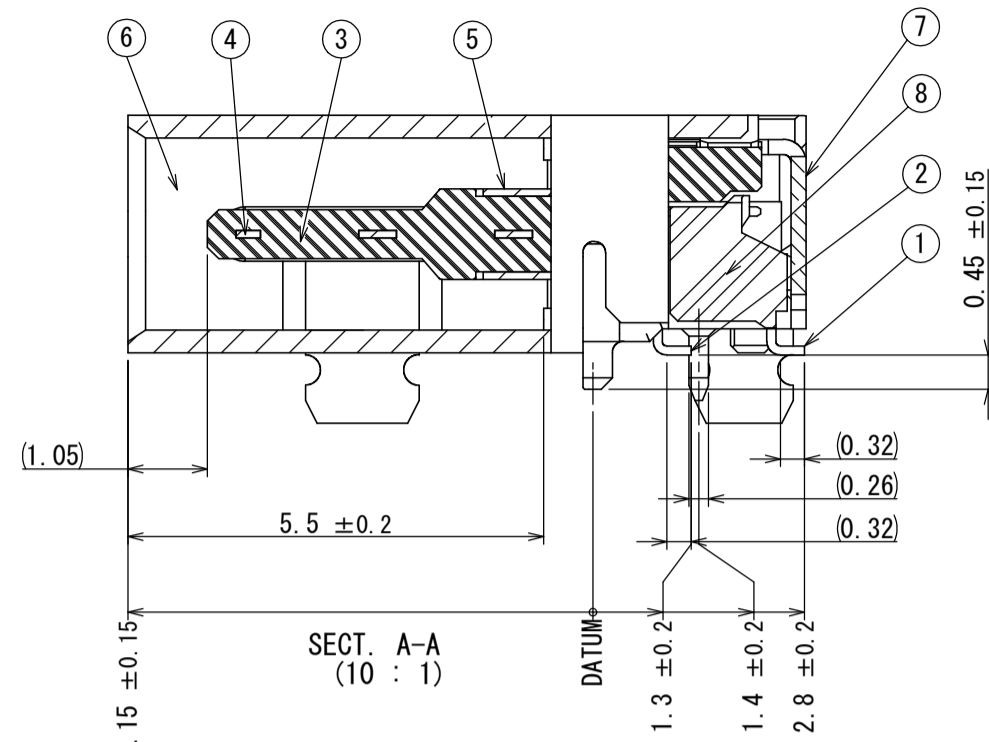
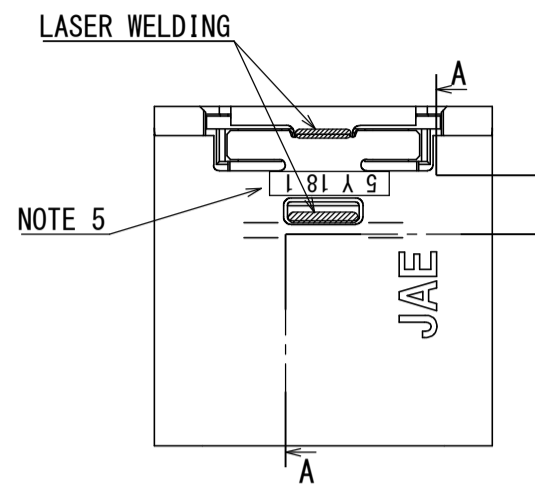
## Contact us

Tel: +86-755-8981 8866 Fax: +86-755-8427 6832

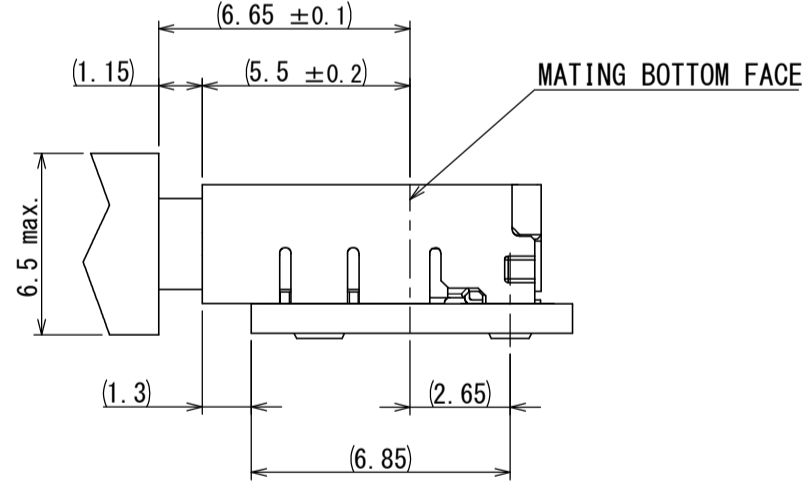
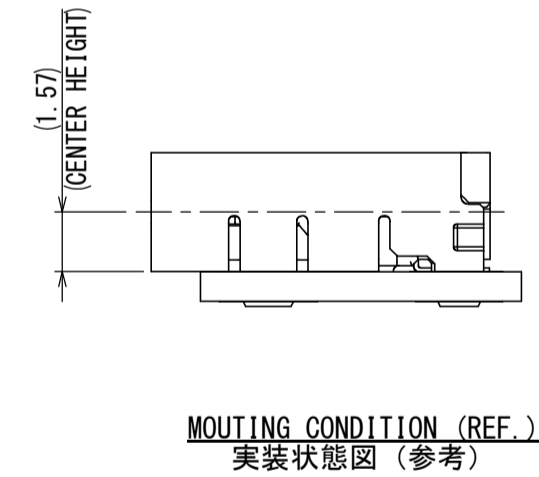
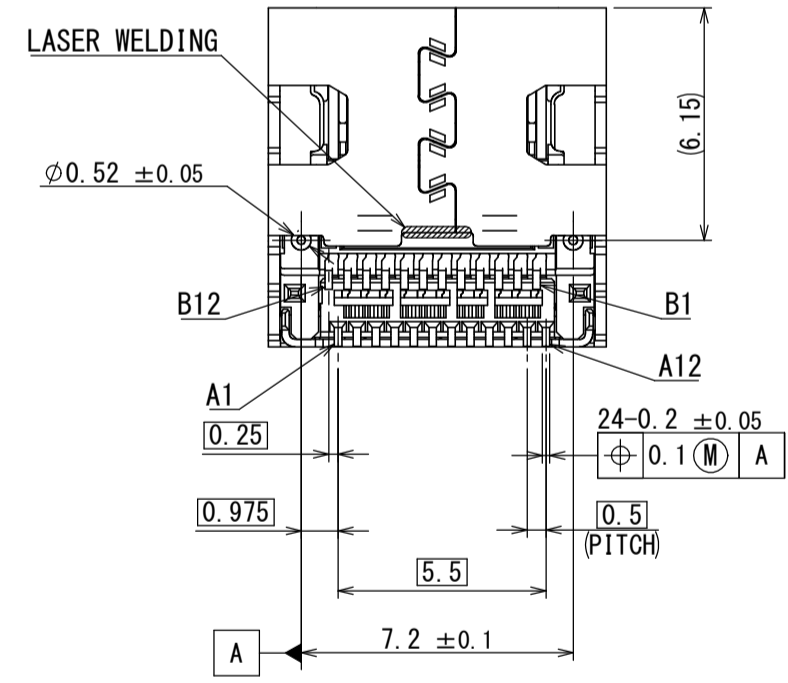
Email & Skype: info@chipsmall.com Web: www.chipsmall.com

Address: A1208, Overseas Decoration Building, #122 Zhenhua RD., Futian, Shenzhen, China





CONNECTOR MOUNTING SURFACE SIDE VIEW  
APPLICABLE P.C.B DIMENSION (REF.)  
適合基板寸法 (参考)



MOUNTING CONDITION (REF.)  
実装状態図 (参考)

MATED CONDITION (REF.)  
嵌合状態図 (参考)

TABLE 1. CONTACT PLATING

	FINISH	PLATING THICKNESS
CONTACT AREA	GOLD FLASH OVER PALLADIUM-NICKEL OVER NICKEL	NICKEL: 2 μm MIN. PALLADIUM-NICKEL: 0.75 μm MIN. GOLD FLASH: 0.05 μm MIN.
SOLDER TAILS	GOLD FLASH OVER NICKEL	NICKEL: 2 μm MIN. GOLD FLASH: 0.03 μm MIN.

NOTE 1. THIS PRODUCT IS HALOGEN-FREE PRODUCT.  
NOTE 2. COPLANARITY OF SMT TERMINAL IS 0.1 MAX.  
NOTE 3. NO PCB ROUTING ALLOWED IN THIS AREA.  
NOTE 4. THE SHELL LENGTH IS LESS THAN THE MINIMUM REFERENCES IN THE USB TYPE C STANDARD. AS SUCH THE SYSTEM IMPLEMENTER IS RESPONSIBLE FOR ACHIEVING PRODUCT RELIABILITY. THAT THE CONNECTOR BE MOUNTED SUCH THAT ALL FUNCTIONAL USB REQUIREMENTS ARE MET.  
NOTE 5. LOT NUMBER IS MARKED AS INDICATED.

(EX) 5 Y 18 1  
YEAR (END OF ONE DIGIT AT CHRISTIAN ERA)  
MONTH (JAN. TO SEP.: 1 TO 9, OCT.: 0, NOV.: X, DEC.: Y)  
DAY (TWO-DIGITS NUMBER)  
EQUIPMENT No. (NUMBER OR ALPHABET)

NOTE 6. PIN ASSIGNMENT (FRONT VIEW)

Pin No.	A1	A2	A3	A4	A5	A6	A7	A8	A9	A10	A11	A12
	GND	TX1+	TX1-	V <sub>BUS</sub>	CC1	D+	D-	SBU1	V <sub>BUS</sub>	RX2-	RX2+	GND
Pin No.	B12	B11	B10	B9	B8	B7	B6	B5	B4	B3	B2	B1
	GND	RX1+	RX1-	V <sub>BUS</sub>	SBU2	D-	D+	CC2	V <sub>BUS</sub>	TX2-	TX2+	GND

符号 NO.	名称 DESCRIPTION	個数 QTY.	材料 MATERIAL	仕上 FINISH	備考 REMARKS
8	INSULATOR 2	1	HEAT RESISTING PLASTIC	COLOR:BLACK	
7	REAR SHIELD	1	STAINLESS STEEL	NICKEL PLATING	
6	SHELL	1	STAINLESS STEEL	NICKEL PLATING	
5	GND PLATE	2	STAINLESS STEEL	NICKEL PLATING	
4	MID PLATE	1	STAINLESS STEEL	NICKEL PLATING	
3	INSULATOR 1	1	HEAT RESISTING PLASTIC	COLOR:BLACK	
2	CONTACT B	12	COPPER ALLOY	TABLE 1	
1	CONTACT A	12	COPPER ALLOY	TABLE 1	

仕様書(SPECIFICATION) JACS-30353	第1版(ORIGINAL DATE) 18/DEC/2015	尺度(SCALE) 5:1	シリーズ(SERIES) DX07	日本航空電子工業株式会社
製図 DR.	担当 CHK.	名称(TITLE) DX07S024JJ4		JAE JAPAN AVIATION ELECTRONICS INDUSTRY, LTD.
一般公差(GENERAL TOLERANCE)	Y. SAITOU	質量(MASS)		
寸法(DIMENSION): ±0.8 × ±0.4 ×× ±0.1 ××× ±	角度(ANGLES): ×° ± ×°' ±	承認 APPD.	承認 APPD.	図面番号(DRAWING NO.) SJ117264
単位(UNIT): mm				版数(VER.) 1