



Chipsmall Limited consists of a professional team with an average of over 10 year of expertise in the distribution of electronic components. Based in Hongkong, we have already established firm and mutual-benefit business relationships with customers from,Europe,America and south Asia,supplying obsolete and hard-to-find components to meet their specific needs.

With the principle of “Quality Parts,Customers Priority,Honest Operation,and Considerate Service”,our business mainly focus on the distribution of electronic components. Line cards we deal with include Microchip,ALPS,ROHM,Xilinx,Pulse,ON,Everlight and Freescale. Main products comprise IC,Modules,Potentiometer,IC Socket,Relay,Connector.Our parts cover such applications as commercial,industrial, and automotives areas.

We are looking forward to setting up business relationship with you and hope to provide you with the best service and solution. Let us make a better world for our industry!



Contact us

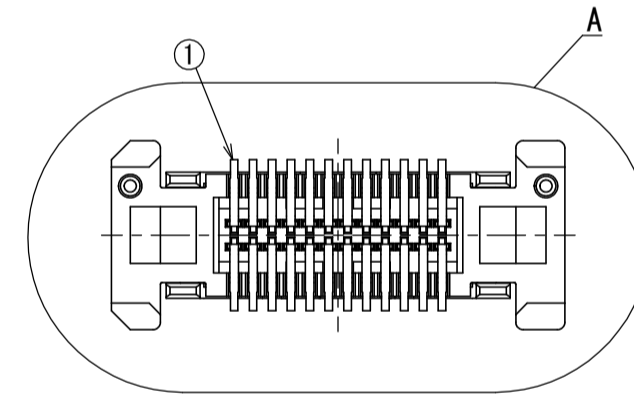
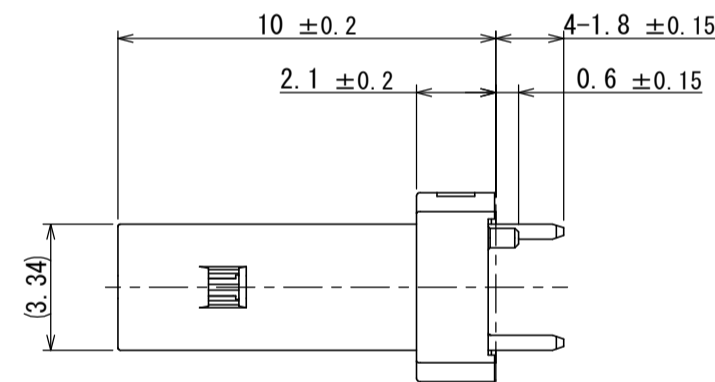
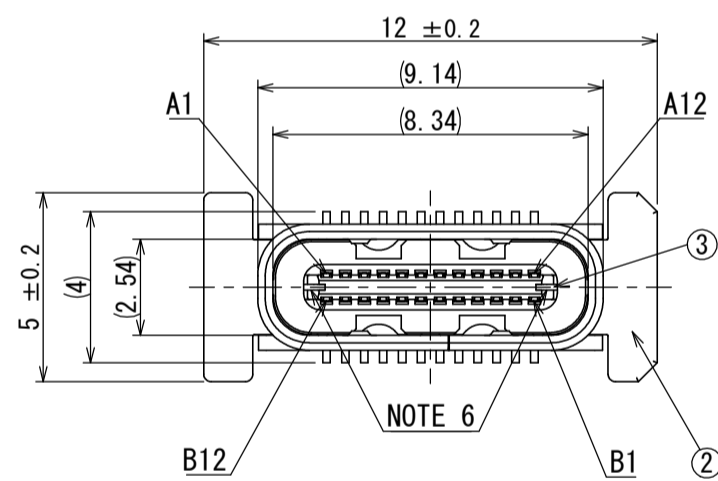
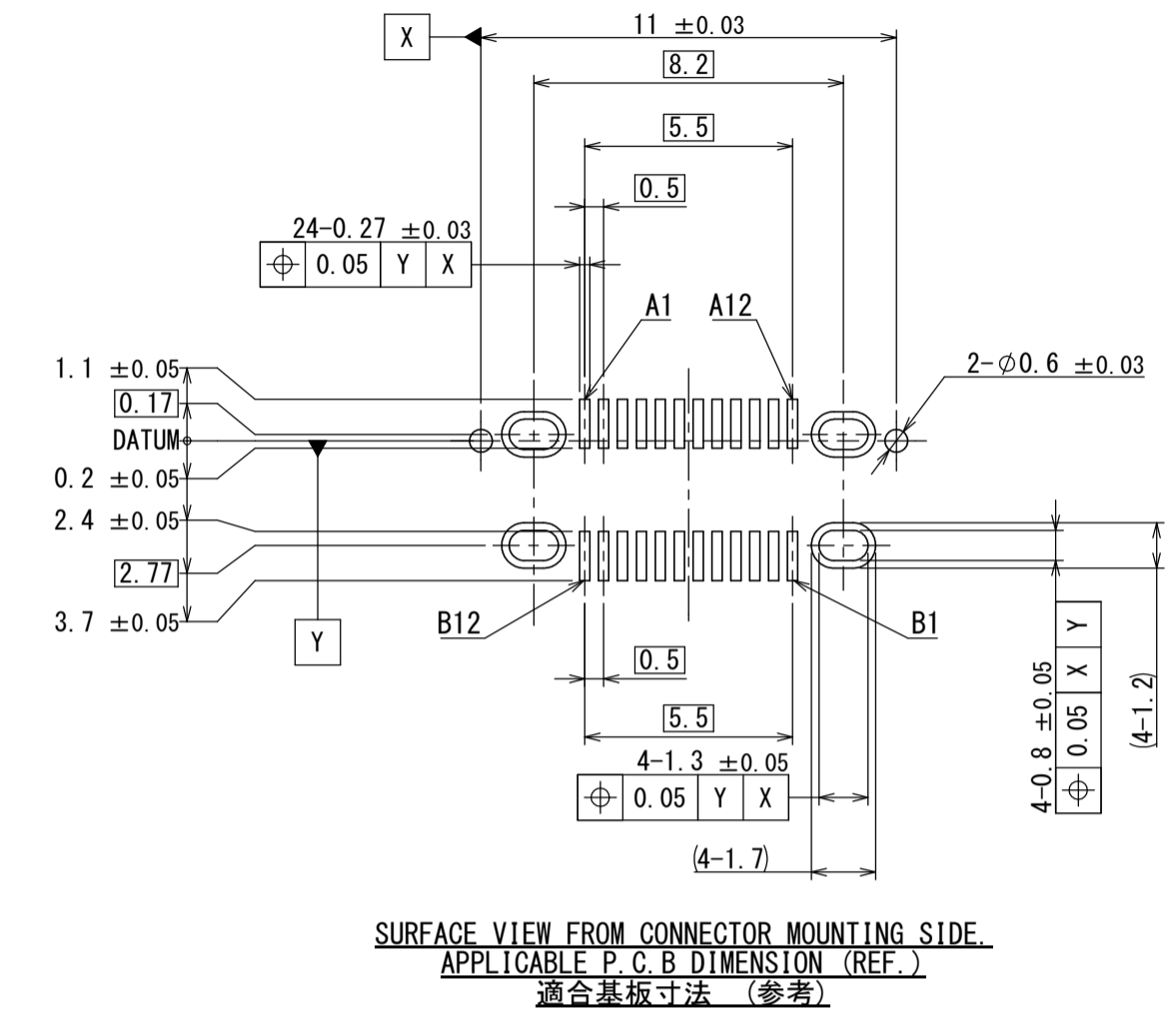
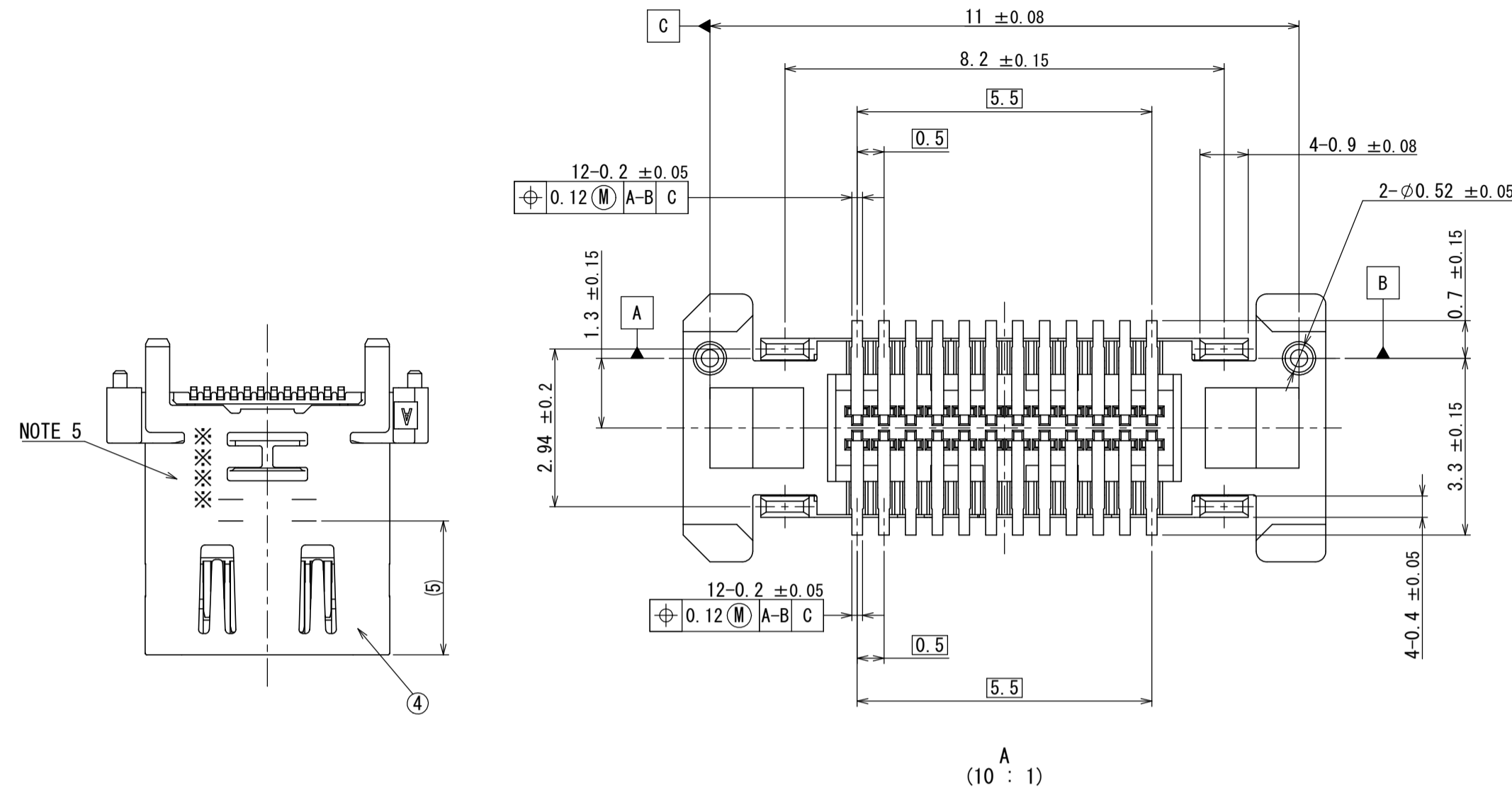
Tel: +86-755-8981 8866 Fax: +86-755-8427 6832

Email & Skype: info@chipsmall.com Web: www.chipsmall.com

Address: A1208, Overseas Decoration Building, #122 Zhenhua RD., Futian, Shenzhen, China



版数 VER.	年月日 DATE	図号 CN NO.	変更内容 DESCRIPTION	製図 DR.	担当 CHK.	査閲 APPD.	承認 APPD.
2	06/DEC/2016	019657	CORRECT AN ERROR		J. OOSAKA	—	Y. SAITOU



- NOTE 1. COPLANARITY OF SMT TERMINAL SHALL BE 0.1 MAXIMUM.
 NOTE 2. MATING DIMENSIONS CONSIST OF "Universal Serial Bus Type-C Cable and Connector Specification Revision 1.1"
 NOTE 3. THE SHELL LENGTH IS LESS THAN THE MINIMUM SPECIFIED BY THE USB TYPE C STANDARD. AS SUCH IT CANNOT INDEPENDENTLY BE GUARANTEED TO MEET ALL TYPE C MECHANICAL REQUIREMENTS. REFERENCE THE USB TYPE C SPECIFICATION RELEASE 1.1, SECTION 3.2.1, NOTE 7.
 NOTE 4. VACUUM AREA.
 NOTE 5. LOT NO. IS MARKED AS SHOWN IN BELOW FIGURE MARKING.
 (EX.) 5 Y 0 3
 -5 : MANUFACTURE YEAR. (LAST 1 DIGIT OF A.D.)
 -Y : MANUFACTURE MONTH. (JAN. TO SEP. : 1 TO 9, OCT. : 0, NOV. : X, DEC. : Y)
 -03 : MANUFACTURE DAY. (1 TO 31)
 NOTE 6. METAL EXPOSED AREA SIZE COULD BE SLIGHTLY CHANGED BASED ON MOLDING PROCESS CONDITION IN EACHLOT, HOWEVER THIS WOULD NOT AFFECT CONNECTOR FUNCTION.
 NOTE 7. PIN ASSIGNMENT (FRONT VIEW)

Pin No.	A1	A2	A3	A4	A5	A6	A7	A8	A9	A10	A11	A12
	GND	TX1+	TX1-	V _{BUS}	CC1	D+	D-	SBU1	V _{BUS}	RX2-	RX2+	GND
Pin No.	B12	B11	B10	B9	B8	B7	B6	B5	B4	B3	B2	B1
	GND	RX1+	RX1-	V _{BUS}	SBU2	D-	D+	CC2	V _{BUS}	TX2-	TX2+	GND

符号 No.	名称 DESCRIPTION	個数 QTY.	材料 MATERIAL	仕上 FINISH	備考 REMARKS
5	CAP	1	THERMOPLASTIC RESIN	COLOR:BLACK	
4	SHELL	1	STAINLESS STEEL	NICKEL PLATING	
3	MID PLATE	1	STAINLESS STEEL	-	
2	INSULATOR	1	THERMOPLASTIC RESIN	COLOR:BLACK	
1	CONTACT	24	COPPER ALLOY	CONTACT AREA NICKEL: 2 μm MIN. PALLADIUM-NICKEL: 0.75 μm MIN. GOLD FLASH: 0.05 μm MIN. SOLDER TAILS: NICKEL: 2 μm MIN. GOLD FLASH: 0.03 μm MIN.	

仕様書(SPECIFICATION) JACS-30368	第1版(ORIGINAL DATE) 30/SEP/2016	尺度(SCALE) 5:1	シリーズ(SERIES) DX07	日本航空電子工業株式会社
一般公差(GENERAL TOLERANCE)	製図 DR.	名称(TITLE) DX07S024WJ3		
寸法(DIMENSION)	担当 CHK.	査閲 APPD.		
∠ ± 0.8	Y. OOSAKA	承認 APPD.		
× ± 0.4	Y. SAITOU	単位(UNIT) : mm		
×× ± 0.1		質量(MASS)	図面番号(DRAWING NO.) SJ117928	
××× ±			版数(VER.) 2	