



Chipsmall Limited consists of a professional team with an average of over 10 year of expertise in the distribution of electronic components. Based in Hongkong, we have already established firm and mutual-benefit business relationships with customers from,Europe,America and south Asia,supplying obsolete and hard-to-find components to meet their specific needs.

With the principle of “Quality Parts,Customers Priority,Honest Operation,and Considerate Service”,our business mainly focus on the distribution of electronic components. Line cards we deal with include Microchip,ALPS,ROHM,Xilinx,Pulse,ON,Everlight and Freescale. Main products comprise IC,Modules,Potentiometer,IC Socket,Relay,Connector.Our parts cover such applications as commercial,industrial, and automotives areas.

We are looking forward to setting up business relationship with you and hope to provide you with the best service and solution. Let us make a better world for our industry!



## Contact us

Tel: +86-755-8981 8866 Fax: +86-755-8427 6832

Email & Skype: info@chipsmall.com Web: www.chipsmall.com

Address: A1208, Overseas Decoration Building, #122 Zhenhua RD., Futian, Shenzhen, China



**NEW**



Conforming to USB2.0 standard

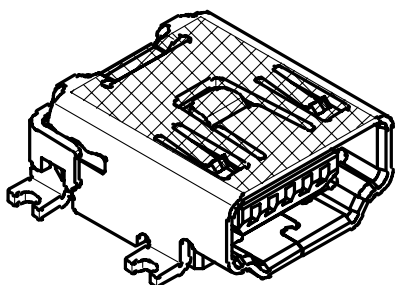
CONNECTOR

## DX1, 2, 3 Series

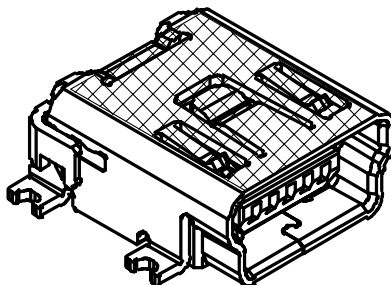
MB-0113-2

July 2006

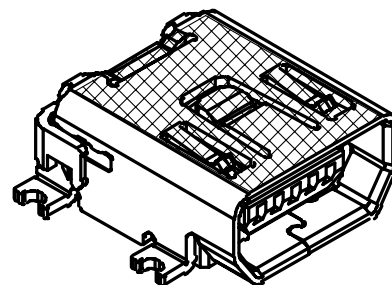
**RoHS Compliant**



**Type A**  
**DX1**



**Type B**  
**DX2**



**Type AB**  
**DX3**

[ Receptacle ]

The DX Series connectors are mini USB connectors conforming to USB2.0 standards.

### Features

- Conforms to Universal Serial Bus Specifications Revision 2.0
- Product lineup for each type (Type A: DX1, Type B: DX2, Type AB: DX3)
- Embossed tape for automatic mounting
- Captone tape for easy adsorption at automatic mounting
- Positioning bosses for board mounting

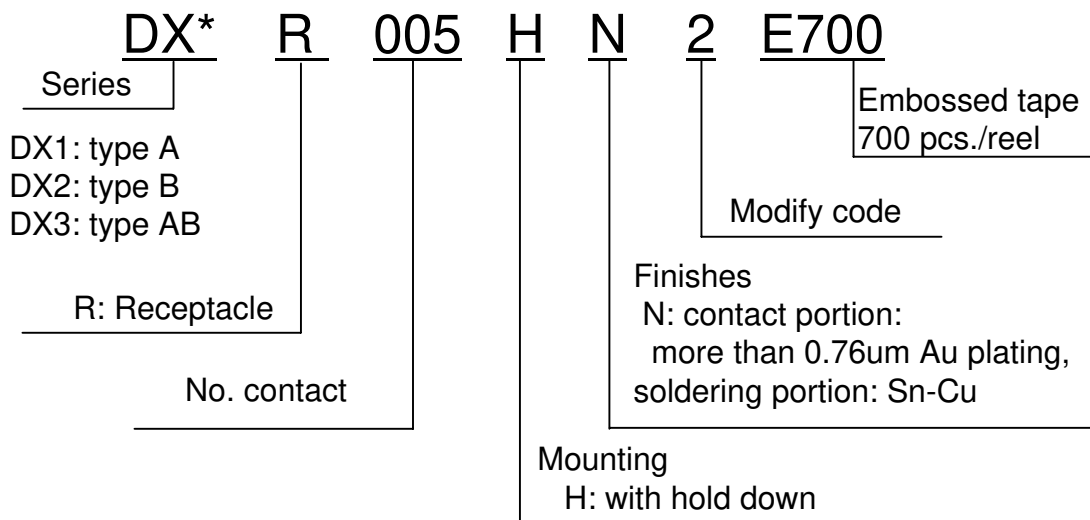
### General Specifications

- |   |  |
|---|--|
| •No. of contacts: 5 pos.  | •Rated current: 1.0A                         |
| •Contact resistance:<br>50m ohm max. (initial)                  | •Rated voltage: AC30V.r.m.s                  |
| •Dielectric withstanding voltage:<br>AC 100 Vr.m.s (per minute) | •Operating temperature :<br>-20 to+60 Deg. C |
| •Insulation resistance:<br>100M ohm min. (initial)              | •Life time: 5,000 cycles                     |

Materials and Finishes

Componets	Materials/Finishes
Contact	Copper alloy/ Contact: Au plating over Ni (0.76um min.) Terminal: Sn-Cu flash over Ni
Insulator	Glass filled nylon
Shell	Copper alloy/ Main unit: Sn plating over Ni Through-hole portion: Sn plating over Ni

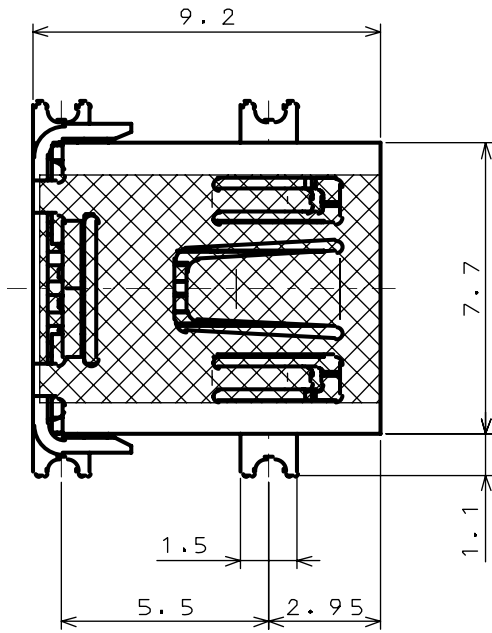
Ordering Information



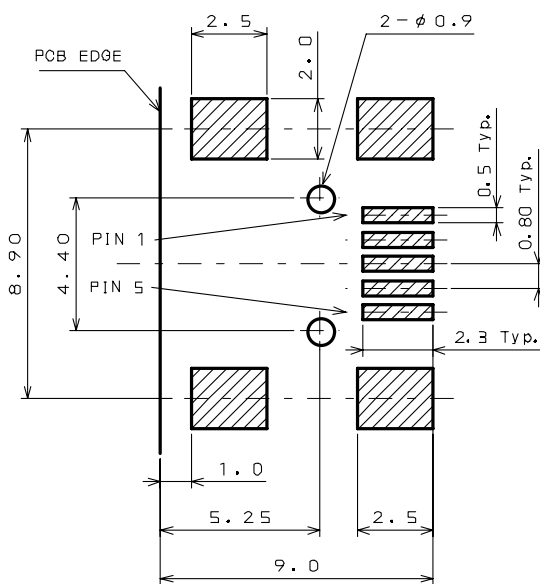
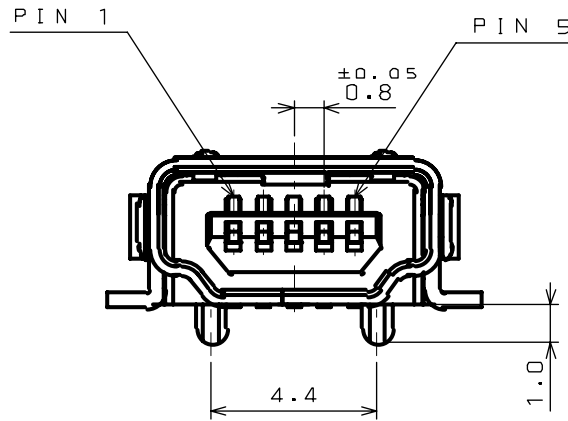
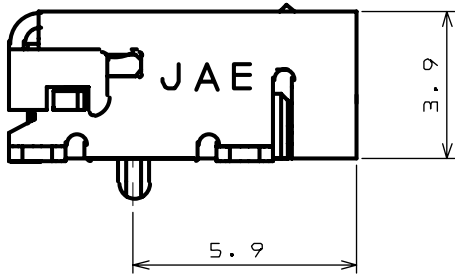
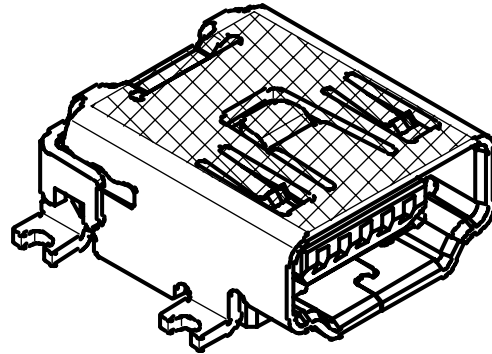
miniUSB Type	Part Number	SJ Drawing	Specification
Type A	DX1R005HN2	SJ101240	JACS-3286
	DX1R005HN2E700	SJ101242	
Type B	DX2R005HN2	SJ037525	
	DX2R005HN2E700	SJ037469	
Type AB	DX3R005HN2	SJ101241	
	DX3R005HN2E700	SJ101243	

\*Please order Embossed reel product.

Receptacle: DX1R005HN2

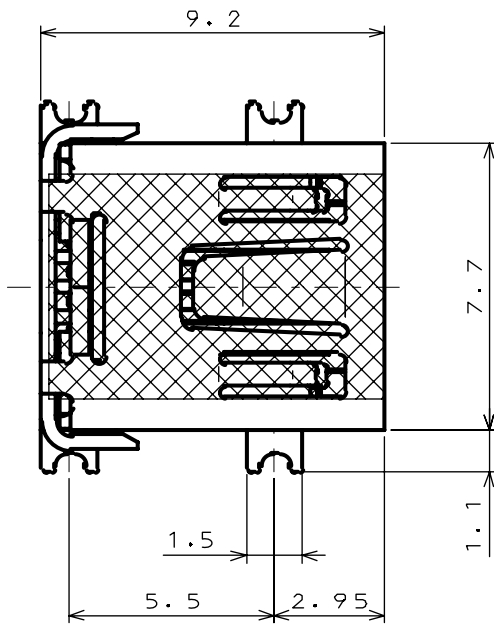


Unit: mm

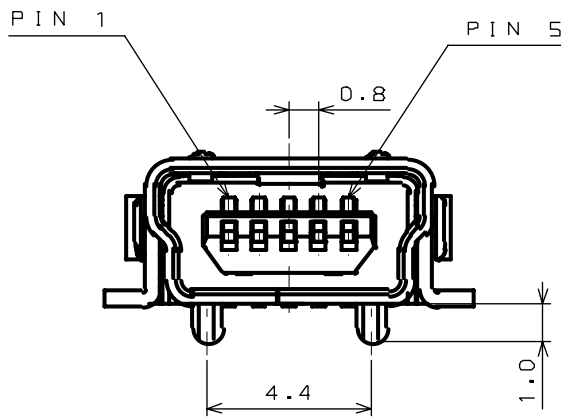
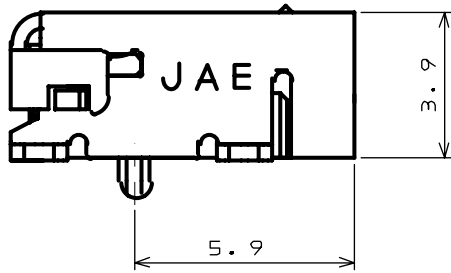
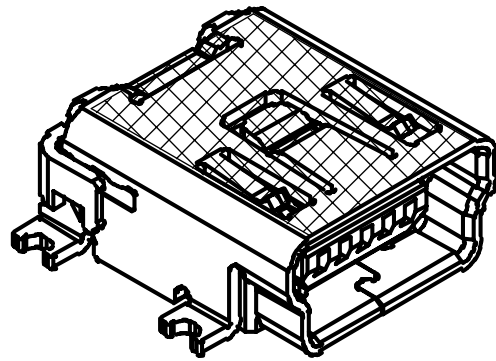


Applicable dimension of board (for reference)

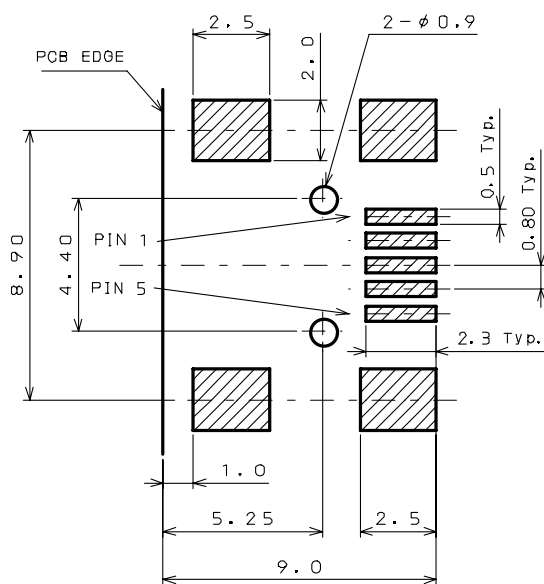
Receptacle: DX2R005HN2



Unit: mm



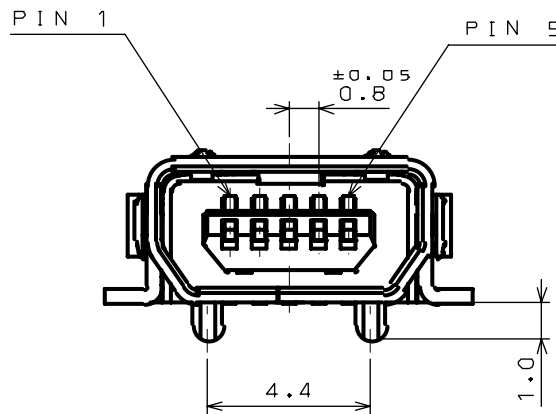
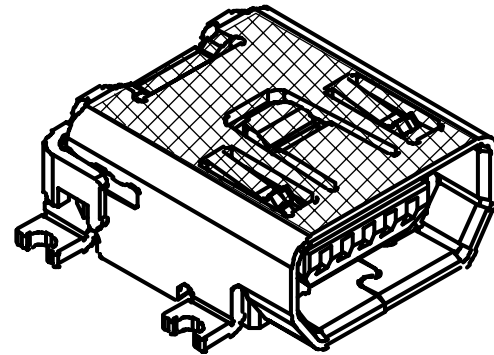
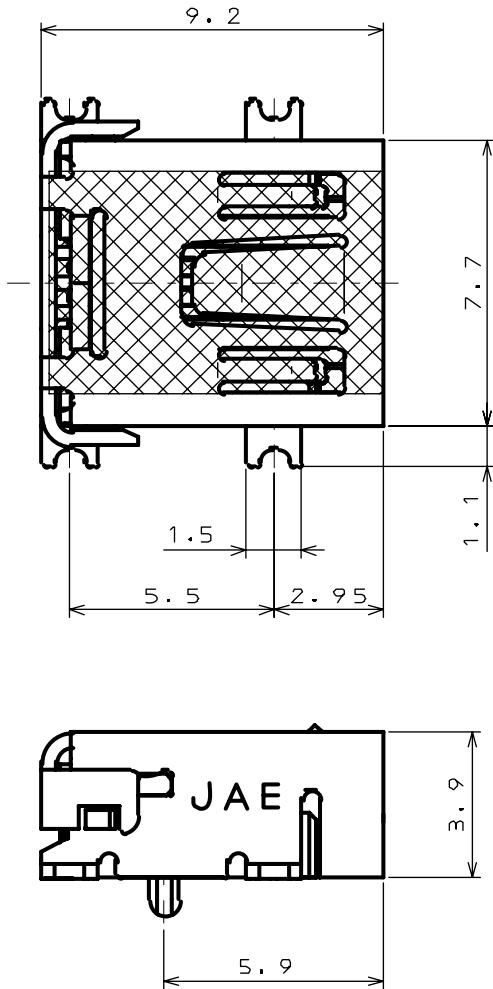
Unit: mm



Applicable dimension of board (for reference)

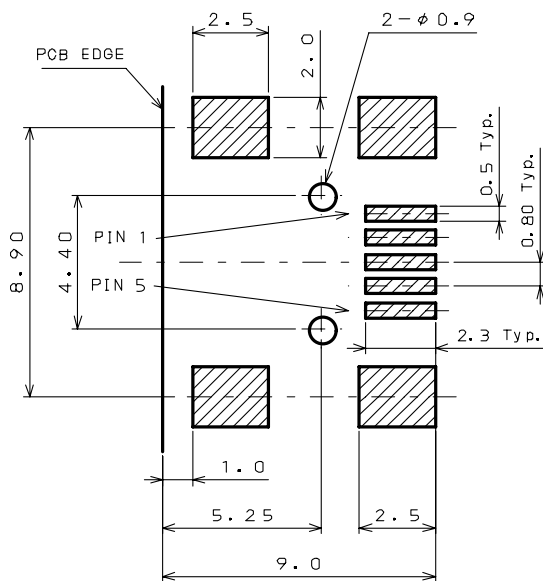
Receptacle: DX3R005HN2

Unit: mm



Unit: mm

Applicable dimension of board (for reference)



**Japan Aviation Electronics Industry, Limited**

Product Marketing Division  
 Aobadai Building, 3-1-19, Aobadai, Meguro-ku, Tokyo 153-8539  
 Phone: +81-3-3780-2787 FAX: +81-3-3780-2946

**Notice:** Products shown in this leaflet are made for the applications listed below. However, if the above-mentioned products are to be used in aerospace devices, marine cable-connection devices, atomic power control systems, medical equipment for life-support systems, or any other specific application requiring extremely high reliability, please contact JAE for further information.  
 Recommended applications: Computers, Office machines, Measuring devices, Telecommunication devices (Terminals, Mobile devices), AV devices, Household applications, FA devices, etc.