



Chipsmall Limited consists of a professional team with an average of over 10 year of expertise in the distribution of electronic components. Based in Hongkong, we have already established firm and mutual-benefit business relationships with customers from,Europe,America and south Asia,supplying obsolete and hard-to-find components to meet their specific needs.

With the principle of “Quality Parts,Customers Priority,Honest Operation,and Considerate Service”,our business mainly focus on the distribution of electronic components. Line cards we deal with include Microchip,ALPS,ROHM,Xilinx,Pulse,ON,Everlight and Freescale. Main products comprise IC,Modules,Potentiometer,IC Socket,Relay,Connector.Our parts cover such applications as commercial,industrial, and automotives areas.

We are looking forward to setting up business relationship with you and hope to provide you with the best service and solution. Let us make a better world for our industry!



Contact us

Tel: +86-755-8981 8866 Fax: +86-755-8427 6832

Email & Skype: info@chipsmall.com Web: www.chipsmall.com

Address: A1208, Overseas Decoration Building, #122 Zhenhua RD., Futian, Shenzhen, China



SJ037525
(DRAWING NO.) 台架型図

版数 REV.	年月日 DATE	DCN NO.	変更内容 DESCRIPTION	製図 DR.	担当 CHK.	査閲 APPD.	承認 APPD.
2	3.Feb.2003	51172	ADDED DESCRIPTION		Y.KUROKI		H.AMEMIYA
3	30.Mar.2004	054624	CHANGED FINISH		Y.KUROKI		H.AMEMIYA
4	2.Jul.2010	070239	CHANGED INS MATERIAL		M.KODERA		K.Nakamura

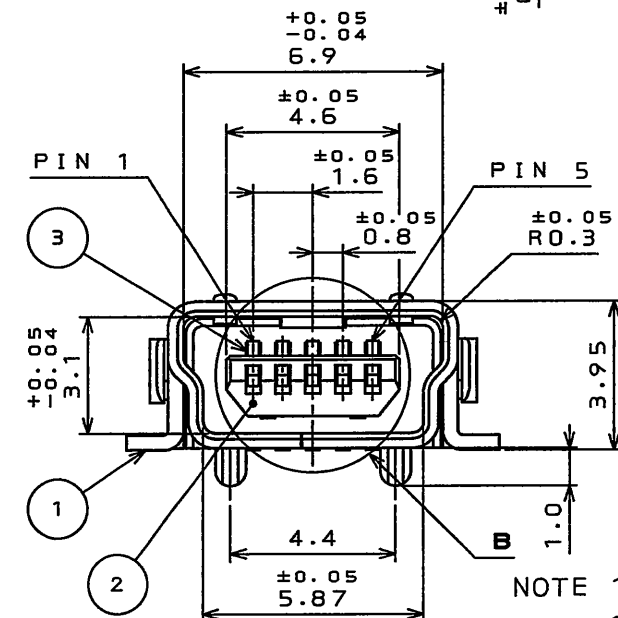
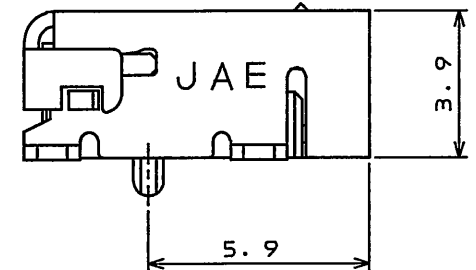
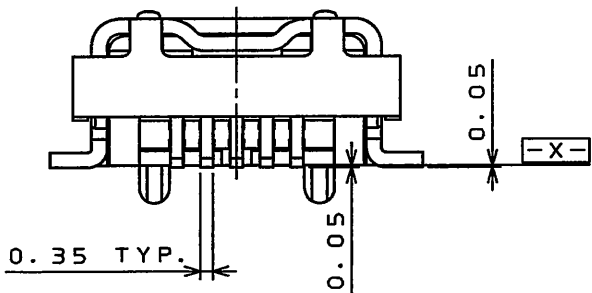
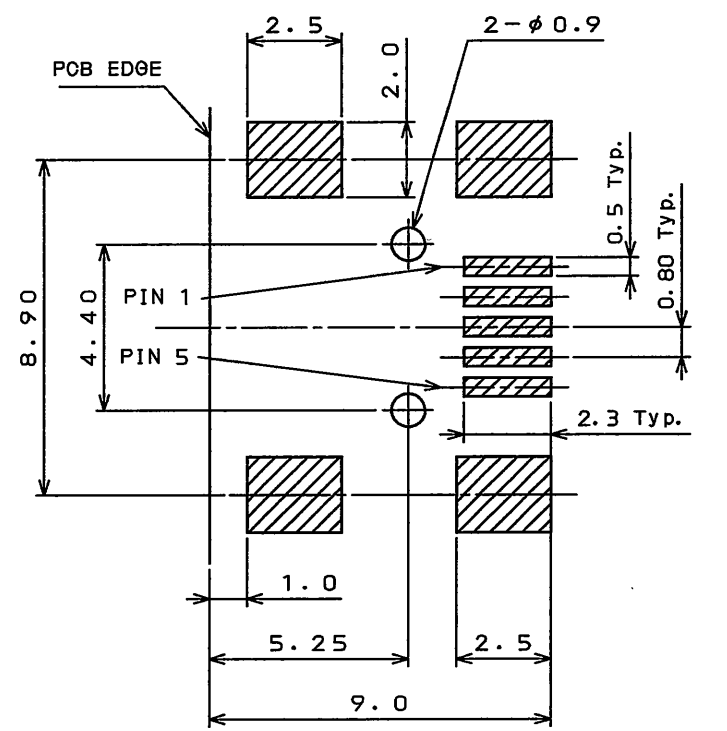
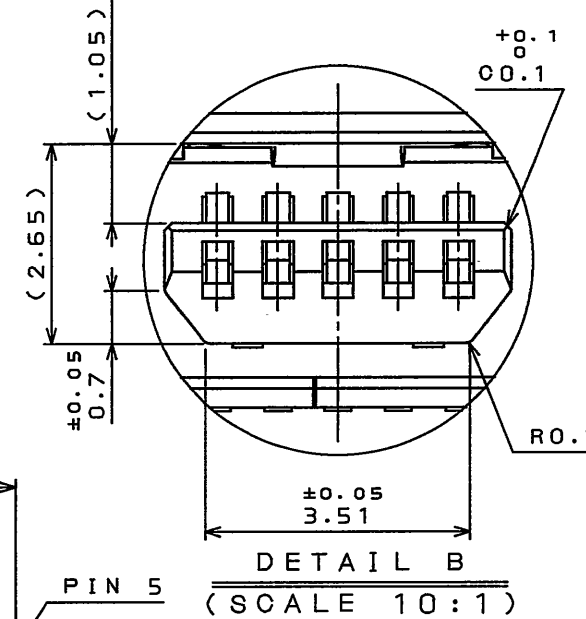
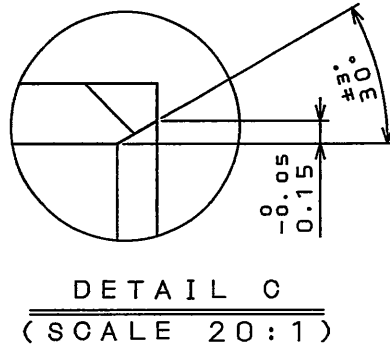
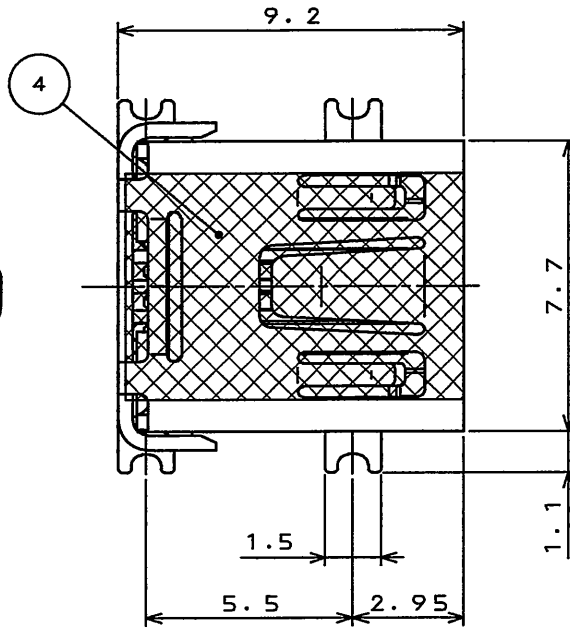
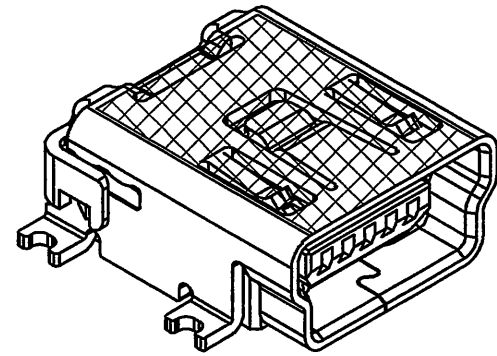
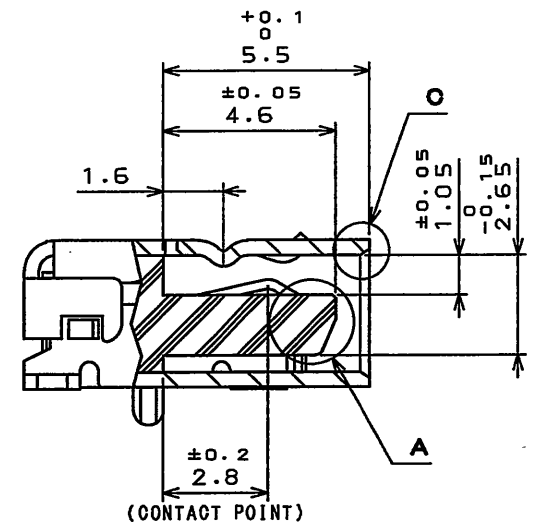
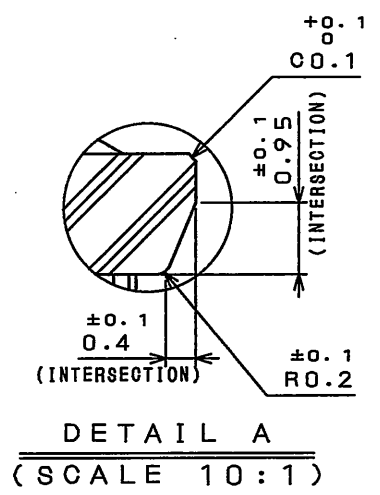


FIGURE A : PRINTED CIRCUIT BOARD LAYOUT

- NOTE 1. RECOMMENDED PC BOARD THICKNESS 0.80mm TO 1.57mm
 2. RECOMMENDED PC BOARD MOUNTING DIMENSION : REFER FIGURE A
 3. SHELL AND CONTACT COPLANARITY IS 0.10mm Max.
- 注 1. 推奨基板厚は0.80mmから1.57mmとする。
 2. 基板パターン寸法は図-Aを参考とする。
 3. SMT寸法公差内におけるシェル及びコンタクトのパラツキは0.1以下とする。



4	MYLAR	1	POLYESTER FILM	
3	CONTACT	5	COPPER ALLOY	CONTACT AREA:GOLD OVER NICKEL TERMINAL AREA:TIN-COPPER PLATING
2	HOUSING	1	GLASS FILLED 6T NYLON	(COLOR:BLACK)
1	SHELL	1	COPPER ALLOY	TIN PLATING
符号 NO.	名称 DESCRIPTION	個数 QTY.	材料 MATERIAL	仕上 FINISH 備考 REMARKS

仕様書(SPECIFICATION) JAGS-3286-E		第1版(ORIGINAL DATE) 30.Oct.2002	尺度(SCALE) 5:1	シリーズ(SERIES) DX	日本航空電子工業株式会社 JAPAN AVIATION ELECTRONICS INDUSTRY, LTD. 図面番号(DRAWING NO.) SJ037525
公差(GENERAL TOLERANCE)		製図 DR.	名称(TITLE) DX2R005HN2		
寸法(DIMENSION)		担当 CHK. Y.KUROKI	MINI USB CONNECTOR		
角度(ANGLES)		査閲 APPD.	MINI-B RECEPTOR R/A SMT TYPE WITH MYLAR TAPE		
. ±0.8	° ±	承認 APPD. H.AMEMIYA	重量(WEIGHT)		版数(REV.) 4
.X ±0.4	°X ±				
.XX ±0.1					
.XXX ±					

DOF-0-212E(03.08)

