



Chipsmall Limited consists of a professional team with an average of over 10 year of expertise in the distribution of electronic components. Based in Hongkong, we have already established firm and mutual-benefit business relationships with customers from,Europe,America and south Asia,supplying obsolete and hard-to-find components to meet their specific needs.

With the principle of “Quality Parts,Customers Priority,Honest Operation,and Considerate Service”,our business mainly focus on the distribution of electronic components. Line cards we deal with include Microchip,ALPS,ROHM,Xilinx,Pulse,ON,Everlight and Freescale. Main products comprise IC,Modules,Potentiometer,IC Socket,Relay,Connector.Our parts cover such applications as commercial,industrial, and automotives areas.

We are looking forward to setting up business relationship with you and hope to provide you with the best service and solution. Let us make a better world for our industry!



## Contact us

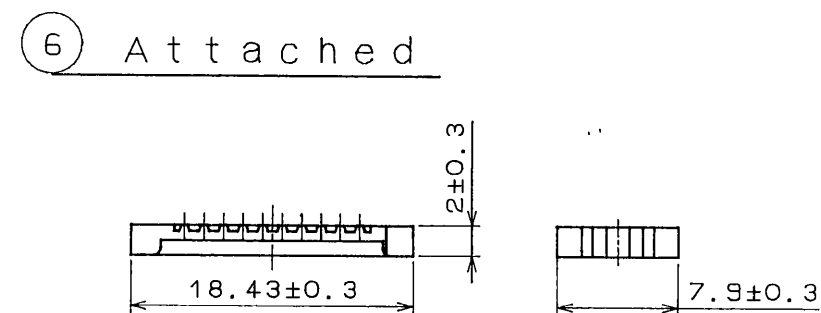
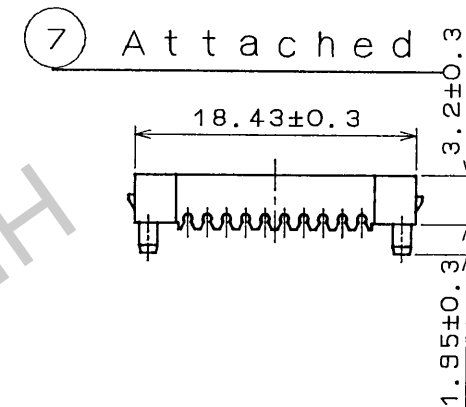
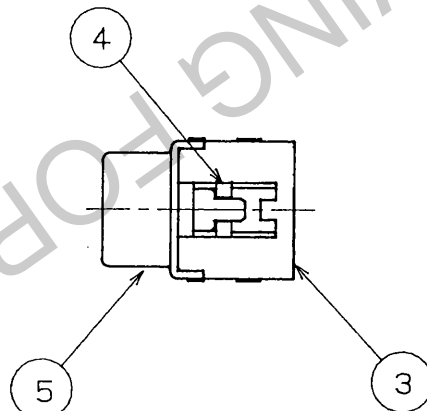
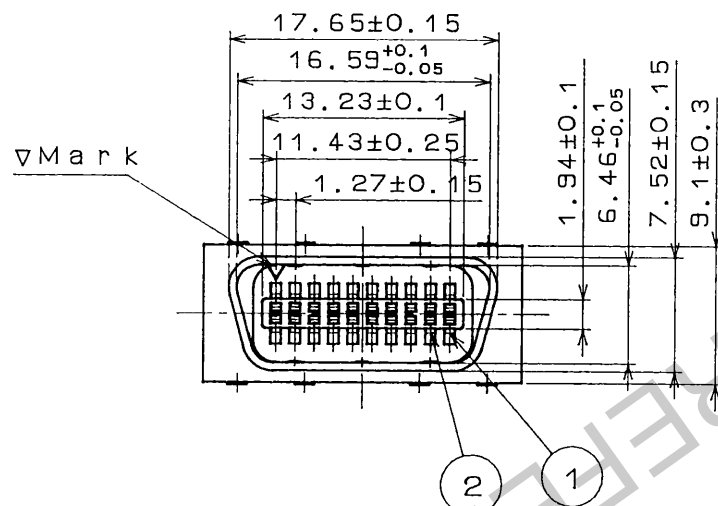
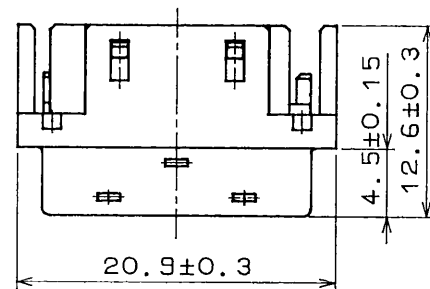
Tel: +86-755-8981 8866 Fax: +86-755-8427 6832

Email & Skype: info@chipsmall.com Web: www.chipsmall.com

Address: A1208, Overseas Decoration Building, #122 Zhenhua RD., Futian, Shenzhen, China



△	△	△	△	△	△	△	△	△	△	△	△	△	△	△	△
△	△	△	△	△	△	△	△	△	△	△	△	△	△	△	△
△															
△															
△															



4	PBT	(Including glass)UL94V-0																											
3	PBT	(Including glass)UL94V-0	7	PBT	(Including glass)UL94V-0																								
2	Beryllium copper	Contact part:Gold plated Insulation depress part:Gold plated	6	PBT	(Including glass)UL94V-0																								
1	Beryllium copper	Contact part:Gold plated Insulation depress part:Gold plated	5	Steel	Nickel plated																								
No.	MATERIAL	FINISH, REMARKS	No.	MATERIAL	FINISH, REMARKS																								
APPROVED	A. Nakagawa	10.4.90	<table border="1"> <thead> <tr> <th colspan="3">GENERAL DIMENSION TOLERANCE</th> </tr> </thead> <tbody> <tr> <td>6 or Less</td> <td>±0.3</td> <td></td> </tr> <tr> <td>over 6 to 18</td> <td>±0.5</td> <td></td> </tr> <tr> <td>over 18 to 50</td> <td>±0.7</td> <td></td> </tr> <tr> <td>over 50 to 125</td> <td>±1</td> <td></td> </tr> <tr> <td>over 125 to 250</td> <td>±1.3</td> <td></td> </tr> <tr> <td colspan="3">ANGULAR</td> </tr> <tr> <td colspan="3">±1°</td> </tr> </tbody> </table>			GENERAL DIMENSION TOLERANCE			6 or Less	±0.3		over 6 to 18	±0.5		over 18 to 50	±0.7		over 50 to 125	±1		over 125 to 250	±1.3		ANGULAR			±1°		
GENERAL DIMENSION TOLERANCE																													
6 or Less	±0.3																												
over 6 to 18	±0.5																												
over 18 to 50	±0.7																												
over 50 to 125	±1																												
over 125 to 250	±1.3																												
ANGULAR																													
±1°																													
REVIEWED	S. Kikuta	10.4.90																											
CHECKED	M. Nakamura	10.4.90																											
DESIGNED	N. NISIMATU	10.4.90																											
DRAWN																													
APPROVED: A. Nakagawa 10.4.90 REVIEWED: S. Kikuta 10.4.90 CHECKED: M. Nakamura 10.4.90 DESIGNED: N. NISIMATU 10.4.90 DRAWN:			HIROSE ELECTRIC CO., LTD. PART NO. DX30AM-20P CODE NO. CL23050257																										
DRAWING No. A/D/C3 42472 UNITS: mm SCALE: 2:1			ISSUED BY:																										