



Chipsmall Limited consists of a professional team with an average of over 10 year of expertise in the distribution of electronic components. Based in Hongkong, we have already established firm and mutual-benefit business relationships with customers from,Europe,America and south Asia,supplying obsolete and hard-to-find components to meet their specific needs.

With the principle of “Quality Parts,Customers Priority,Honest Operation,and Considerate Service”,our business mainly focus on the distribution of electronic components. Line cards we deal with include Microchip,ALPS,ROHM,Xilinx,Pulse,ON,Everlight and Freescale. Main products comprise IC,Modules,Potentiometer,IC Socket,Relay,Connector.Our parts cover such applications as commercial,industrial, and automotives areas.

We are looking forward to setting up business relationship with you and hope to provide you with the best service and solution. Let us make a better world for our industry!



Contact us

Tel: +86-755-8981 8866 Fax: +86-755-8427 6832

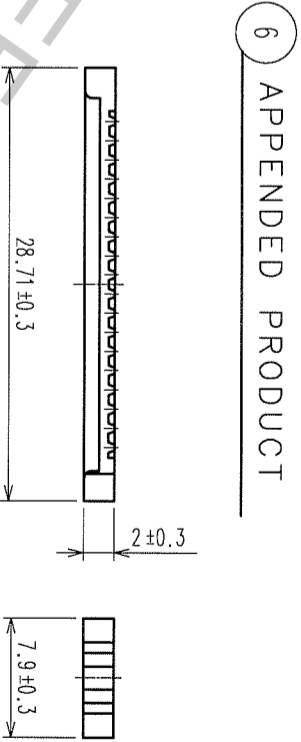
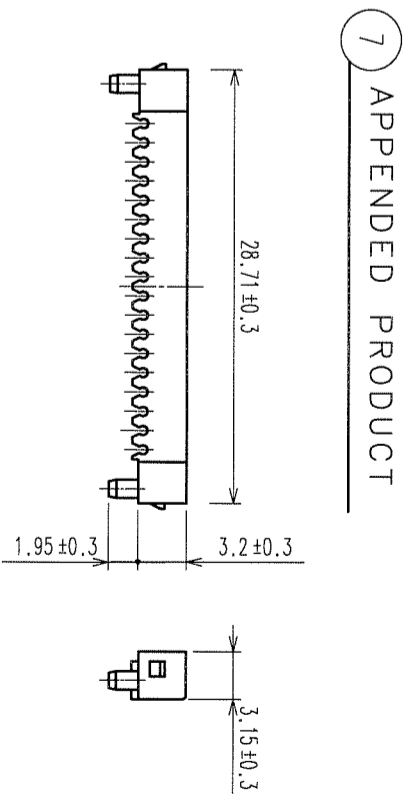
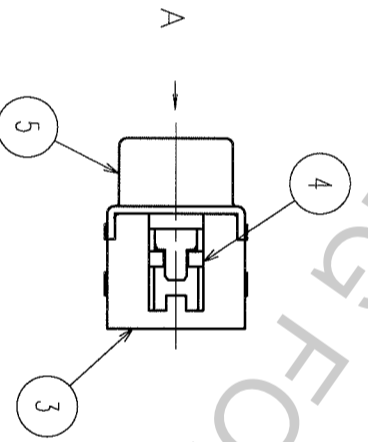
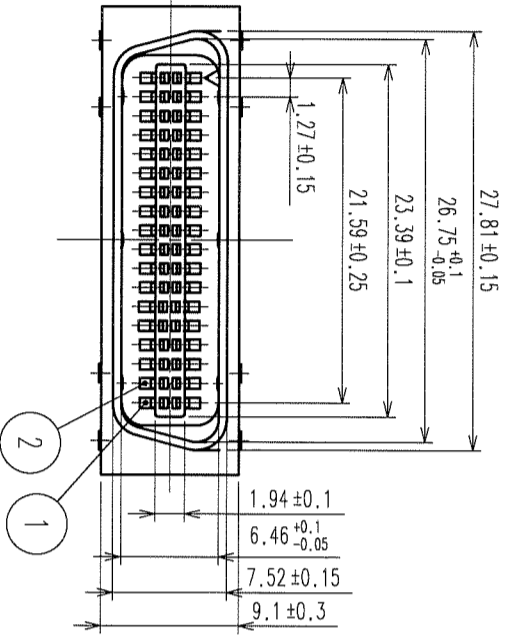
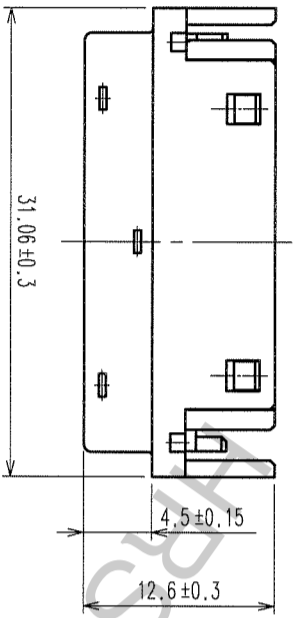
Email & Skype: info@chipsmall.com Web: www.chipsmall.com

Address: A1208, Overseas Decoration Building, #122 Zhenhua RD., Futian, Shenzhen, China



TO
Q1
USA

COUNT	DESCRIPTION OF REVISIONS	BY	CHKD	DATE	COUNT	DESCRIPTION OF REVISIONS	BY	CHKD	DATE
2	DIS-E-000197	Y.S	Y.E	05.08.21					



NOTE 1 FIXING FORCE OF REF. NO. TO BE 100N MIN TO DIRECTION A.

NO.	MATERIAL	FINISH, REMARKS	NO.	MATERIAL	FINISH, REMARKS
4	PBT	(GLASS CONTAINED) UL94V-0	7	PBT	(GLASS CONTAINED) UL94V-0
3	PBT	(GLASS CONTAINED) UL94V-0	6	PBT	(GLASS CONTAINED) UL94V-0
2	BERYLLIUM COPPER ALLOY	CONTACT SECTION: GOLD PLATED	5	STEEL	NICKEL PLATED
1	BERYLLIUM COPPER ALLOY	CONTACT SECTION: GOLD FLASH PLATING			

CODE NO. (OLD)	DRAWN	DESIGNED	CHECKED	APPROVED	RELEASED
	Y. SATO	T. TANIGUCHI	H. MIWA	H. MIWA	
	04.12.10	04.12.10	04.12.10	04.12.10	

SCALE	DRAWING NO.	PART NO.	CODE NO.
2 : 1	EDC3-042474	DX30AM-36P	CL230-5027-2
UNITS	HIROSE ELECTRIC CO., LTD.		
mm			