



Chipsmall Limited consists of a professional team with an average of over 10 year of expertise in the distribution of electronic components. Based in Hongkong, we have already established firm and mutual-benefit business relationships with customers from,Europe,America and south Asia,supplying obsolete and hard-to-find components to meet their specific needs.

With the principle of “Quality Parts,Customers Priority,Honest Operation,and Considerate Service”,our business mainly focus on the distribution of electronic components. Line cards we deal with include Microchip,ALPS,ROHM,Xilinx,Pulse,ON,Everlight and Freescale. Main products comprise IC,Modules,Potentiometer,IC Socket,Relay,Connector.Our parts cover such applications as commercial,industrial, and automotives areas.

We are looking forward to setting up business relationship with you and hope to provide you with the best service and solution. Let us make a better world for our industry!



Contact us

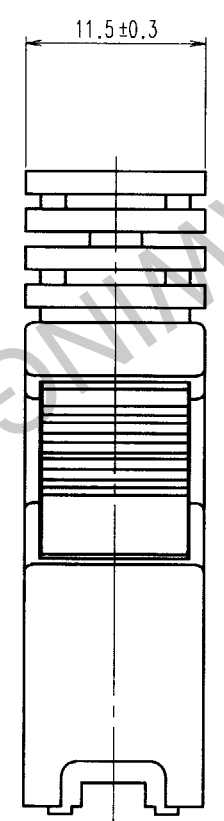
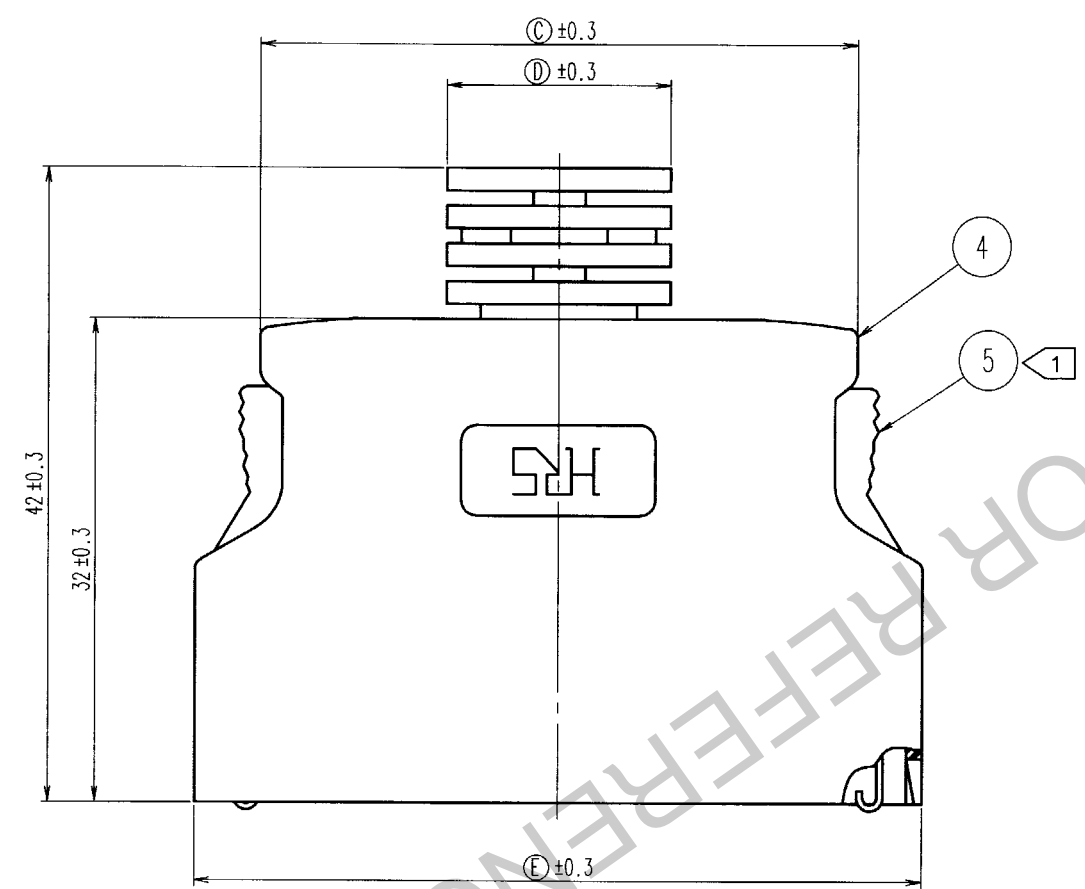
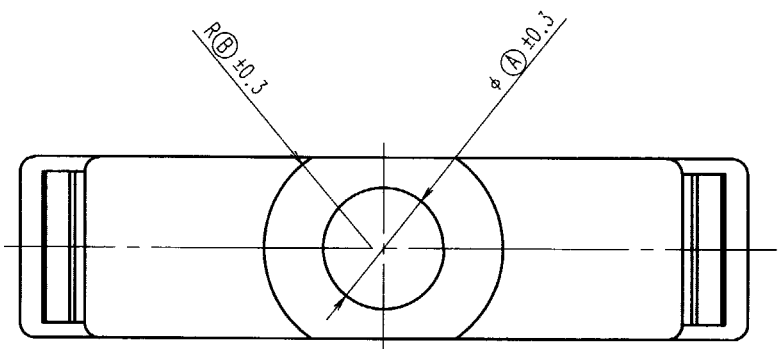
Tel: +86-755-8981 8866 Fax: +86-755-8427 6832

Email & Skype: info@chipsmall.com Web: www.chipsmall.com

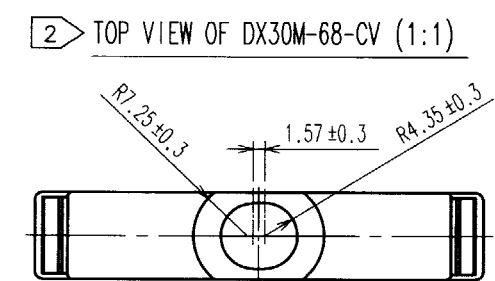
Address: A1208, Overseas Decoration Building, #122 Zhenhua RD., Futian, Shenzhen, China



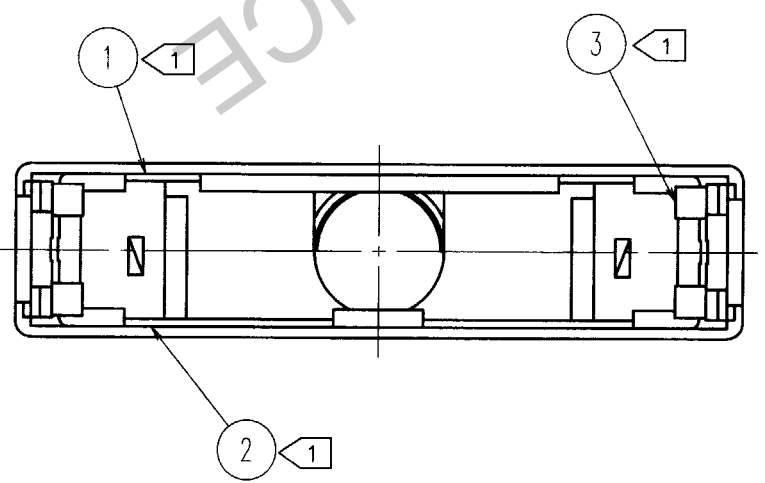
COUNT	DESCRIPTION OF REVISIONS	BY	CHKD	DATE	COUNT	DESCRIPTION OF REVISIONS	BY	CHKD	DATE
△					△				
△					△				
△					△				



PART NO.	PRODUCT CODE	①	②	③	④	⑤
DX30M-14-CV(10)	CL230-5051-7-10	6.30	5.75	17.09	11.50	25.79
DX30M-20-CV(10)	CL230-5052-0-10	6.70	7.25	20.90	14.50	29.60
DX30M-26-CV(10)	CL230-5053-2-10	7.10	7.25	24.80	15.00	33.50
DX30M-36-CV(10)	CL230-5054-5-10	8.10	7.25	31.06	15.75	39.80
DX30M-50-CV(10)	CL230-5055-8-10	8.70	7.25	39.95	16.00	48.70
DX30M-68-CV(10)	CL230-5056-0-10	2		51.38	17.57	60.13



NOTE ① COMPONENTS OF REF. NO. ①②③ AND ⑤ ARE APPENDED.



2	STAINLESS STEEL		5	POLYCARBONATE	(LIGHT BEIGE) UL94V-2
1	STAINLESS STEEL		4	POLYCARBONATE	(LIGHT BEIGE) UL94V-2
			3	STAINLESS STEEL	
NO.	MATERIAL	FINISH, REMARKS	NO.	MATERIAL	FINISH, REMARKS
CODE NO. (OLD)			DRAWN		
			DESIGNED		
			CHECKED		
			APPROVED		
			RELEASED		
			02.4.8		
			02.4.8		
			02.4.8		
			02.04.09		
			..		
DRAWING NO.			PART NO.		
EDC3-123778-01			DX30M-**-CV(10)		
SCALE			CODE NO.		
2 : 1			CL230		
UNITS			1/1		
mm			HRS HIROSE ELECTRIC CO., LTD		

TO
Q1