



Chipsmall Limited consists of a professional team with an average of over 10 year of expertise in the distribution of electronic components. Based in Hongkong, we have already established firm and mutual-benefit business relationships with customers from,Europe,America and south Asia,supplying obsolete and hard-to-find components to meet their specific needs.

With the principle of "Quality Parts,Customers Priority,Honest Operation,and Considerate Service",our business mainly focus on the distribution of electronic components. Line cards we deal with include Microchip,ALPS,ROHM,Xilinx,Pulse,ON,Everlight and Freescale. Main products comprise IC,Modules,Potentiometer,IC Socket,Relay,Connector.Our parts cover such applications as commercial,industrial, and automotives areas.

We are looking forward to setting up business relationship with you and hope to provide you with the best service and solution. Let us make a better world for our industry!



## Contact us

Tel: +86-755-8981 8866 Fax: +86-755-8427 6832

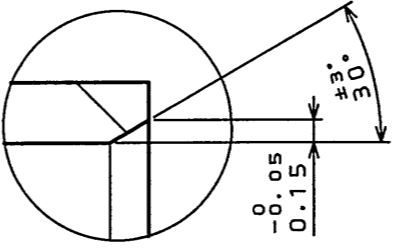
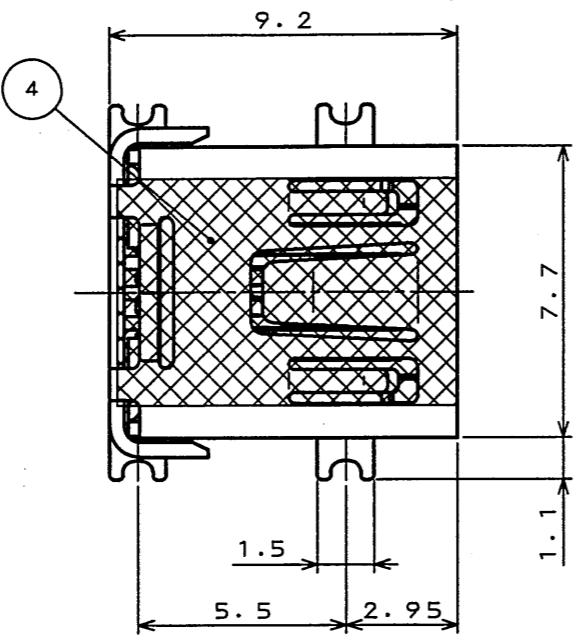
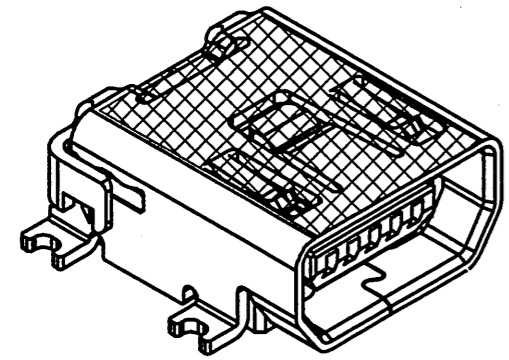
Email & Skype: info@chipsmall.com Web: www.chipsmall.com

Address: A1208, Overseas Decoration Building, #122 Zhenhua RD., Futian, Shenzhen, China

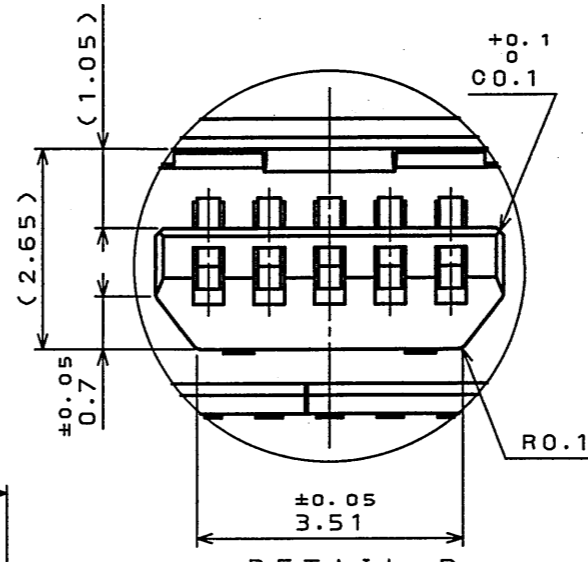


SJ101241  
(ON 0N1MARD) 番 号 (DRAWING NO.)

版 数 REV.	年 月 日 DATE	DCN NO.	変 更 内 容 DESCRIPTION	製 図 DR.	担 当 CHK.	査 閲 APPD.	承 認 APPD.
2	17.May.2004	055087	CORRECTION		Y.KUROKI	—	H.Amemiya



DETAIL C  
(SCALE 20:1)



DETAIL B  
(SCALE 10:1)

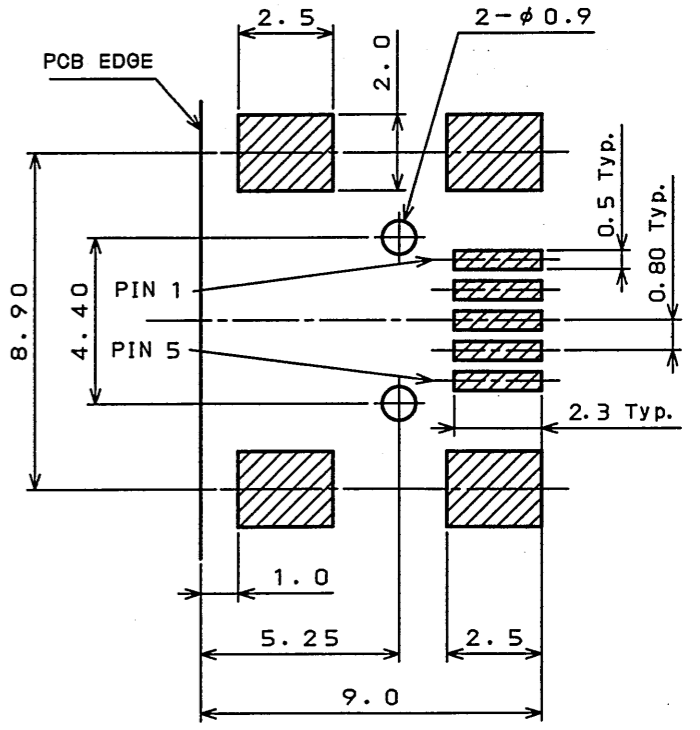
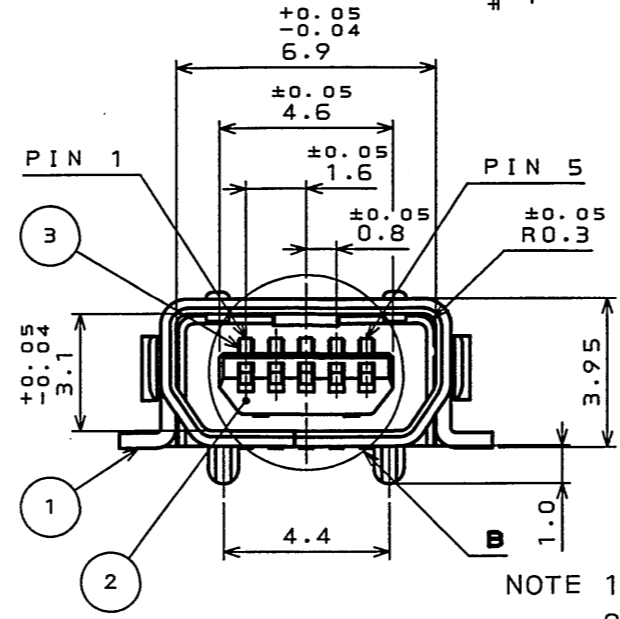
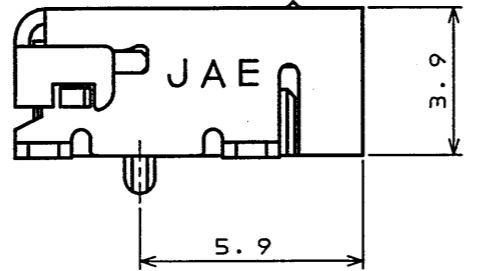
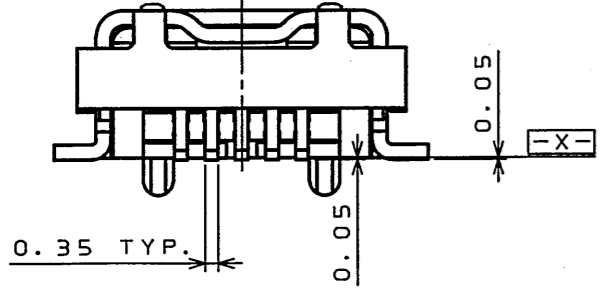
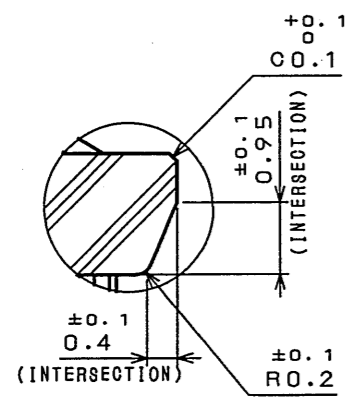


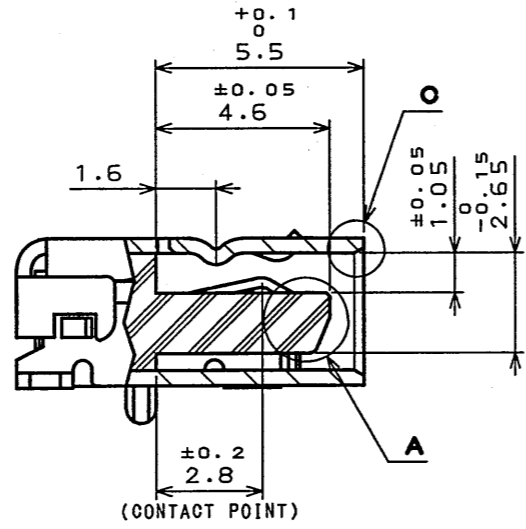
FIGURE A : PRINTED CIRCUIT BOARD LAYOUT



- NOTE 1. RECOMMENDED PC BOARD THICKNESS 0.80mm TO 1.57mm  
 2. RECOMMENDED PC BOARD MOUNTING DIMENSION : REFER FIGURE A  
 3. SHELL AND CONTACT COPLANARITY IS 0.10mm Max.
- 注 1. 推奨基板厚は0.80mmから1.57mmとする。  
 2. 基板パターン寸法は図-Aを参考とする。  
 3. SMT寸法公差内におけるシェル及びコンタクトのハ ラツキは0.1以下とする。



DETAIL A  
(SCALE 10:1)



4	MYLAR	1	POLYESTER FILM		
3	CONTACT	5	COPPER ALLOY	CONTACT AREA:GOLD OVER NICKEL TERMINAL AREA:TIN-COPPER PLATING	GOLD:0.76μmMin.
2	HOUSING	1	GLASS FILLED 6T NYLON	(COLOR:GRAY) Δ	UL 94V-0 RATED
1	SHELL	1	COPPER ALLOY	TIN PLATING	

符号 NO.	名 称 DESCRIPTION	個 数 QTY.	材 料 MATERIAL	仕 上 FINISH	備 考 REMARKS
仕様書 (SPECIFICATION) JACS-3286-E					
第1版 (ORIGINAL DATE) 11.May.2004			尺 寸 (SCALE) 5:1		
製 図 DR.		担 当 CHK. Y.KUROKI		名 称 (TITLE) DX3R005HN2	
査 閲 APPD.		承 認 APPD. H.AMEMIYA		MINI-USB CONNECTOR MINI-AB RECEPTOR R/A SMT TYPE WITH MYLAR TAPE	
公差 (GENERAL TOLERANCE)				重 量 (WEIGHT)	
寸 法 (DIMENSION)		角 度 (ANGLES)		JAE CONNECTOR DIV. PROPRIETARY.	
. ±0.8		X° ±		COPYRIGHT (C) 2004, JAPAN AVIATION ELECTRONICS INDUSTRY, LTD.	
.X ±0.4		X°X' ±			
.XX ±0.1					
.XXX ±					
				JAE ELECTRONICS INDUSTRY, LTD.	
				図面番号 (DRAWING NO.) SJ101241	
				版数 (REV.) 2	

DOF-0-212E(03.08)

