



Chipsmall Limited consists of a professional team with an average of over 10 year of expertise in the distribution of electronic components. Based in Hongkong, we have already established firm and mutual-benefit business relationships with customers from,Europe,America and south Asia,supplying obsolete and hard-to-find components to meet their specific needs.

With the principle of “Quality Parts,Customers Priority,Honest Operation,and Considerate Service”,our business mainly focus on the distribution of electronic components. Line cards we deal with include Microchip,ALPS,ROHM,Xilinx,Pulse,ON,Everlight and Freescale. Main products comprise IC,Modules,Potentiometer,IC Socket,Relay,Connector.Our parts cover such applications as commercial,industrial, and automotives areas.

We are looking forward to setting up business relationship with you and hope to provide you with the best service and solution. Let us make a better world for our industry!



Contact us

Tel: +86-755-8981 8866 Fax: +86-755-8427 6832

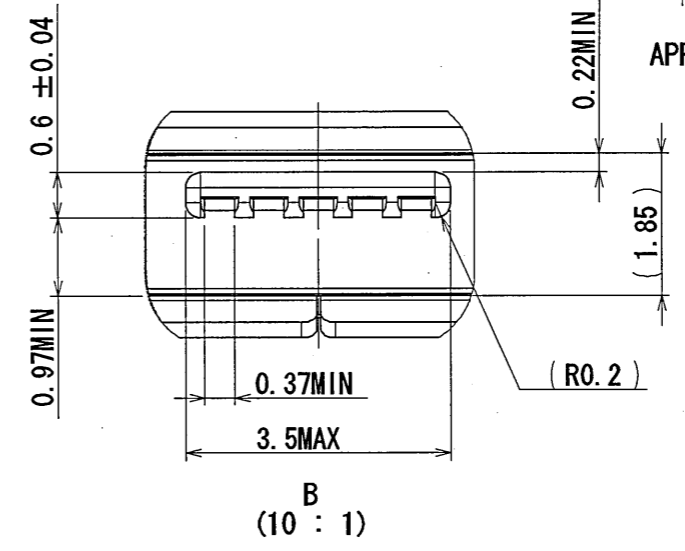
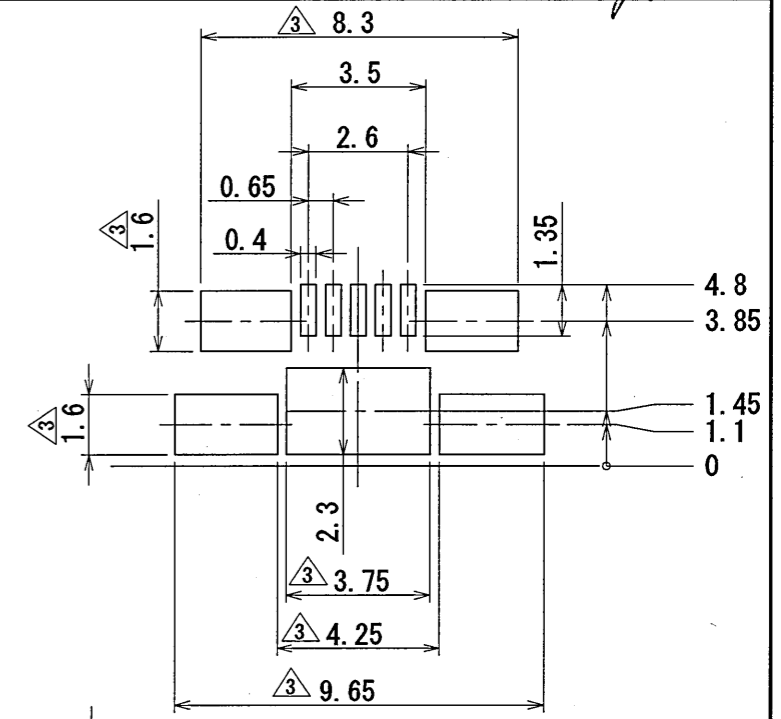
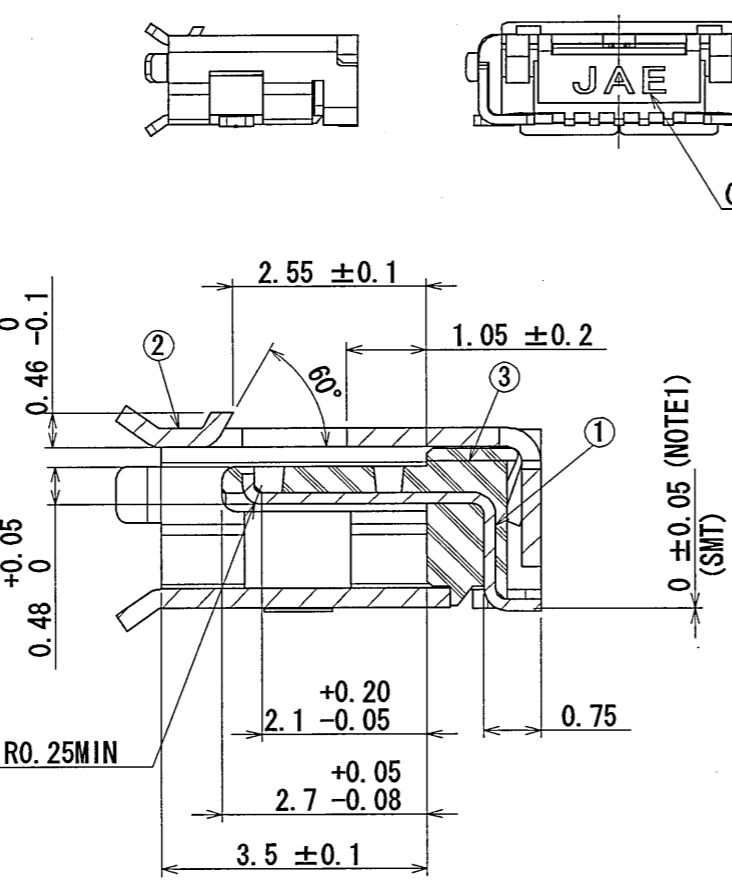
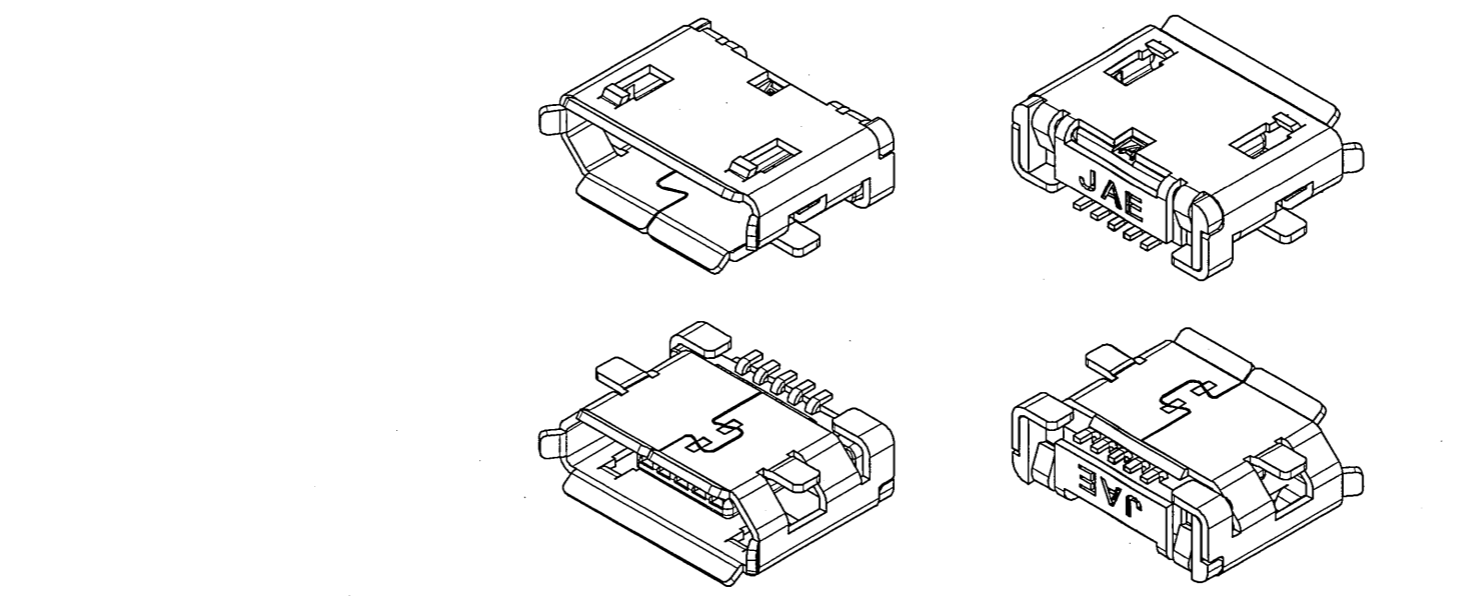
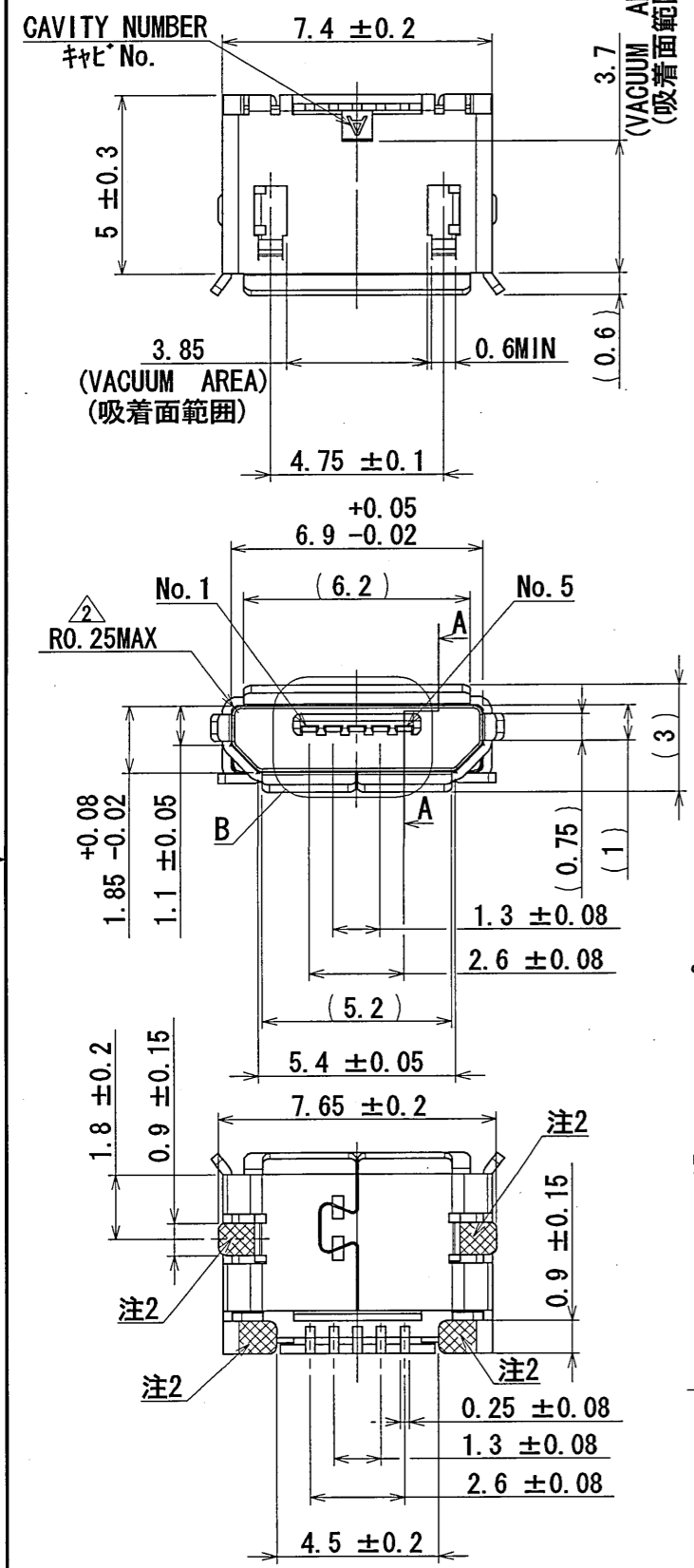
Email & Skype: info@chipsmall.com Web: www.chipsmall.com

Address: A1208, Overseas Decoration Building, #122 Zhenhua RD., Futian, Shenzhen, China



版数 REV.	年月日 DATE	DCN NO.	変更内容 DESCRIPTION	製図 DR.	担当 CHK.	査閲 APPD.	承認 APPD.
2	13/OCT/2006	061314	CHANGE DIMENSION		O. TAKAGI	—	Y. KUBOTA
3	24/OCT/2007	063825	CHANGE P. C. B. DIMENSION.		O. TAKAGI	—	<i>J. Kubota</i>

680Z01PS
(ON DIM)各異図



NOTE1. COPLANALITY OF SMT TERMINAL AND HOLD-DOWN IS 0.08MAX.
NOTE2. THIS FACE IS BASE.
注1. 本コネクタのSMT端子及びホールドダウン寸法のバラツキ(1コネクタ内のMAX値とMIN値の差:コプラナリティ)は0.08以下とする。
注2. この面は基準面である。

3	INSULATOR	1	9T NYLON	COLOR : BLACK	UL94V-0
2	SHELL	1	STAINLESS STEEL	TIN OVER NICKEL	
1	CONTACT	5	COPPER ALLOY $\Delta 2$	CONTACT AREA: GOLD OVER NI-Pd TERMINAL AREA: GOLD OVER NI	GOLD: 0.05 μ mMin. Ni-Pd: 0.75 μ mMin. GOLD FLASH: 0.05~0.1 μ m
符号 NO.	名称 DESCRIPTION	数量 QTY.	材料 MATERIAL	仕上 FINISH	備考 REMARKS
仕様書(SPECIFICATION) JACS-30097			第1版(ORIGINAL DATE) 04/SEP/2006	尺度(SCALE) 5:1	シリーズ(SERIES) DX
一般公差(GENERAL TOLERANCE)			製図 DR.	名称(TITLE) DX4R005H91	
寸法(DIMENSION)			担当 CHK.	日本航空電子工業株式会社	
角度(ANGLES)			査閲 APPD.	JAE JAPAN AVIATION ELECTRONICS INDUSTRY, LTD.	
. ± 0.8			承認 APPD.	図面番号(DRAWING NO.)	
. × ± 0.4			承認 APPD.	SJ107089	
. × × ± 0.1			承認 APPD.	版数 (REV.)	
. × × × ±			質量(MASS)	3	

DCF-C-212F (05.08)

