



Chipsmall Limited consists of a professional team with an average of over 10 year of expertise in the distribution of electronic components. Based in Hongkong, we have already established firm and mutual-benefit business relationships with customers from,Europe,America and south Asia,supplying obsolete and hard-to-find components to meet their specific needs.

With the principle of "Quality Parts,Customers Priority,Honest Operation,and Considerate Service",our business mainly focus on the distribution of electronic components. Line cards we deal with include Microchip,ALPS,ROHM,Xilinx,Pulse,ON,Everlight and Freescale. Main products comprise IC,Modules,Potentiometer,IC Socket,Relay,Connector.Our parts cover such applications as commercial,industrial, and automotives areas.

We are looking forward to setting up business relationship with you and hope to provide you with the best service and solution. Let us make a better world for our industry!



Contact us

Tel: +86-755-8981 8866 Fax: +86-755-8427 6832

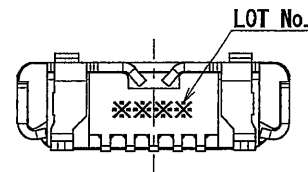
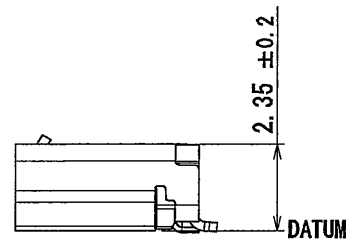
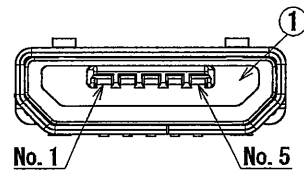
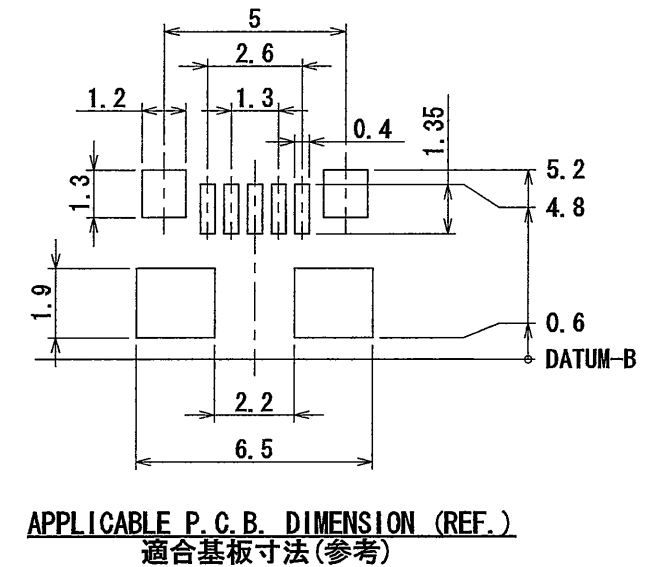
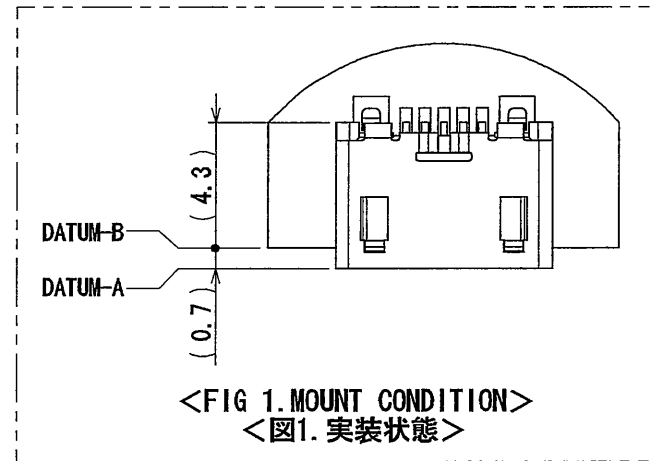
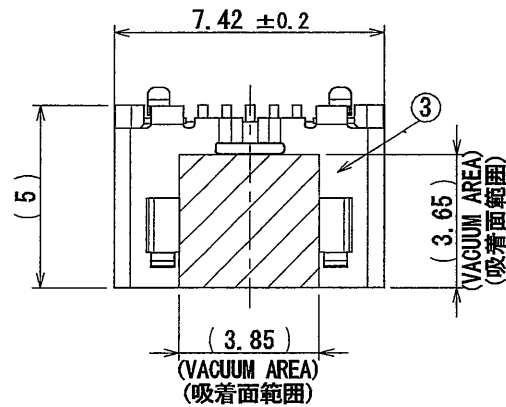
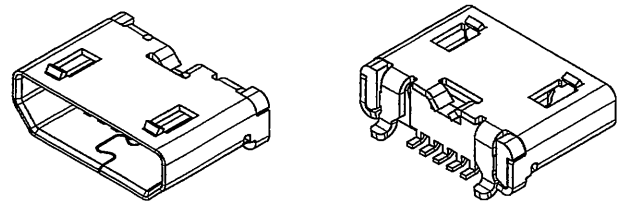
Email & Skype: info@chipsmall.com Web: www.chipsmall.com

Address: A1208, Overseas Decoration Building, #122 Zhenhua RD., Futian, Shenzhen, China



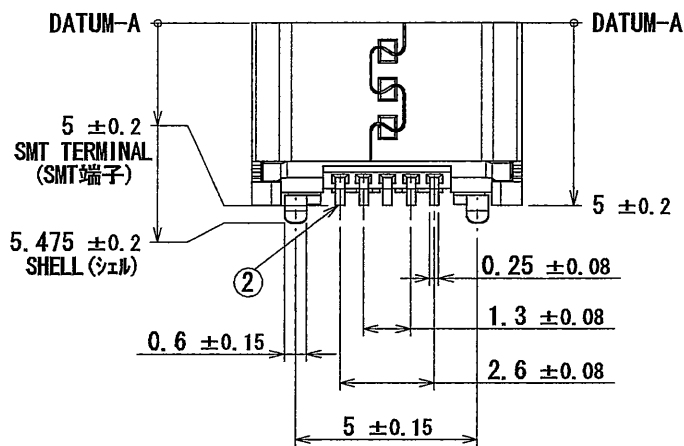
SJ11770
(DRAWING NO.) 台番号

版数 REV.	年月日 DATE	図番 DCN NO.	変更内容 DESCRIPTION	製図 DR.	担当 CHK.	査閲 APPD.	承認 APPD.
------------	-------------	---------------	---------------------	-----------	------------	-------------	-------------



NOTE 1. COPLANARITY OF SMT TERMINAL AND HOLD DOWN IS 0.1MAX.
NOTE 2. THIS CONNECTOR CONSISTS OF "Universal Serial Bus Micro-USB Cable and Connector Specification Revision 1.01"

注1. 本コネクタのSMT端子とホルムダウンのバラツキ(1コネクタ内のMAX値とMIN値の差:コホバラツキ)は0.1以下とする。
注2. 本コネクタの開口部寸法は、"Universal Serial Bus Micro-USB Cable and Connector Specification Revision 1.01"による。



3	SHELL	1	STAINLESS STEEL	TIN OVER NICKEL	t0.25
2	CONTACT	5	COPPER ALLOY	CONTACT AREA: GOLD OVER Pd-NI TERMINAL AREA: GOLD FLASH OVER NI	GOLD PLATING: 0.05 μmMIN Ni-Pd PLATING: 0.75 μmMIN GOLD FLASH PLATING: 0.05~0.1 μm
1	INSULATOR	1	LGP	COLOR: BLACK	UL94
符号 No.	名 称 DESCRIPTION	個数 QTY.	材 料 MATERIAL	仕 上 FINISH	備 考 REMARKS

仕様書(SPECIFICATION) JACS-30185		第1版(ORIGINAL DATE) 24/MAY/2011		尺度(SCALE) 5:1	シリーズ(SERIES) DX4	日本航空電子工業株式会社
一般公差(GENERAL TOLERANCE)		製図 DR.		名称(TITLE) DX4R005HJ5		
寸法(DIMENSION)		担当 CHK. M. NISHIKATA		JAE JAPAN AVIATION ELECTRONICS INDUSTRY, LTD.		
角度(ANGLES)		査閲 APPD.		図面番号(DRAWING NO.) SJ11770		
. ±0.8		承認 APPD. a. Natori		版数 (REV.) 1		
. × ±0.4		質量(MASS)		製図 DR.		
. × × ±0.1				製図 DR.		
. × × × ±				製図 DR.		

DGF-C-212F (05.08)

